

# Bestway®



EN  
PT  
ES  
DE  
FI  
NL  
IT  
FR  
EL  
RU  
PL  
HU  
SV

## 58622 OWNER'S MANUAL

[bestwaycorp.com/support](http://bestwaycorp.com/support)


Visit Bestway YouTube channel 



## OWNER'S MANUAL

### IMPORTANT SAFETY INSTRUCTIONS

PLEASE READ THE FOLLOWING SAFETY WARNINGS AND THE INSTRUCTIONS CAREFULLY BEFORE USING THE APPLIANCE AND KEEP FOR FUTURE REFERENCE

- This is not a TOY. Children should be kept out of reach from this robot and its accessories.
- Never allow children to operate this product.
- This robot is not intended for use by someone with reduced physical, sensory or mental capabilities or a lack of experience and knowledge unless they have been given instructions concerning the appliance and are under supervision of the person responsible for their safety.
- Make sure the robot is fully immersed in the water before operation. The minimum water level required to operate the robot must reach above the swivel head of the robot. Operating the robot when it is not immersed in the water correctly could damage the unit and void the warranty as a result.
- Maximum operating depth in water is 3 meters (10 ft.).
- Operating water temperature: 5°C (41°F) - 35°C (95°F).
- Only use the detachable supply unit (external adaptor) provided with this robot to charge the battery.
-  Detachable supply unit (external adaptor).
- For the purposes of recharging the battery, only use the detachable supply unit (external adaptor : DSS18-0842000-B / DSS18-0842000-C) and charging base that provided with this robot to charge the battery.
- **WARNING** - This appliance can be used by children aged from 8 years and above and persons with reduced physical, sensory or mental capabilities or lack of experience and knowledge if they have been given supervision or instruction concerning use of the appliance in a safe way and understand the hazards involved. Children shall not play with the appliance. Cleaning and user maintenance shall not be made by children without supervision. (For EU market)
- **WARNING** - This appliance is not intended for use by persons (including children) with reduced physical, sensory or mental capabilities, or lack of experience and knowledge, unless they have been given supervision or instruction concerning use of the appliance by a person responsible for their safety. Children should be supervised to ensure that they do not play with the appliance. (For market other than EU)
- Connect the external adaptor to a power source through a residential current device (RCD) / a ground fault circuit interrupter (GFCI). If in doubt, consult a qualified professional electrician.
- Do not use this robot if any damage is detected.
- Replace damaged parts as soon as possible. Only use parts certified by the distributor or manufacturer.
- Turn off the robot, disconnect the external adaptor from the power source, and unplug the external adaptor from the charging base, before detaching the robot from the charging base.
- Disconnect the pump from the supply mains before carrying out user maintenance such as cleaning the filter.
- The battery installes is a rechargeable Li-ion battery pack. Nevel attempt to replace with this product.
- The robot is only to be recharged with external adaptor and charging base delivered with this product.
- DO NOT handle the robot, external adaptor and charging base while it is charging with wet limbs and without shoes.
- You should not operate this robot when people/pets are present in the water.
- DO NOT use this robot without an intact filter in place, otherwise your warranty will be voided as a result.
- Suction entrapment hazard: This robot genrates suction. Do not allow hair, body, and any loose parts of your clothing to make contact with the suction hole of the robot during its operation.
- Never insert body parts, clothing and other objects into the openings and moving parts of the robot.
- DO NOT use this robot to pick up any toxic substance, flammable and combustible liquids such as gasoline, and in the presence of explosive or flammable fumes.
- Under no circumstances should you attempt to disassemble the robot and replace the impeller, motor, and battery by yourself.
- Never insert fingers and any object to touch the impeller.
- This robot shall not be used by children.
- The battery must be removed from the robot before it is scrapped.
- This robot contains a battery that are only to be removed by skilled persons.
- The robot must be disconnected from the supply mains as the battery is removed.
- For detail regarding battery dsiposal, refer to the section "Battery Disposal" in this manual.
- The battery must be disposed safely in accordance with local ordinances or regulations.
- The robot contains a maintenance-free, rechargeable lithium-ion battery pack, which must be disposed

properly. Recycling is required; please contact your local authorities for more information.

- External adaptor and charging base:
  - Never use the external adaptor and charging base for anything other than charging the battery of the robot that is supplied in the same pack.
  - The external adaptor and charging base should not be used outdoors, nor should it be exposed to rain, humidity, any liquid or heat.
  - The transformer (or external adaptor) is to be located outside zone 1.
  - Keep the external adaptor and charging base out of reach of children.
  - Never use the external adaptor and charging base if any damage is detected.
  - DO NOT handle the external adaptor and charging base with wet hands.
  - Keep the external adaptor disconnected from power when it is not in use.
  - Never attempt to open the external adaptor.
  - If the supply cord is damaged, it must be replaced by the manufacturer, its service agent or an equally-qualified person in order to prevent hazards of any kind.
  - Make sure the robot is completely dry before charging.

**BATTERY DISPOSAL:**

Recycling is required, please contact your local authority for information.

- The battery must be removed from the pool vacuum before it is scrapped.
- The pool vacuum must be disconnected from the supply mains (electrical outlet) when removing the battery.
- The battery must be disposed of safely and properly.

**CAUTION!**

- This robot is designed for underwater use only; it is not an all-purpose vacuum cleaner. DO NOT attempt to use it to clean anything other than your pool.
- Use only original accessories delivered with this product.
- DO NOT use this robot right after pool-shocking. It is recommended to first leave the pool circulating for at least 24-48 hours.
- If you are planning on using the robot in a saltwater pool, make sure all salt are dissolved before placing it into the water.
- It is not recommended to use this robot with another automatic cleaner/cleaner simultaneously.
- Avoid picking up hard, sharp objects with this product which may damage the robot and filter.
- To avoid damaging the external adaptor and charging base, do not attempt to carry the robot by the cable of external adaptor or pull the cable to disconnect it from

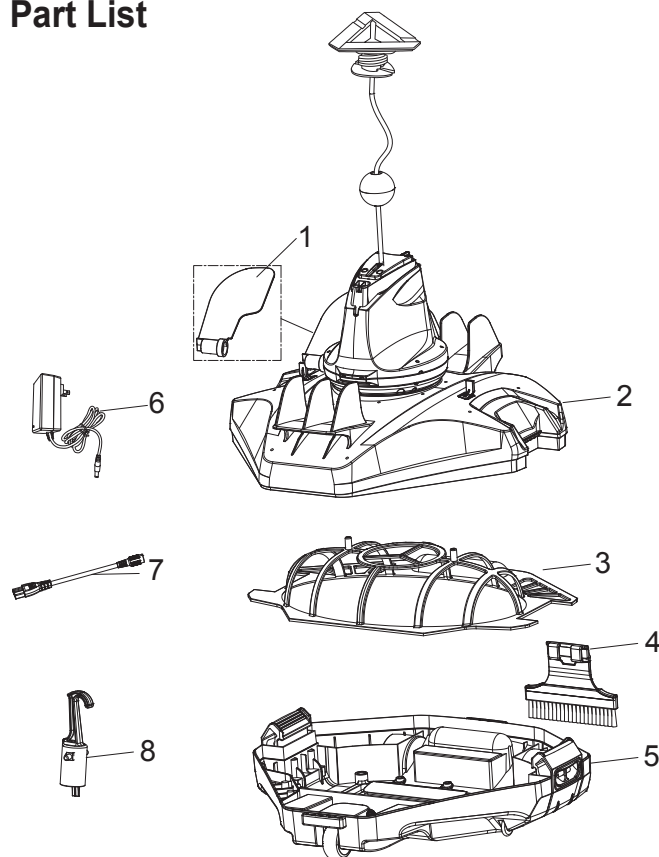
the power source and charging base.

- Charge the robot indoors in a clean, dry area with good ventilation and away from sunlight.
- DO NOT leave the robot charged for over 10 hours.
- If the robot will not be used for an extended period, detach it from the charging base and use a damp cloth to clean and dry the robot and its accessories. Make sure to charge the robot to about 30% to 50% of the battery capacity before it is stored. Store in a well-ventilated area away from sunlight, heat, ignition sources, pool chemicals, and children. Recharge the robot every three months.
- All actions concerning the disassembly of the swivel head (ie. battery disposal) can only be carried by an authorized technician.

**Above warnings and cautions are not intended to incorporate all possible instances for risks and / or severe injuries.** Pool / spa owners should always exercise extra caution and common sense when utilizing the product.

**SAVE THESE INSTRUCTIONS**

**Part List**



Part No.	Part Code	QTY
1	P05700	1
2	P05626	1
3	P05628	1
4	P05632	1
5	P05627	1
6	P05696	1
7	P03880	1
8	P03879	1

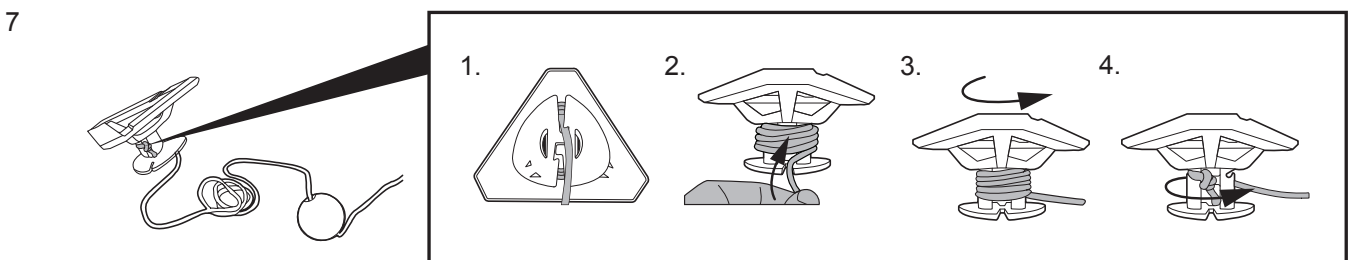
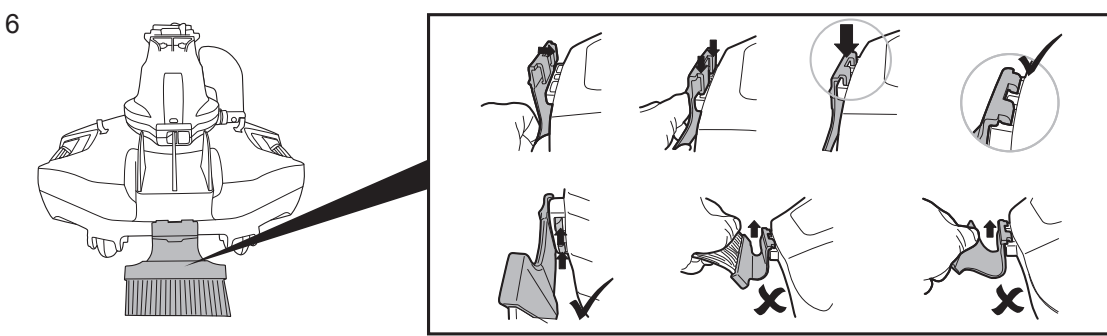
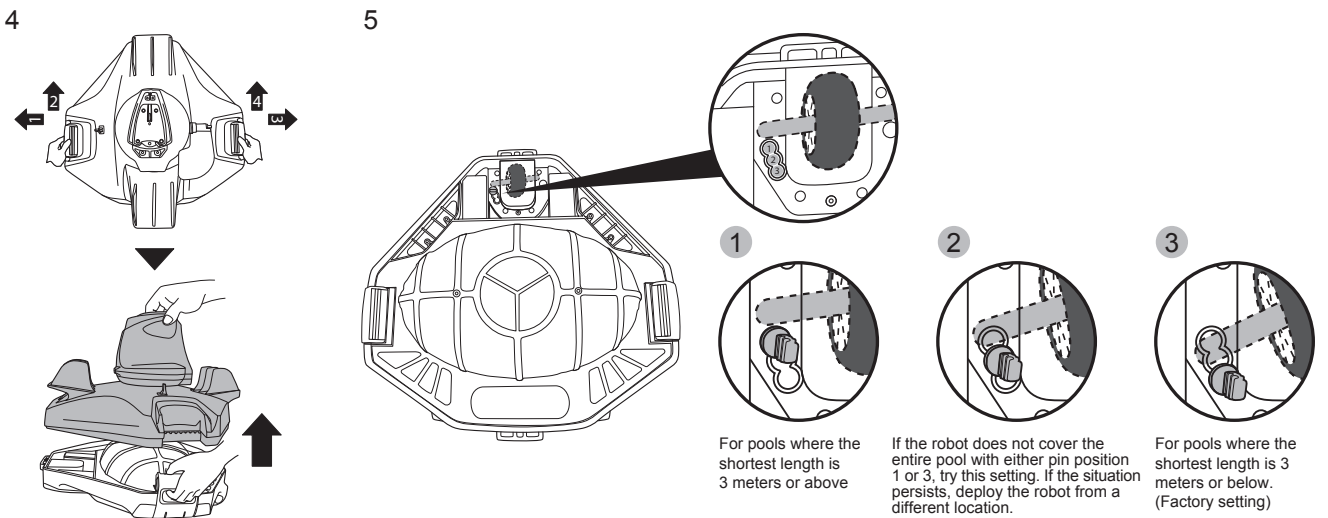
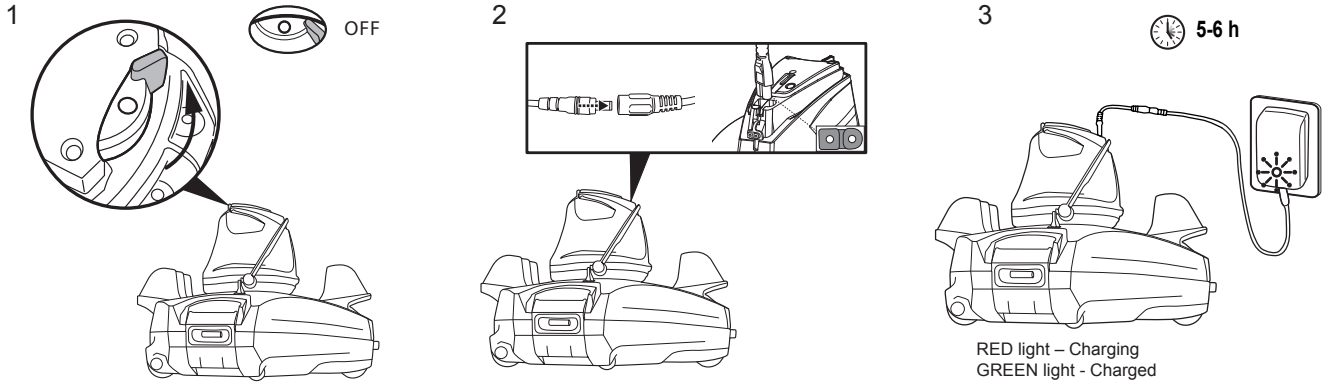
The robot has a water-propelling nozzle at the bottom of the swivel head. Water is first sucked in through the suction mouth at the bottom of the robot, which then goes through the filter and is discharged via the propelling nozzle. Water jetting from the nozzle propels the robot forward. Once the robot stops against an obstacle such as the pool wall, its side flap sways and its swivel head turns 180°, allowing the robot to move in the opposite direction. The robot moves in a generally straight pattern in one direction and in an arc pattern in the other direction. The robot vacuums the pool bottom as it moves, collecting debris in its compartment.

# Assembly and Operation

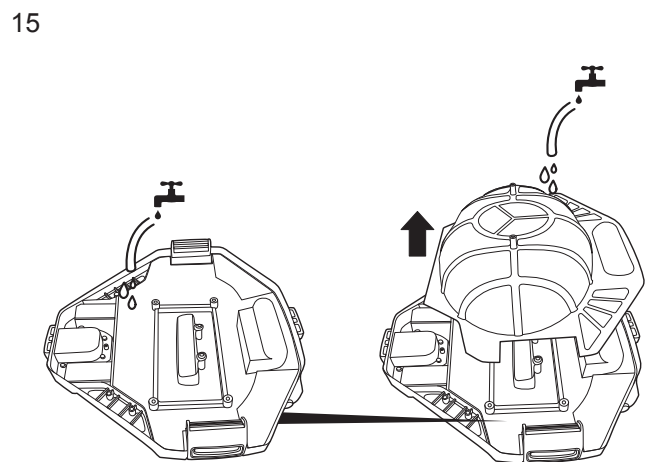
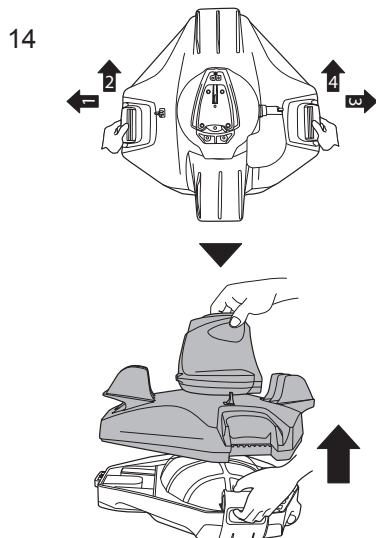
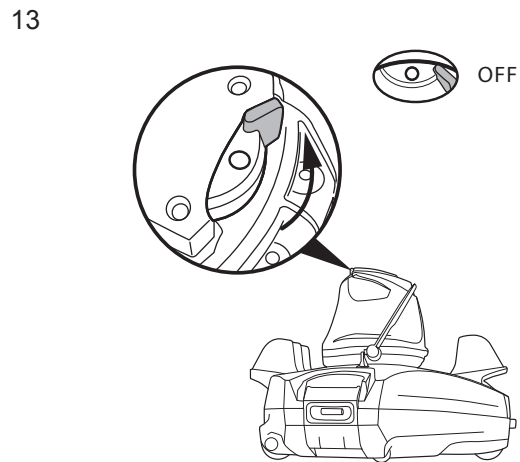
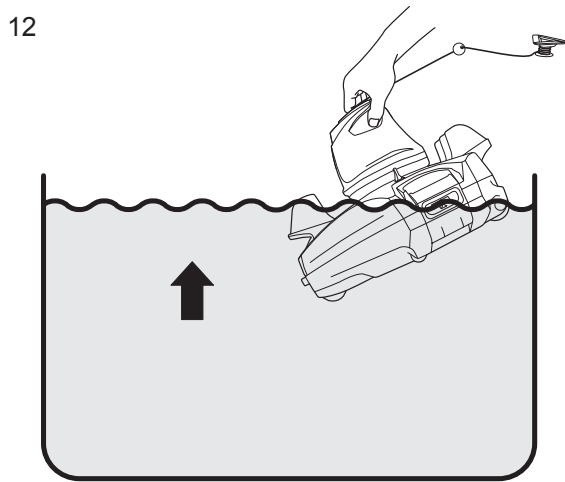
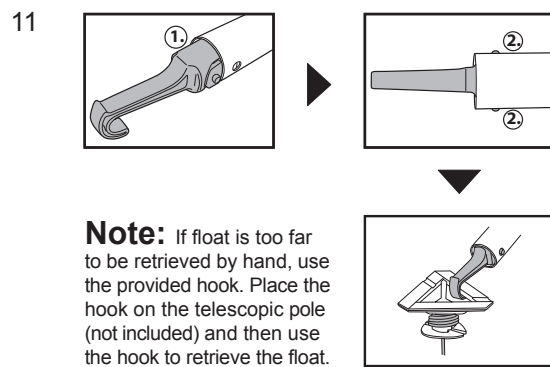
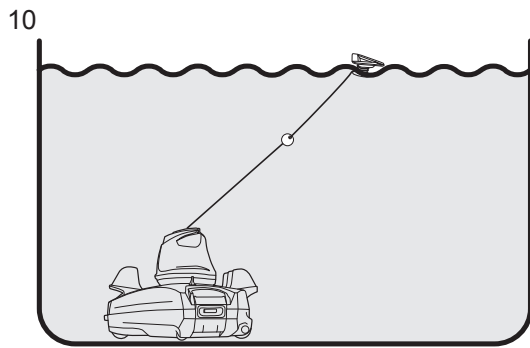
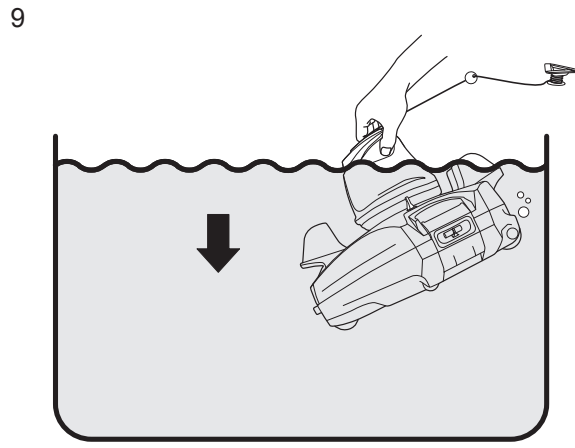
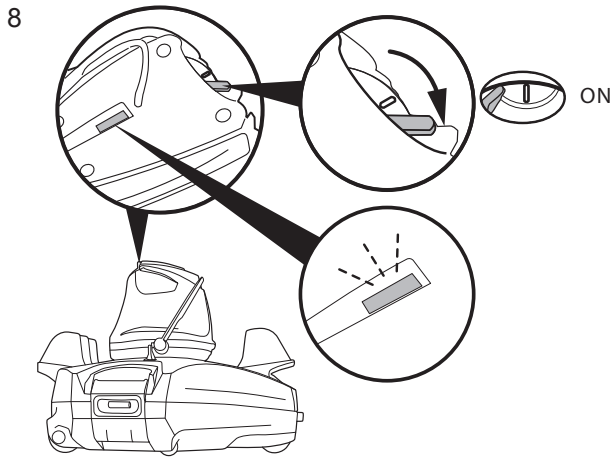
## WARNING For Charging

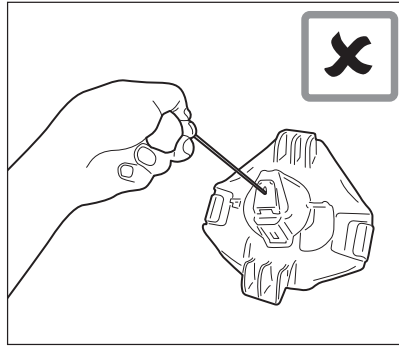
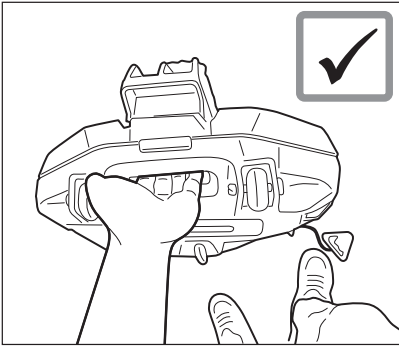
- Use only the original external adaptor and provided charging cable.
- Make sure the robot and the charger port are clean and dry before set-up.
- Make sure that the robot is turned off by sliding the switch to OFF position prior to charging.
- Fully charge the robot (about 5-6 hrs) before using it for the first time
- Power indicator light: No light - Power off / no power  
Light - Power on  
Blinking light - Battery power will cease within 10 minutes.

**Note:** Once the robot begins charging, the indicator light on the external adaptor will turn red. When the robot is almost fully charged, the indicator light will turn green.

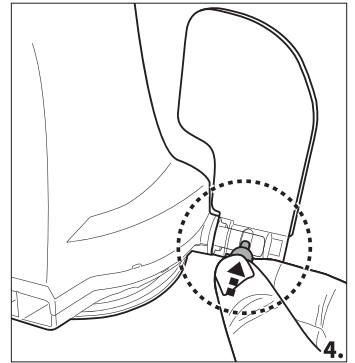
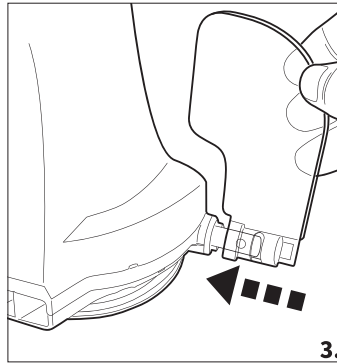
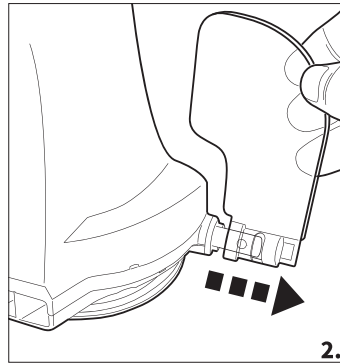
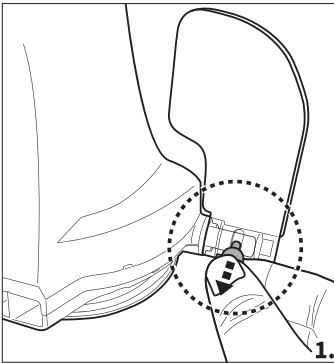


**Note:** Pry to detach the float cover and release the rope from the float to the depth of pool water plus about 0.5 m (19.7 in.).





### Flap replacement



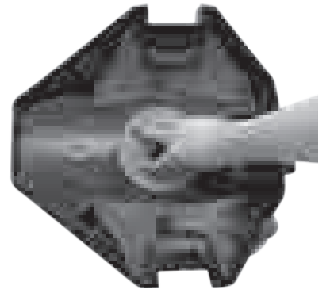
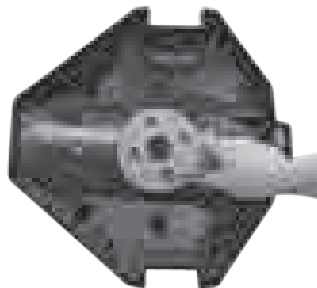
### Maintenance and Storage

1. Battery discharges on its own during storage. Make sure to fully-charge the robot before storage.
2. You must re-charge the battery at least once every three months when it is not in use.
  - Unplug the external adaptor from the socket and then unplug the charging cable from the external adaptor and robot.
  - Detach accessories from the robot. If necessary, rinse the robot and accessories with fresh water. DO NOT use detergent.
  - Be sure to drain the water from the robot before storing it.
  - Use a damp cloth to clean and dry the robot and its accessories.
  - Store them in a well-ventilated area away from sunlight, heat, ignition sources, pool chemicals and from children. Ambient temperature for storage should be 10°C – 25°C (50°F – 77°F). **NOTE:** A higher storage temperature may reduce the battery life.

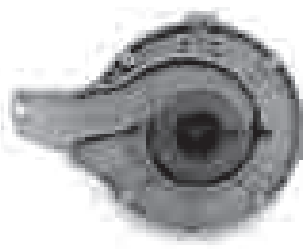
### How to remove the battery pack

Recommended tools (not included): Screwdriver.

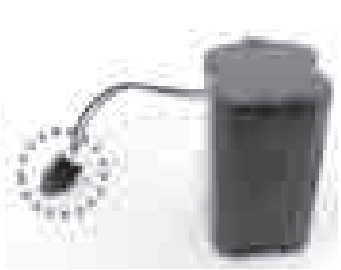
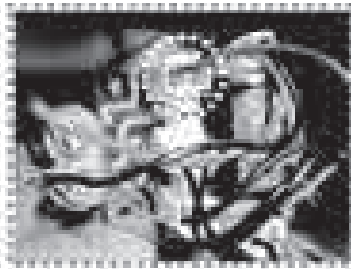
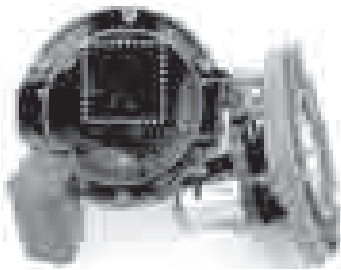
1. Release the top cover (preassembled with the swivel head). Turn the cover up side down and release the swivel head by turning its bottom locking plate counter-clockwise. Remove the swivel smoothing-ring.



2. Use the screwdriver to unscrew the 4 screws located on the bottom of the head to release the bottom plate at first. Use the screwdriver to unscrew all the screws on the base as shown. Remove the impeller and then pry up the base and remove it to expose head inside.



3. Remove the battery pack to expose the PCBA. To detach the battery connection wire, press the clip on the connector and then pull it out. **NOTE:** Wrap the connector immediately with insulating tape in order to avoid short circuit caused by contact of both wire terminals.



### DISPOSAL

Waste electrical products should not be disposed of with household waste. Please recycle where facilities exist. Check with your local authority or retailer for recycling advice.

## TROUBLESHOOTING

Problem	Possible Cause	Solution
Robot does not capture the debris	Battery is running out	Charge the robot again.
	Impeller is jammed	Power off the robot and inspect the hole under the swivel head to see if the impeller is jammed by large debris. For assistance, please visit the support section on our website, <a href="http://www.bestwaycorp.com">www.bestwaycorp.com</a> . <b>WARNING!</b> Make sure the robot is off before the unit is serviced.
	Suction mouth is clogged	Remove clogged objects from the suction mouth.
	Impeller is broken	For assistance, please visit the support section on our website, <a href="http://www.bestwaycorp.com">www.bestwaycorp.com</a> .
	Debris compartment is full	Clean both debris compartment and filter cover.
Robot stopped moving in the middle of pool but swivel head is still turning	Robot stopped by obstacle or large creases in the pool liner.	Check to see that if there is anything obstructing the cleaner. Remove the obstacle.
	Robot is stopped by suction from the main drain of pool floor	Turn off the filtration system as instructed in manual.
Swivel head rotates repeatedly	Air trapped inside the robot	The swivel head may rotate repeatedly for a few minutes once the robot sinks to the pool bottom. This phenomenon will stop once the air trapped inside the robot is gradually discharged and the robot will begin to move regularly.
Robot does not cover the entire pool	Debris compartment is full	Clean the debris compartment
	Operation time is shorter as expected	Clean the filter compartment and recharge the robot for 6 hrs
	Moving direction is interrupted by water circulation generated by filtration system	Turn off the filtration system (as instructed in filtration manual) at least 15 minutes before robot operation.
	Wheel is jammed	Check and remove debris from the wheel.
	Position of locking pin is not set properly.	Follow instruction to adjust the locking pin position.
Robot moves along the pool wall	Algae renders the pool floor slippery which results in the robot going in circles.	Scrub the pool bottom and robot wheels to remove the algae
	Position of locking pin-is not set properly / robot facing direction is wrong at beginning.	Follow instruction to adjust locking pin setting. Make sure that robot's front/back faces the pool wall at beginning.
Robot moves slowly or does not move at all.	Debris compartment is full or filter cover is clogged.	Clean the debris compartment. Flush the screen with water to remove small particles. If brush is deem necessary, use a soft brush to clean the screen gently. <b>Note:</b> make sure that the filter cover is In place before next operation
	Suction mouth is clogged	Remove clogged objects from the suction mouth
	Impeller is jammed	Power off the robot and inspect the hole under the swivel head to see if the impeller is jammed by large debris. For assistance, please visit the support section on our website, <a href="http://www.bestwaycorp.com">www.bestwaycorp.com</a> . <b>WARNING!</b> Make sure the robot is off before the unit is serviced.

Swivel head does not turn or turn noticeably slowly	Side flap does not come up.	Check and remove any debris that hinders the movement of the flap.
	Swivel head bottom is jammed	Detach the swivel head and smoothening-ring in accordance with instructions of section "How to remove the battery pack" from the manual, then: <ul style="list-style-type: none"> <li>- Remove trapped debris</li> <li>- Verify the smoothening-ring and bottom plate are installed correctly (refer to below diagrams)</li> <li>- Inspect the smoothening-ring for potential damages and wear and tear. Replace with a new one if necessary</li> </ul>
Debris escapes from the robot	Suction mouth's flap ( at cleaner bottom) is damaged	Suction mouth's flap works like a door to prevent the debris from escaping from the debris compartment. For assistance, please visit the support section on our website, <a href="http://www.bestwaycorp.com">www.bestwaycorp.com</a> .
	Debris clogged at suction mouth and prevents the flap to close.	Remove clogged debris from the suction mouth.
Debris leaks outside at the filter cover	Filter cover net is damaged	Replace with a new filter cover. For assistance, please visit the support section on our website, <a href="http://www.bestwaycorp.com">www.bestwaycorp.com</a> .
Round float sinks	Float is broken and water leaks in	Replace with a new float. For assistance, please visit the support section on our website, <a href="http://www.bestwaycorp.com">www.bestwaycorp.com</a> .
Robot operation lasts shorter than advertised	Battery is not fully charged	Charge the robot for at least 6 hrs.
Robot cannot be charged / recharged	Battery is damaged	For assistance, please visit the support section on our website, <a href="http://www.bestwaycorp.com">www.bestwaycorp.com</a> . <b>WARNING! DO NOT</b> replace the battery by yourself. This could result in severe or fatal injuries and the warranty will be voided as a result.
	Charging base is not completely connected with external adaptor and robot.	Make sure that the charger base is connected with external adaptor and robot properly and completely. Refer to instruction manual.
	External adaptor is out of order	For assistance, please visit the support section on our website, <a href="http://www.bestwaycorp.com">www.bestwaycorp.com</a> . <b>WARNING!</b> Using the wrong external adaptor will result in damaging the robot / battery and voiding the warranty as a result.






## MANUAL DO PROPRIETÁRIO

Visite o canal da Bestway no YouTube 

### INSTRUÇÕES DE SEGURANÇA IMPORTANTES

ANTES DE UTILIZAR O APARELHO, LEIA COM ATENÇÃO OS SEGUINTE AVISOS DE SEGURANÇA E AS INSTRUÇÕES E GUARDE-OS PARA CONSULTA FUTURA

- Isto não é um BRINQUEDO. As crianças devem ser mantidas fora do alcance do robô e dos respetivos acessórios.
- Nunca permita a utilização do produto por crianças.
- Este robô não deve ser utilizado por pessoas com capacidades físicas, sensoriais ou mentais reduzidas ou com falta de experiência e conhecimentos, a menos que tenham recebido instruções sobre o aparelho e estejam sob a supervisão da pessoa responsável pela sua segurança.
- Certifique-se de que o robô está totalmente imerso na água antes de o colocar em funcionamento. O nível mínimo de água necessário para utilizar o robô deve estar acima da cabeça rotativa do robô. Se o robô não estiver imerso corretamente na água, a unidade pode danificar-se e, conseqüentemente, anular a garantia.
- A profundidade máxima de funcionamento na água é de 3 metros.
- Temperatura da água: 5 °C (41 °F) a 35 °C (95 °F).
- Para carregar a bateria, utilize apenas a unidade de alimentação amovível (adaptador externo) fornecida com o robô.
-  Unidade de alimentação amovível (adaptador externo).
- Para recarregar a bateria, utilize apenas a unidade de alimentação amovível (adaptador externo: DSS18-0842000-B/DSS18-0842000-C) e base de carregamento fornecida com o robô para carregar a bateria.
- **AVISO** - Este aparelho pode ser utilizado por crianças com idade igual ou superior a 8 anos e pessoas com capacidades físicas, sensoriais ou mentais reduzidas ou falta de experiência e conhecimento se estiverem sob vigilância ou se tiverem recebido instruções sobre a utilização do aparelho de forma segura e compreenderem o perigos envolvidos. As crianças não devem brincar com o aparelho. A limpeza e a manutenção pelo utilizador não devem ser efetuadas por crianças sem supervisão. (Para o mercado da UE)
- **AVISO** - Este aparelho não deve ser utilizado por pessoas (incluindo crianças) com capacidades físicas, sensoriais ou mentais reduzidas ou falta de experiência e conhecimento, a

menos que estejam sob vigilância ou tenham recebido instruções sobre a utilização do aparelho por parte de uma pessoa responsável pela sua segurança. As crianças devem ser supervisionadas para garantir que não brincam com o aparelho. (Para outro mercado que não o da UE)

- Ligue o adaptador externo a uma fonte de alimentação através de um dispositivo de corrente residual (RCD)/disjuntor contra falhas de terra (GFCI). Em caso de dúvida, consulte um electricista profissional qualificado.
- Não utilize o robô se for detetado algum dano.
- Substitua as peças danificadas o mais rapidamente possível. Utilize apenas peças certificadas pelo distribuidor ou fabricante.
- Desligue o robô, desligue o adaptador externo da fonte de alimentação e desligue o adaptador externo da base de carregamento antes de desligar o robô da base de carregamento.
- Desligue a bomba da corrente elétrica antes de realizar qualquer operação de manutenção, como limpar o filtro.
- A bateria instalada é uma bateria recarregável de íões de lítio. Nunca tente substituir por este produto.
- O robô deve ser recarregado apenas com o adaptador externo e a base de carregamento fornecidos com o produto.
- Durante o carregamento, NÃO manipule o robô, o adaptador externo e a base de carregamento com as mãos molhadas e descalço.
- Não deve utilizar o robô com pessoas/animais de estimação presentes na água.
- NÃO utilize o robô sem um filtro intacto, caso contrário, a garantia é anulada.
- Perigo de entalamento por aspiração: O robô gera sucção. Durante o funcionamento, não permita que cabelos, partes do corpo e peças soltas de vestuário entrem em contacto com o orifício de aspiração do robô.
- Não introduza nunca partes do corpo, peças de vestuário e outros objetos nas aberturas e peças móveis do robô.
- NÃO utilize o robô para aspirar substâncias tóxicas, inflamáveis e líquidos combustíveis, como gasolina, nem na presença de vapores explosivos e inflamáveis.
- Não deve, em circunstância alguma, tentar desmontar o robô e substituir o impulsor, o motor e a bateria.
- Nunca introduza os dedos nem objetos para tocar no impulsor.
- O robô não deve ser utilizado por crianças.
- A bateria deve ser retirada do robô antes de ser eliminada.
- O robô contém uma bateria que deve ser removida apenas por pessoas qualificadas.
- O robô deve ser desligado da corrente elétrica quando remover a bateria.
- Para obter detalhes sobre a eliminação da bateria, consulte a secção "Eliminação da bateria" deste manual.
- A bateria deve ser eliminada com segurança, de acordo com as leis ou regulamentos locais.
- O robô inclui uma bateria recarregável de íões de lítio, isenta de manutenção, que deve ser eliminada de forma adequada. É necessária reciclagem. Contacte as autoridades locais

para obter mais informações.

- Adaptador externo e base de carregamento:
  - Nunca utilize o adaptador externo e a base de carregamento para outros fins que não o carregamento da bateria do robô fornecida na mesma embalagem.
  - O adaptador externo e a base de carregamento não devem ser utilizados no exterior, nem expostos à chuva, à humidade, a líquidos ou ao calor.
  - O transformador (ou adaptador externo) deve estar localizado fora da zona 1.
  - Mantenha o adaptador externo e a base de carregamento fora do alcance de crianças.
  - Nunca utilize o adaptador externo e a base de carregamento caso detete algum dano.
  - NÃO manuseie o adaptador externo e a base de carregamento com as mãos molhadas.
  - Mantenha o adaptador externo desligado da energia quando não estiver a ser utilizado.
  - Nunca tente abrir o adaptador externo.
  - Se o cabo de alimentação estiver danificado, deve ser substituído pelo fabricante, o seu agente de assistência técnica ou uma pessoa com qualificações semelhantes, a fim de evitar qualquer tipo de risco.
  - Certifique-se de que o robô está completamente seco antes de o carregar.

#### ELIMINAÇÃO DA BATERIA:

A reciclagem é necessária; por favor contate as autoridades locais para obter informações.

- A bateria deve ser retirada do aspirador elétrico antes de este ser eliminado.
- O aspirador de piscina deve ser desligado da rede elétrica (tomada elétrica) antes de se remover a bateria.
- A bateria tem de ser eliminada de forma segura e adequada.

#### CUIDADO!

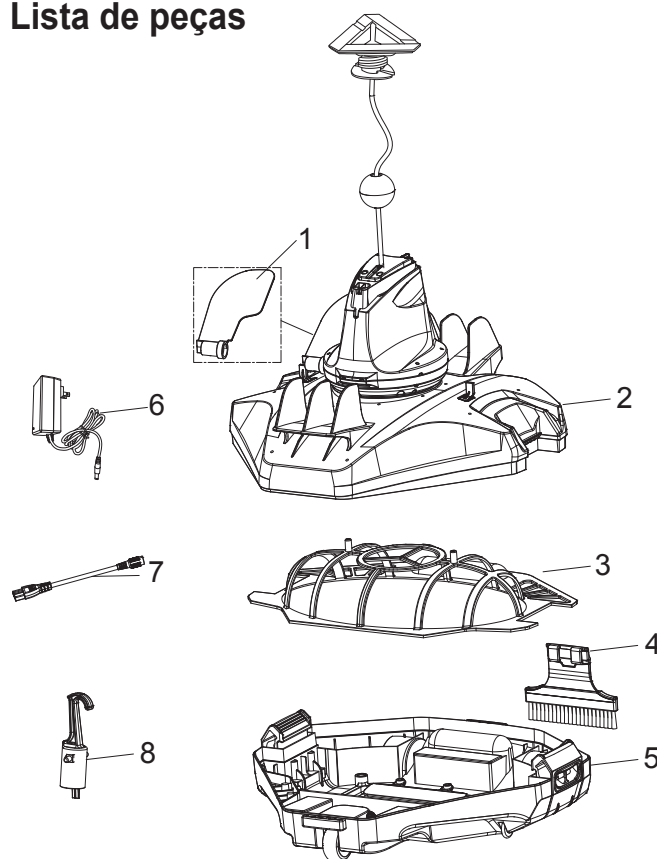
- O robô foi concebido apenas para ser utilizado submerso; não é um aspirador multiusos. NÃO o tente utilizar para limpar outros espaços para além da piscina.
- Utilize apenas acessórios originais fornecidos com o produto.
- NÃO utilize o robô logo após o tratamento de choque da piscina. É recomendável deixar primeiro a água da piscina a circular durante, pelo menos, 24-48 horas.
- Se pretender utilizar o robô numa piscina de água salgada, certifique-se de que o sal se dissolveu completamente antes de o colocar na água.
- Não é recomendável utilizar o robô em simultâneo com outro limpador/limpador automático.
- Evite recolher objetos duros e afiados com o produto, para não danificar o robô e o filtro.
- Para evitar danificar o adaptador externo e a base de carregamento, não tente transportar o robô pelo cabo do adaptador externo nem puxe o cabo para o desligar da fonte de alimentação e da base de carregamento.

- Carregue o robô no interior, num local limpo e seco, com boa ventilação e afastado da luz solar.
- NÃO deixe o robô ligado ao carregador por um período superior a 10 horas.
- Se o robô não for utilizado por um longo período de tempo, desligue-o da base de carregamento e utilize um pano húmido para limpar e secar o robô e os respetivos acessórios. Certifique-se de que carrega a bateria do robô até cerca de 30% a 50% antes de o guardar. Guarde-o num local bem ventilado, afastado da luz solar, do calor, de fontes de ignição, de produtos químicos para piscinas e das crianças. Recarregue o robô todos os três meses.
- Todas as ações relacionadas com a desmontagem da cabeça rotativa (por exemplo, eliminação da bateria) só podem ser realizadas por um técnico autorizado.

**Os avisos e cuidados acima não incorporam todas as possíveis situações de riscos e/ou lesões graves.** Os proprietários da piscina/spa devem sempre usar de cuidado e bom senso ao utilizar o produto.

### GUARDE ESTAS INSTRUÇÕES

#### Lista de peças



N.º Peça	Código da	QTD
1	P05700	1
2	P05626	1
3	P05628	1
4	P05632	1
5	P05627	1
6	P05696	1
7	P03880	1
8	P03879	1

O robô possui um bocal de propulsão da água na parte inferior da cabeça rotativa. A água é primeiro aspirada pela boca de aspiração na parte inferior do robô e depois passa pelo filtro e é descarregada pelo bocal de propulsão. O jato de água do bocal impulsiona o robô para a frente. Quando o robô para contra um obstáculo, como a parede da piscina, a aba lateral oscila e a cabeça rotativa gira 180°, permitindo que o robô se desloque na direção oposta. O robô desloca-se a direito numa direção e em arco na outra direção. O robô aspira o fundo da piscina enquanto se desloca, recolhendo os resíduos no seu compartimento.

# Montagem e operação

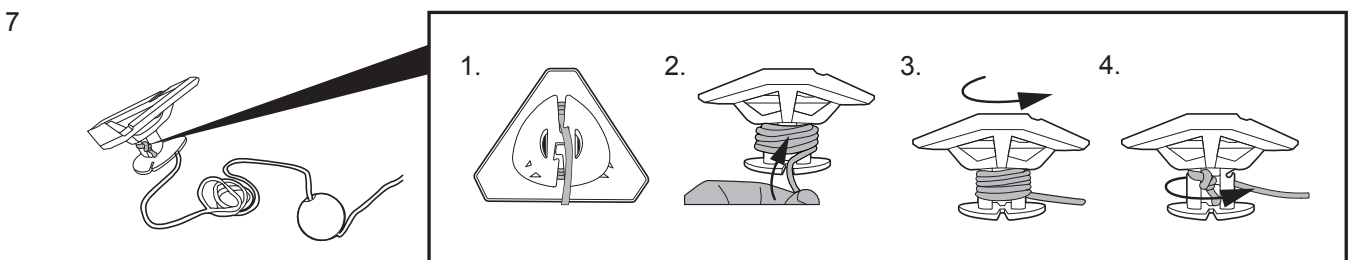
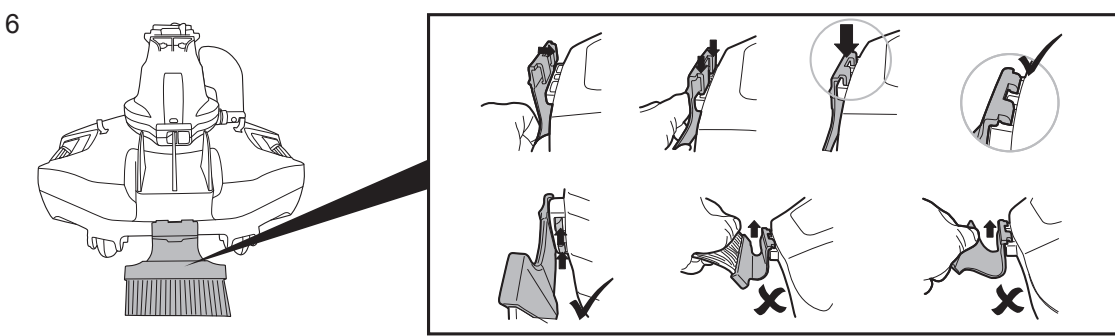
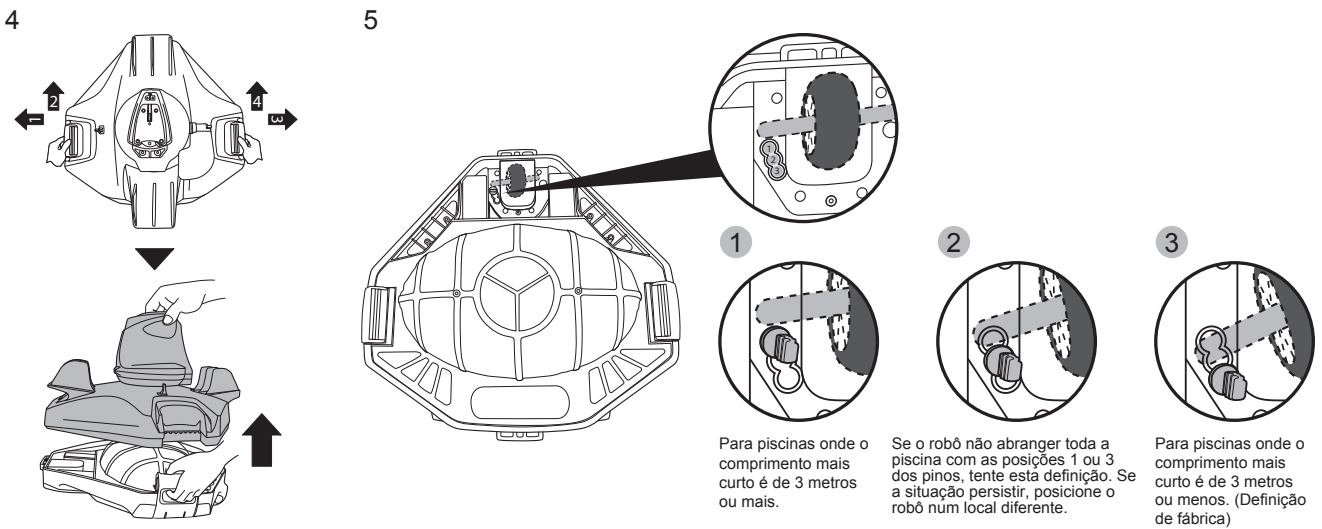
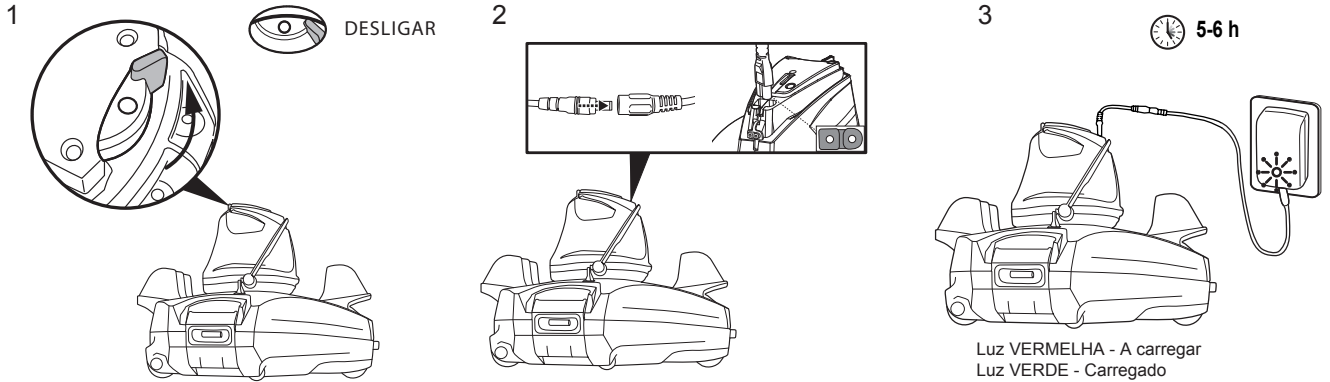
## AVISO de carregamento

- Utilize apenas o adaptador externo original e o cabo de carga fornecido.
- Certifique-se de que o robô e a porta do carregador estão limpos e secos antes de preparar.
- Certifique-se de que o robô está desligado deslizando o interruptor para a posição OFF antes de carregar.
- Carregue completamente o robô (cerca de 5-6 h) antes de o utilizar pela primeira vez.
- Luz indicadora de alimentação: Sem luz - Desligado / sem alimentação

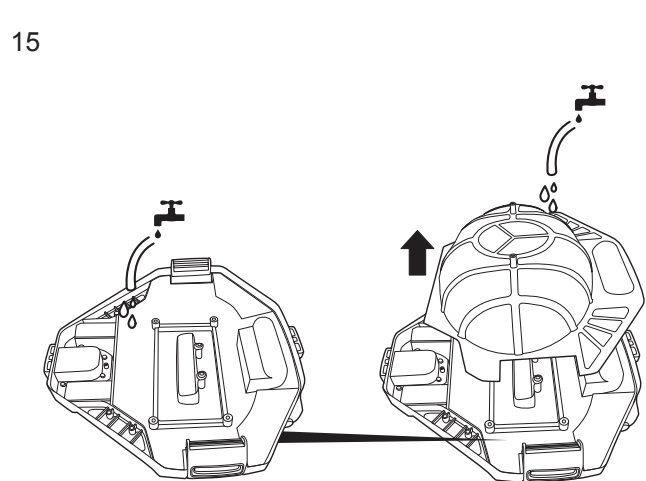
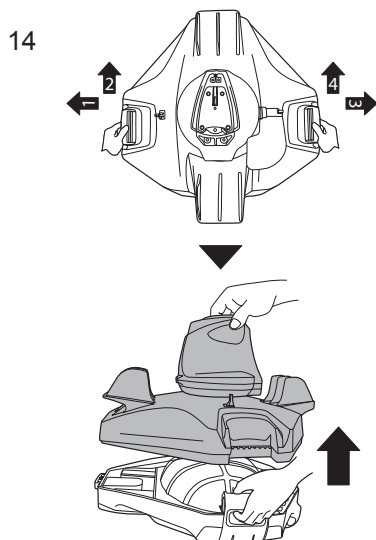
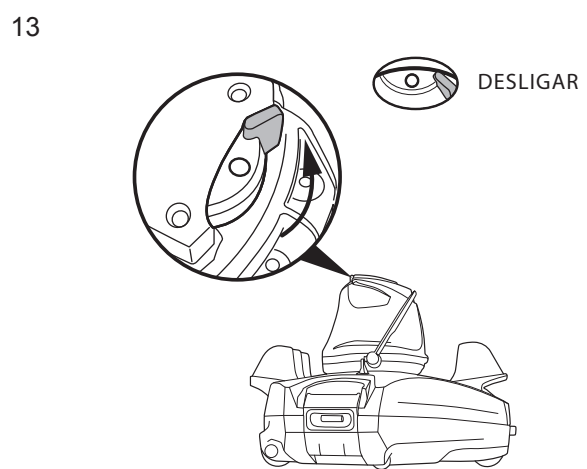
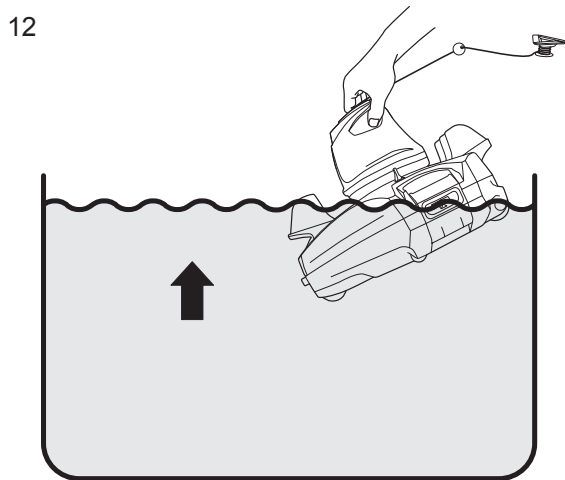
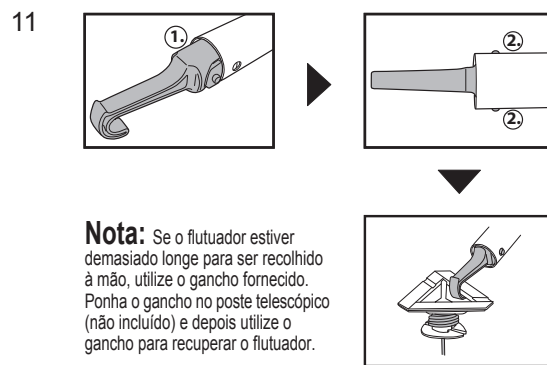
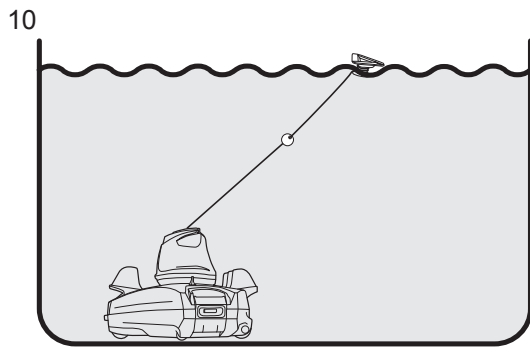
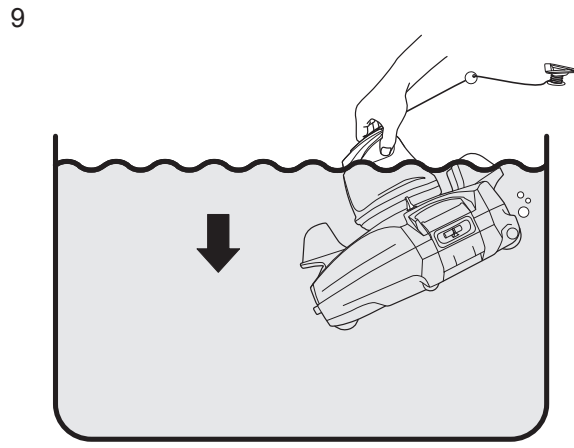
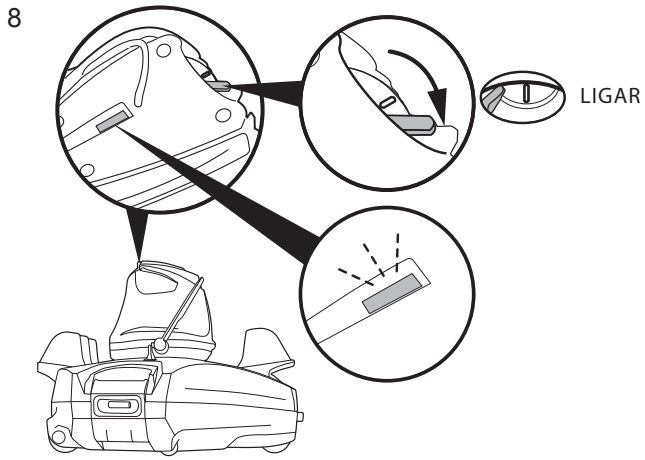
Luz - Ligado

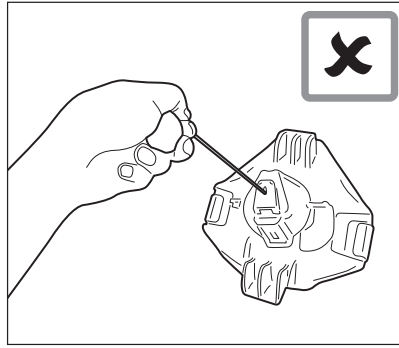
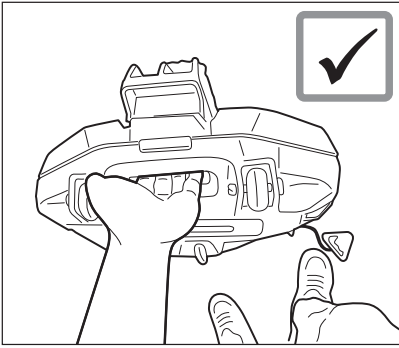
Luz a piscar - A potência da bateria vai parar dentro de 10 minutos.

**Nota:** Logo que o robô inicia o carregamento, a luz indicadora no adaptador externo fica vermelha. Quando o robô está praticamente completamente carregado, a luz indicadora fica verde.

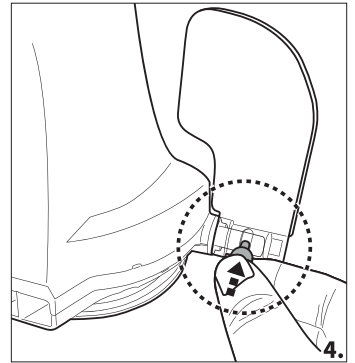
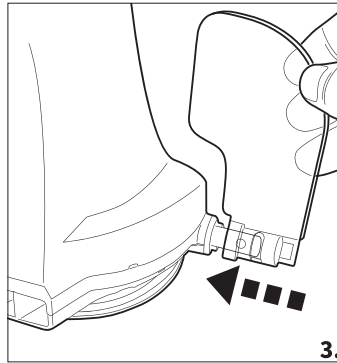
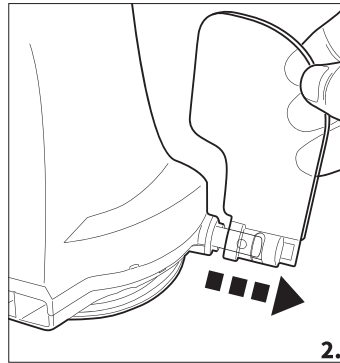
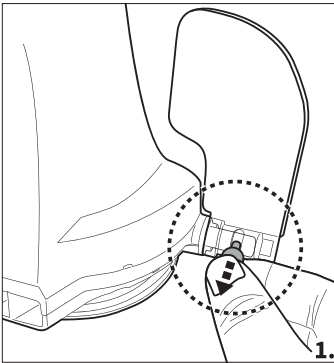


**Nota:** Separe a tampa do flutuador e liberte a corda do flutuador para a fundo da água da piscina mais cerca de 0,5m (19.7 pol).





### Substituição da aba



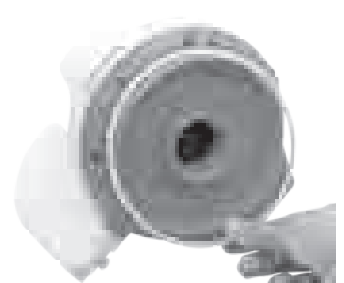
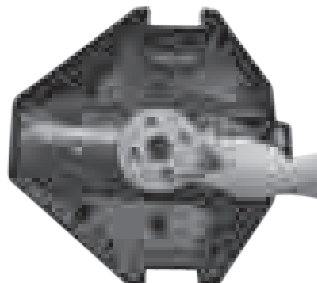
### Manutenção e Armazenamento

1. A bateria descarrega sozinha durante o armazenamento. Certifique-se de que carrega totalmente o robot antes do seu armazenamento.
  2. Deve recarregar a bateria pelo menos uma vez a cada três meses sempre que o produto não estiver a ser utilizado.
- Desligue o adaptador externo da tomada e depois desligue o cabo de carga do adaptador externo e robot.
  - Desprenda os acessórios do robot. Se necessário, lave o robot e os acessórios com água fresca. NÃO utilize detergente.
  - Certifique-se de que drena a água do robot antes de o guardar.
  - Utilize um pano húmido para limpar e secar o robot e os seus acessórios.
  - Armazene numa área bem ventilada longe da luz do sol, calor, fontes de ignição, químicos de piscina e crianças. Temperatura ambiente para o armazenamento deve estar entre os 10°C - e os 25°C (50°F - 77°F). **NOTA:** Uma temperatura de armazenamento mais elevada pode reduzir a vida da bateria.

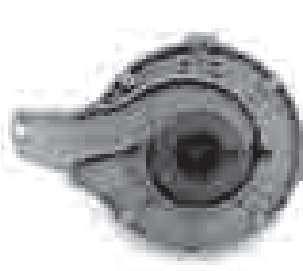
### Como remover a bateria

Ferramentas recomendadas (não incluídas): Chave de parafusos.

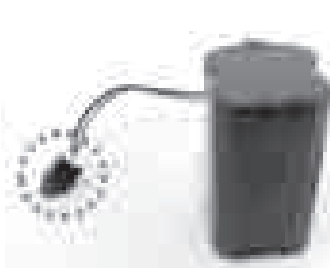
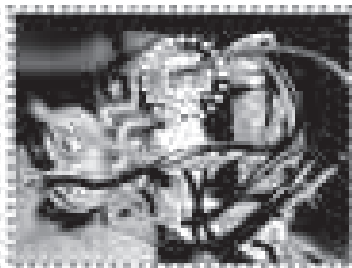
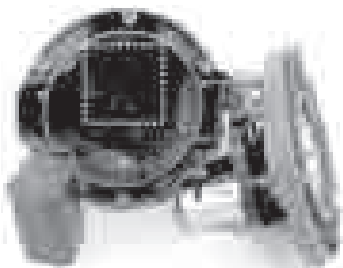
1. Solte a tampa superior (pré-montada com a cabeça giratória). Volte a tampa ao contrário e solte a cabeça giratória rodando a sua placa de bloqueio inferior no sentido contrário aos ponteiros do relógio. Remova o anel giratório.



2. Utilize uma chave de parafusos para desaparafusar os 4 parafusos que se encontram no fundo da cabeça para soltar primeiro a placa do fundo. Utilize a chave de parafusos para desaparafusar todos os parafusos na base conforme ilustrado. Remova o impulsor e levantar a base e remova-a para expor a cabeça no seu interior.



3. Remova a bateria para expor o PCBA. Para prender o cabo de ligação da bateria, prima o gancho no conector e puxe para fora. **NOTA:** Envolve o conector imediatamente com fita isoladora de forma a evitar curto-circuito provocado pelo contacto de ambos os terminais do fio.



### ELIMINAÇÃO

Os resíduos de produtos elétricos não devem ser eliminados com o lixo doméstico. Envie-os para reciclagem em instalações apropriadas. Consulte as autoridades locais ou o revendedor para obter informações sobre a reciclagem.

## RESOLUÇÃO DE PROBLEMAS

Problema	Causa Possível	Solução
O robot não apanha os detritos.	A bateria está a ficar sem carga	Carregue o robot novamente.
	O rotor está bloqueado.	Desligue o robô e inspecione o orifício sob a cabeça rotativa para ver se o impulsor está congestionado por detritos grandes. Para obter assistência, visite a secção de apoio no nosso sítio da internet: <a href="http://www.bestwaycorp.com">www.bestwaycorp.com</a> <b>AVISO!</b> Certifique-se de que o robô está desligado antes de reparar a unidade.
	Boca de aspiração obstruída	Retire objetos que estejam a obstruir a boca de aspiração.
	O rotor está quebrado	Para obter assistência, visite a secção de apoio no nosso sítio da internet: <a href="http://www.bestwaycorp.com">www.bestwaycorp.com</a>
	O compartimento de resíduos está cheio	Limpe o compartimento de resíduos e a tampa do filtro.
O robô parou no meio da piscina, mas a cabeça rotativa continua a rodar	O robô parou devido a um obstáculo ou a vincos grandes no revestimento da piscina	Verifique se existe algo a obstruir o aspirador. Retire o obstáculo.
	O robô para por aspiração do ralo principal do piso da piscina	Desligue o sistema de filtragem conforme indicado no manual.
A cabeça rotativa gira repetidamente	Ar retido no interior do robô	A cabeça rotativa pode girar repetidamente durante alguns minutos quando o robô mergulha até ao fundo da piscina. Este fenómeno para assim que o ar retido no robô for gradualmente descarregado e o robô começar a mover-se regularmente.
O robô não cobre toda a piscina	O compartimento de resíduos está cheio	Limpe o compartimento de resíduos.
	O tempo de funcionamento é inferior ao esperado	Limpe o compartimento do filtro e recarregue o robô durante 6 horas.
	A direcção do movimento é interrompida pela circulação da água gerada pelo sistema de filtragem	Desligue o sistema de filtragem (conforme indicado no manual de filtragem) pelo menos 15 minutos antes do funcionamento do robô.
	A roda está encravada	Verifique e retire os resíduos da roda.
	A posição do pino de bloqueio não está configurada corretamente.	Siga as instruções para ajustar a posição do pino de bloqueio.
	As algas tomam o piso da piscina escorregadio, fazendo o robô andar em círculos	Escove o fundo da piscina e as rodas do robô para remover as algas
O robô desloca-se ao longo da parede da piscina	A posição do pino de bloqueio não está configurada corretamente/a direcção do robô está incorreta no início	Siga as instruções para ajustar a configuração do pino de bloqueio. Certifique-se de que a dianteira/traseira do robô está voltada para a parede da piscina no início.
O robô desloca-se lentamente ou não se move	O compartimento de resíduos está cheio ou a tampa do filtro está obstruída	Limpe o compartimento de resíduos. Lave o filtro com água para remover pequenas partículas. Se for necessária escovagem, utilize uma escova macia para limpar o filtro com suavidade. <b>Nota:</b> certifique-se de que a tampa do filtro está no lugar antes da próxima operação
	Boca de aspiração obstruída	Retire objetos que estejam a obstruir a boca de aspiração.
	O rotor está bloqueado	Desligue o robô e inspecione o orifício sob a cabeça rotativa para ver se o impulsor está congestionado por detritos grandes. Para obter assistência, visite a secção de apoio no nosso sítio da internet: <a href="http://www.bestwaycorp.com">www.bestwaycorp.com</a> <b>AVISO!</b> Certifique-se de que o robô está desligado antes de reparar a unidade.

A cabeça rotativa não gira ou gira muito lentamente	A aba lateral não sobe	Verifique e remova quaisquer resíduos que dificultem o movimento da aba.
	O fundo da cabeça rotativa está encravado	Solte a cabeça rotativa e o anel de regularização de acordo com as instruções da secção "Como retirar a bateria" do manual e, em seguida: - Retire os resíduos presos - Verifique se o anel de regularização e a placa inferior estão instalados corretamente (consulte os diagramas abaixo) - Inspeção o anel de regularização para deteção de possíveis danos e desgaste. Substitua por um novo, se necessário
Saem resíduos do robô	A aba da boca de aspiração (na parte inferior do aspirador) está danificada	A aba da boca de aspiração funciona como uma porta para impedir que os resíduos escapem do compartimento. Para obter assistência, visite a secção de apoio no nosso sítio da internet: <a href="http://www.bestwaycorp.com">www.bestwaycorp.com</a>
	Existem resíduos presos na boca de aspiração que impedem o fecho da aba	Retire resíduos que estejam a obstruir a boca de aspiração.
Os resíduos saem pela tampa do filtro	A rede da tampa do filtro está danificada	Substitua-a por uma nova. Para obter assistência, visite a secção de apoio no nosso sítio da internet: <a href="http://www.bestwaycorp.com">www.bestwaycorp.com</a>
O flutuador redondo afunda-se	O flutuador está quebrado e a água entra nele	Substitua-o por um novo. Para obter assistência, visite a secção de apoio no nosso sítio da internet: <a href="http://www.bestwaycorp.com">www.bestwaycorp.com</a>
O robô funciona menos tempo do que o indicado	A bateria não está totalmente carregada	Carregue o robô durante, pelo menos, 6 horas.
O robô não pode ser carregado/recarregado	A bateria está danificada	Para obter assistência, visite a secção de apoio no nosso sítio da internet: <a href="http://www.bestwaycorp.com">www.bestwaycorp.com</a> <b>AVISO!</b> NÃO substitua a bateria sozinho. Isto pode resultar em lesões graves ou fatais e a garantia será anulada.
	A base de carregamento não está completamente ligada ao adaptador externo e ao robô	Certifique-se de que a base do carregador está bem ligada ao adaptador externo e ao robô. Consulte o manual de instruções.
	O adaptador externo não funciona	Para obter assistência, visite a secção de apoio no nosso sítio da internet: <a href="http://www.bestwaycorp.com">www.bestwaycorp.com</a> <b>AVISO!</b> A utilização incorreta do adaptador externo resultará em danos no robô/bateria e, conseqüentemente, na anulação da garantia.



## MANUAL DEL PROPIETARIO

Visite el canal de YouTube de Bestway 

### INSTRUCCIONES DE SEGURIDAD IMPORTANTES

LEA LAS SIGUIENTES ADVERTENCIAS DE SEGURIDAD Y LAS INSTRUCCIONES ATENTAMENTE ANTES DE USAR EL APARATO Y GUÁRDELAS PARA FUTURAS CONSULTAS

- Este aparato no es un JUGUETE. Este robot y sus accesorios deben mantenerse fuera del alcance de los niños.
- Nunca permita que los niños manipulen este producto.
- Este robot no está diseñado para que lo utilicen personas con capacidades físicas, sensoriales o mentales reducidas, o sin suficiente experiencia y conocimientos, a menos que hayan recibido instrucciones sobre el aparato y estén bajo la supervisión de la persona responsable de su seguridad.
- Asegúrese de que el robot está completamente sumergido en agua antes de iniciar el funcionamiento. El nivel mínimo de agua requerido para operar el robot debe estar por encima del cabezal giratorio. Operar el robot cuando no está sumergido correctamente en el agua podría dañar la unidad y anular la garantía.
- La profundidad máxima de funcionamiento en el agua es de 3 metros.
- Temperatura máxima del agua: 5 °C (41 °F) - 35 °C (95 °F).
- Para cargar la batería, emplee únicamente la unidad de suministro desmontable (adaptador externo) proporcionada con este robot.
-  Unidad de suministro desmontable (adaptador externo).
- Para recargar la batería, emplee únicamente la unidad de suministro desmontable (adaptador externo: DSS18-0842000-B / DSS18-0842000-C) y la base de carga proporcionadas con este robot para cargar la batería.
- **ADVERTENCIA** - Este aparato puede ser utilizado por niños a partir de 8 años y personas con capacidades físicas, sensoriales o mentales reducidas, o con falta de experiencia y conocimientos, si han sido supervisados o instruidos sobre el uso seguro del aparato y entienden los peligros asociados. Los niños no deben jugar con el aparato. La limpieza y el mantenimiento llevados a cabo por el usuario no deben ser realizados por niños sin supervisión. (Para el mercado europeo)
- **ADVERTENCIA** - Este aparato no está diseñado para ser utilizado por personas (incluidos los niños) con capacidades

físicas, sensoriales o mentales reducidas, o con falta de experiencia y conocimientos, a menos que hayan sido supervisadas o instruidas sobre el uso del aparato por parte de una persona responsable de su seguridad. Los niños deben ser supervisados para asegurarse de que no jueguen con el aparato. (Para el mercado no europeo)

- Conecte el adaptador externo a una fuente de alimentación mediante un interruptor diferencial (ID) / un interruptor de circuito por falla a tierra (GFCI por sus siglas en inglés). En caso de duda, consulte a un electricista profesional cualificado.
  - No utilice este robot si se detecta algún daño.
  - Sustituya las partes dañadas lo antes posible. Utilice únicamente piezas certificadas por el distribuidor o fabricante.
  - Antes de desconectar el robot de la base de carga, apáguelo, desconecte el adaptador externo de la fuente de alimentación y de la base de carga.
  - Desconecte la bomba de la red de suministro antes de realizar cualquier mantenimiento del usuario, como la limpieza del filtro.
  - La batería instalada es una batería recargable de iones de litio. Nunca intente reemplazar este producto.
  - El robot solo debe recargarse con el adaptador externo y la base de carga proporcionados con este producto.
  - NO manipule el robot mientras se carga con las extremidades mojadas y sin zapatos.
  - No debe manipular el robot cuando haya personas o mascotas en el agua.
  - NO utilice el robot sin haber colocado una bolsa del filtro intacta, ya que no hacerlo anulará la garantía.
  - Peligro de atrapamiento por succión: Este robot genera succión. El cabello, el cuerpo o cualquier parte suelta de la ropa no deben tener contacto con el agujero de succión durante su funcionamiento.
  - No introduzca partes del cuerpo, ropa u otros objetos en las aberturas y partes móviles del robot.
  - NO utilice este robot para recoger sustancias tóxicas, líquidos inflamables o combustibles como la gasolina, ni en presencia de gases explosivos o inflamables.
  - Bajo ninguna circunstancia intente desmontar el robot y sustituir el impulsor, el motor y la batería usted mismo.
  - Nunca inserte los dedos ni ningún objeto para tocar el impulsor.
  - Los niños no deben utilizar este robot.
  - Es necesario retirar la batería del robot antes de desecharla.
  - Este robot contiene una batería que solo personas expertas deben retirar.
  - Antes de extraer la batería, desconecte el robot de la toma de corriente.
  - Para obtener detalles sobre la eliminación de la batería, consulte la sección «Eliminación de la batería» de este manual.
  - La batería se debe eliminar de manera segura, siguiendo las ordenanzas o normativas locales.
- La batería del robot es una batería recargable de iones de litio que no necesita mantenimiento y debe eliminarse adecuadamente. Es necesario reciclarla; póngase en contacto



con las autoridades locales para obtener más información.

**- Adaptador externo y base de carga:**

- Nunca use el adaptador externo y la base de carga para otra actividad distinta de la carga de la batería del robot proporcionado en el mismo paquete.
- El adaptador externo y la base de carga no deben usarse al aire libre, ni deben exponerse a la lluvia, la humedad, ni a ningún líquido o al calor.
- El transformador (o adaptador externo) debe estar colocado fuera de la zona 1.
- Mantenga el adaptador externo y la base de carga fuera del alcance de los niños.
- Nunca use el adaptador externo y la base de carga si se ha detectado algún daño.
- NO manipule el adaptador externo y la base de carga con las manos mojadas.
- Cuando no esté en uso, mantenga el adaptador externo desconectado de la alimentación.
- Nunca intente abrir el adaptador externo.
- Si el cable de alimentación está dañado, el fabricante, su agente de mantenimiento o una persona de cualificación similar debe sustituirlo para evitar cualquier situación de peligro.
- Antes de cargarlo, asegúrese de que el robot esté completamente seco.

**DESECHAR LA BATERÍA:**

Es necesario reciclar la batería. Póngase en contacto con las autoridades locales para recibir información al respecto.

- Extraiga la batería antes de desechar el aspirador de piscina.
- Desconecte el aspirador de piscina de la fuente de alimentación (toma de corriente) antes de extraer la batería.
- La batería se debe eliminar de manera segura y correctamente.

**¡PRECAUCIÓN!**

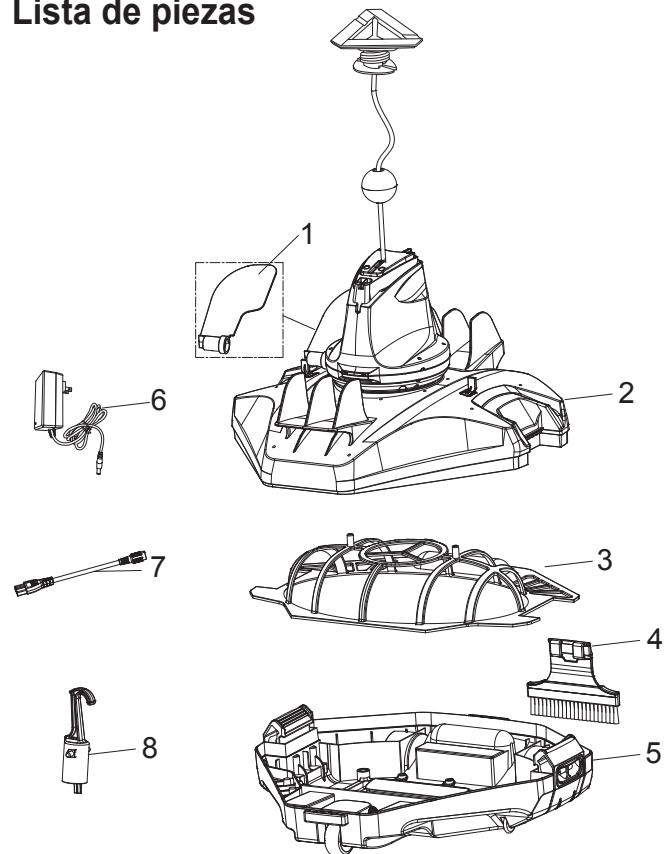
- Este robot está diseñado solo para usarse bajo el agua; no es una aspiradora para cualquier superficie. NO intente utilizarlo para limpiar otra cosa que no sea su piscina.
- Utilice solo accesorios originales suministrados con este producto.
- NO utilice este robot justo después de aplicar el cloro en la piscina. Se recomienda dejar primero la piscina en circulación durante al menos 24-48 horas.
- Si utilizará el robot en una piscina de agua salada, asegúrese de que toda la sal esté disuelta antes de colocarlo en el agua.
- No se recomienda utilizar simultáneamente este robot con otro limpiador o limpiador automático.
- Evite recoger objetos duros y afilados con este producto que puedan provocar daños en el robot y el filtro.
- Para evitar daños en el adaptador externo y en la base de carga, no intente transportar el robot por el cable del adaptador ni tire del cable para desconectarlo de la fuente de alimentación y de la base de carga.
- Cargue el robot en el interior, en un área limpia y seca con buena ventilación y lejos de la luz del sol.

- NO deje el robot enchufado al cargador durante más de 10 horas.
- Si el robot no se utilizará durante un período prolongado, asegúrese de que está apagado y use un paño húmedo para limpiarlo y secarlo junto con sus accesorios. Asegúrese de cargar el robot aproximadamente de un 30 % a un 50 % de la capacidad de la batería antes de guardarlo. Guárdelo en un área bien ventilada, alejada de la luz del sol, el calor, las fuentes de ignición, los productos químicos de la piscina y los niños. Recargue el robot cada tres meses.
- Solo un técnico autorizado puede realizar todas las acciones relacionadas con el desmontaje del cabezal giratorio (es decir, la eliminación de la batería).

**Las advertencias y precauciones anteriores no están destinadas a incluir todos los ejemplos de posibles de riesgos y/o lesiones graves.** Los propietarios de una piscina/spa siempre deberán tomar medidas de precaución adicionales y emplear el sentido común cuando utilicen el producto.

**GUARDE ESTAS INSTRUCCIONES**

**Lista de piezas**



Nº de	Código de	CANT.
1	P05700	1
2	P05626	1
3	P05628	1
4	P05632	1
5	P05627	1
6	P05696	1
7	P03880	1
8	P03879	1

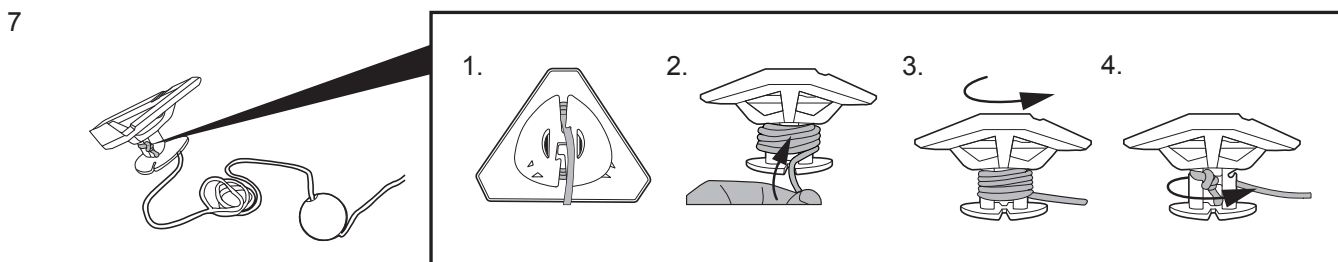
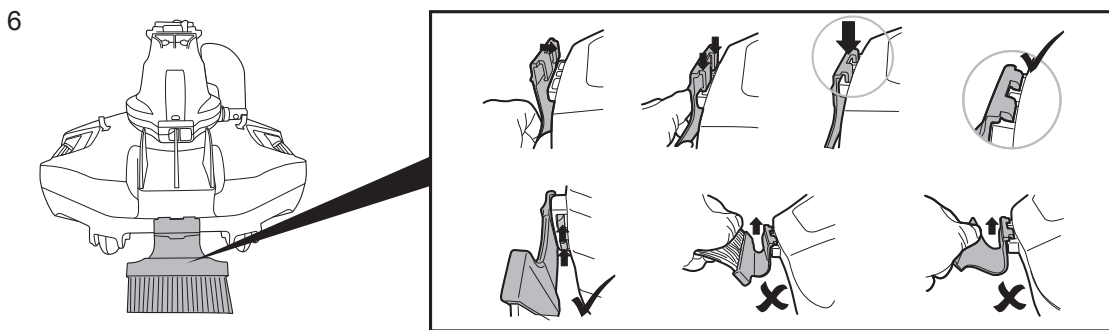
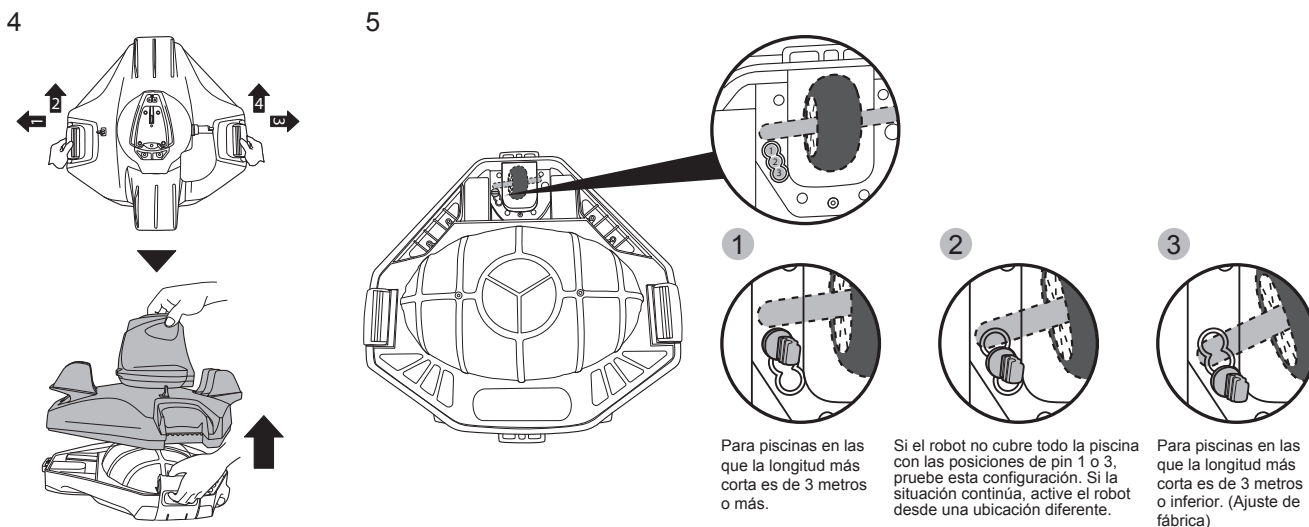
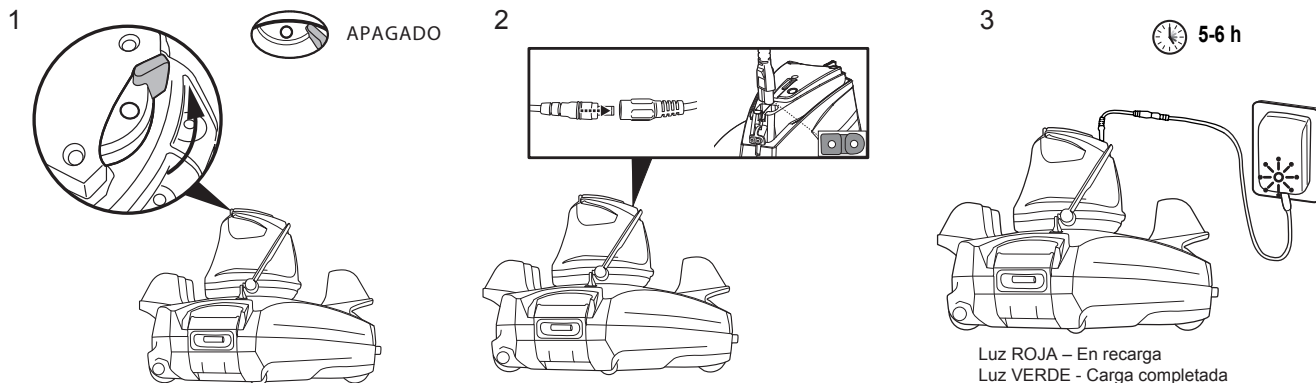
El robot tiene una boquilla propulsora de agua en la parte inferior del cabezal giratorio. Primero, el agua se aspira a través de la boquilla de succión situada en la parte inferior del robot, que pasa después a través del filtro y se descarga mediante la boquilla de propulsión. El agua que sale de esta boquilla impulsa al robot hacia adelante. Cuando el robot se detiene contra un obstáculo, como la pared de la piscina, la aleta lateral se balancea y la cabeza giratoria gira 180°, lo que permite que se mueva en la dirección opuesta. Por norma general, el robot se mueve en un patrón recto en una dirección y en un patrón de arco en la otra. El robot aspira el fondo de la piscina mientras se mueve y recoge los residuos en su compartimento.

# Montaje y funcionamiento

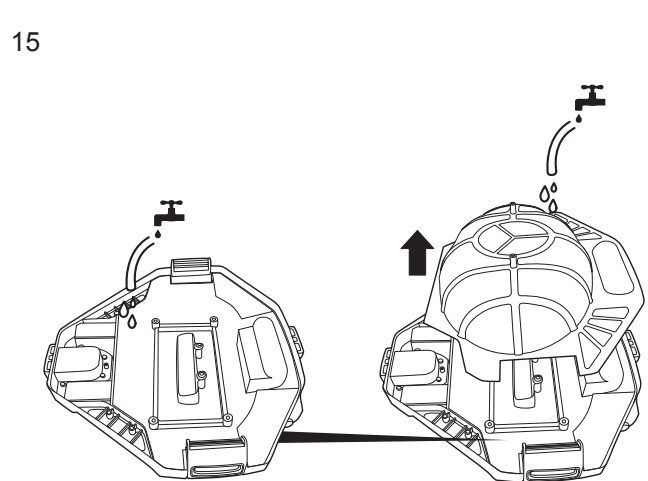
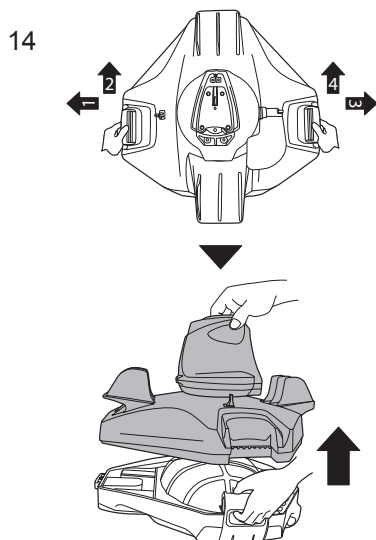
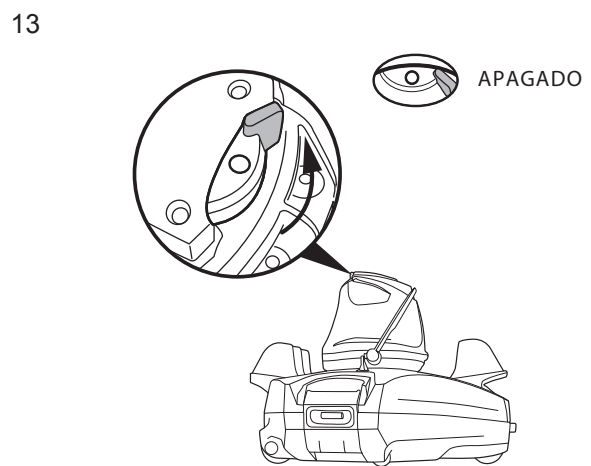
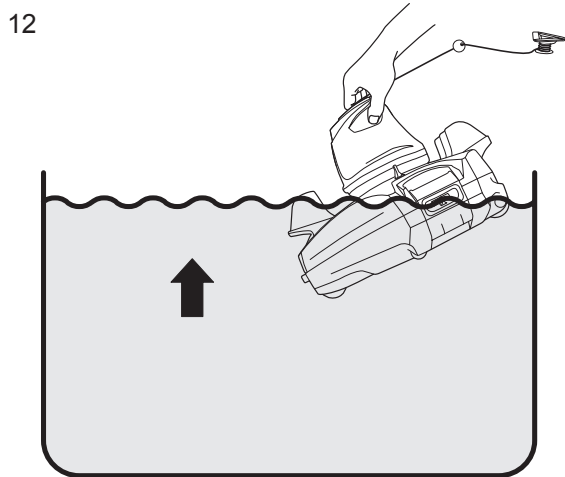
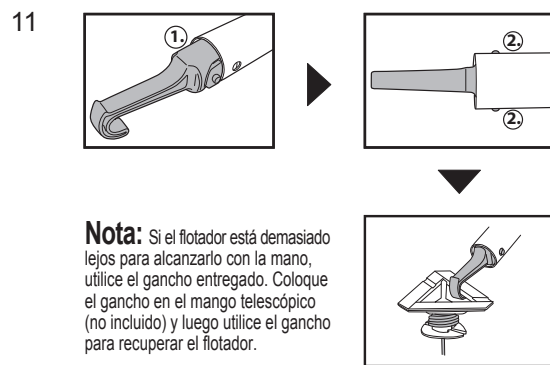
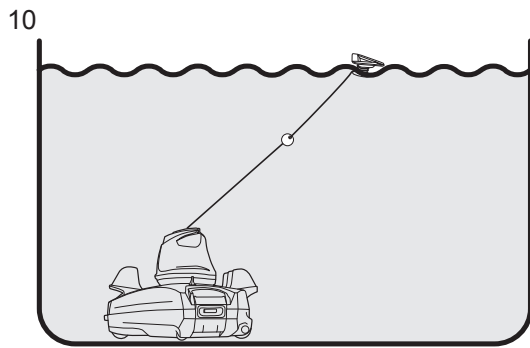
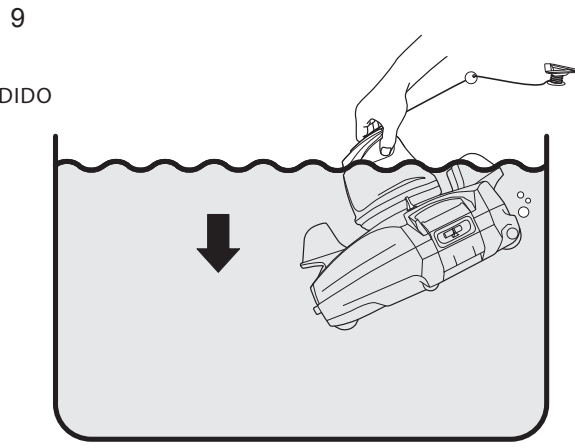
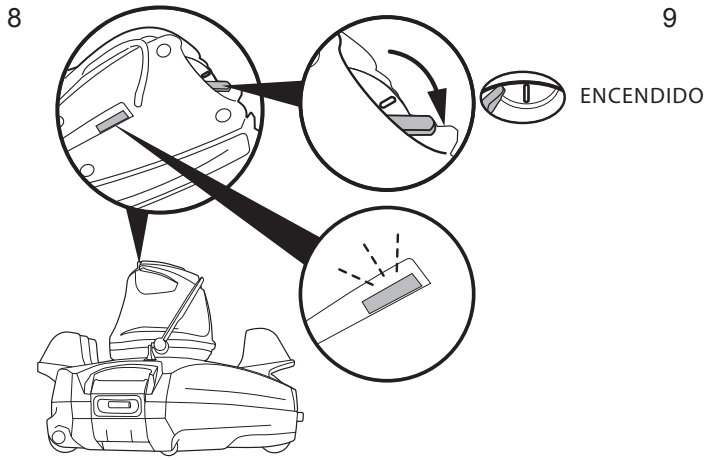
## ADVERTENCIA Para la carga

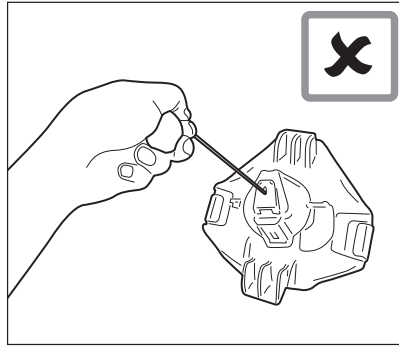
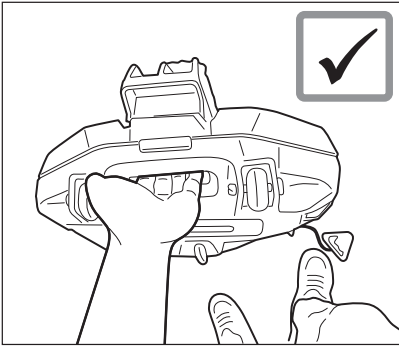
- Utilice exclusivamente el adaptador externo original y el cable de carga entregado con el equipo.
- Compruebe que el puerto del robot y el del cargador estén limpios y secos antes de enchufar.
- Compruebe que el robot esté apagado, llevando el interruptor a la posición de OFF antes de cargar.
- Cargue completamente el robot (durante 5-6 horas) antes de utilizarlo por primera vez.
- Testigo de encendido: Apagado - Alimentación desactivada / falta de alimentación  
Encendido - Alimentación activada  
Luz parpadeante - La carga de la batería se agotará en 10 minutos.

**Nota:** Cuando el robot empieza a cargarse, el testigo del adaptador externo emite una luz roja. Cuando el robot está casi completamente cargado, el testigo emite una luz verde.

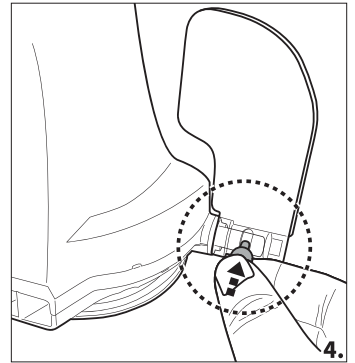
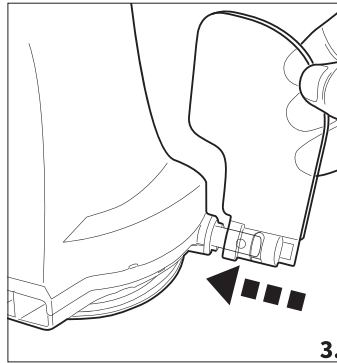
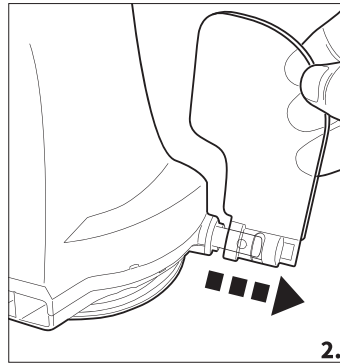
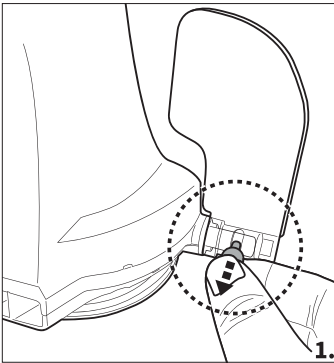


**Nota:** Haga palanca para separar la cubierta del flotador y suelte la cuerda del flotador hasta la profundidad del agua de la piscina, más, aproximadamente, otro medio metro (19,7 pulg.).





### Reemplazo de la aleta



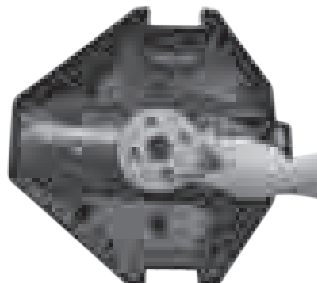
### Mantenimiento y almacenamiento

1. La batería se descarga durante el almacenamiento. Asegúrese de cargar completamente el robot antes de guardarlo.
2. Debe recargar la batería por lo menos una vez cada tres meses cuando no se use el robot.
  - Desenchufe el adaptador externo de la toma de corriente, y luego desenchufe el cable de carga del adaptador externo y del robot.
  - Desmonte los accesorios del robot. Si fuera necesario, aclare el robot y sus accesorios con agua limpia. NO utilice detergentes.
  - Compruebe haber vaciado toda el agua del robot antes de almacenarlo.
  - Use un paño húmedo para limpiar el robot y sus accesorios, y séquelos bien.
  - Guárdelo en un lugar bien ventilado y protegido de la luz del sol, del calor, de fuentes de ignición, de productos químicos para piscina y fuera del alcance de los niños. La temperatura ambiente de almacenamiento debe ser de 10°C a 25°C (50°F a 77°F). **NOTA:** Una temperatura más alta puede disminuir la vida útil de la batería.

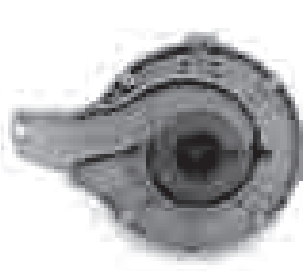
### Extracción de la batería

Herramientas aconsejadas (no incluidas): Destornillador.

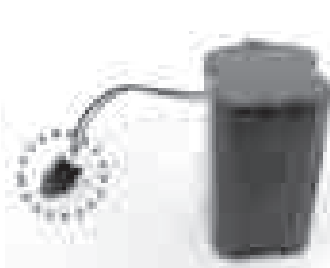
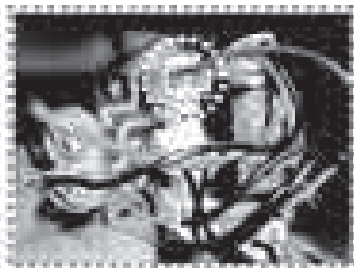
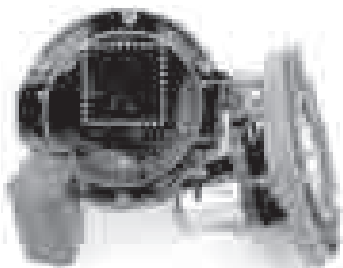
1. Suelte la cubierta superior (premontada con el cabezal giratorio). Voltee la cubierta y suelte el cabezal giratorio, girando hacia la izquierda su placa de bloqueo inferior. Retire el anillo regulador giratorio.



2. Use el destornillador para aflojar los 4 tornillos presentes en la parte inferior del cabezal, para soltar en primer lugar la placa inferior. Use el destornillador para aflojar todos los tornillos de la base, como se ve en la figura. Retire el impulsor y luego haga palanca en la base y retírela para dejar a la vista el interior del cabezal.



3. Retire el paquete de baterías para dejar a la vista el PCBA. Para soltar el cable de conexión de la batería, presione el clip del conector y luego tire de él hacia afuera. **NOTA:** Envuelva inmediatamente el conector con cinta aisladora, para evitar cortocircuitos provocados por el contacto de los dos terminales del cable.



## ELIMINACIÓN

Los productos eléctricos no deben desecharse con la basura doméstica. Recicle en las instalaciones correspondientes. Consulte con las autoridades locales o su distribuidor para obtener consejos de reciclaje.

## RESOLUCIÓN DE PROBLEMAS

Problema	Causa posible	Solución
El robot no aspira residuos.	La batería se está agotando.	Vuelva a cargar el robot.
	El propulsor está atascado.	Apague el robot e inspeccione el agujero situado bajo la cabeza giratoria para comprobar si hay residuos de mayor tamaño que atasquen el impulsor. Para recibir asistencia, visite la sección de soporte de nuestro sitio web: <a href="http://www.bestwaycorp.com">www.bestwaycorp.com</a> . <b>ADVERTENCIA:</b> asegúrese de que el robot está apagado cuando se realiza el mantenimiento de la unidad.
	La boquilla de succión está obstruida.	Retire los objetos atascados de la boca de succión.
	El impulsor está roto.	Para recibir asistencia, visite la sección de soporte de nuestro sitio web: <a href="http://www.bestwaycorp.com">www.bestwaycorp.com</a> .
	El compartimento de residuos está lleno.	Limpie el compartimento de residuos y la tapa del filtro.
El robot dejó de moverse en medio de la piscina, pero la cabeza giratoria sigue funcionando.	El robot se ha detenido por un obstáculo o por pliegues grandes del revestimiento de la piscina.	Compruebe si hay algo que esté obstruyendo el limpiador. Elimine el obstáculo.
	El robot se ha detenido debido a la succión desde el drenaje principal del suelo de la piscina.	Apague el sistema de filtración como se indica en el manual.
La cabeza giratoria gira repetidamente.	Hay aire dentro del robot.	El cabezal giratorio puede girar repetidamente durante unos minutos una vez que el robot se haya hundido hasta el fondo de la piscina. Esto dejará de suceder cuando el aire atrapado en el interior del robot se descargue gradualmente; el robot comenzará a moverse regularmente.
El robot no cubre toda la piscina.	El compartimento de residuos está lleno.	Limpie el compartimento de residuos.
	El tiempo de funcionamiento es más corto de lo esperado.	Limpie el compartimento del filtro y recargue el robot durante 6 horas.
	La dirección del movimiento se interrumpe por la circulación de agua generada por el sistema de filtración.	Apague el sistema de filtración (como se indica en el manual de filtración) al menos durante 15 minutos antes de la operación del robot.
	La rueda está atascada.	Compruebe y limpie los residuos de la rueda.
	La posición del pin de bloqueo no está configurada correctamente.	Siga las instrucciones para ajustar la posición del pin de bloqueo.
	Las algas hacen que el suelo de la piscina esté resbaladizo y el robot funciona en círculos.	Limpie el fondo de la piscina y las ruedas del robot para eliminar las algas.
El robot se mueve a lo largo de la pared de la piscina.	La posición del pin de bloqueo no está ajustada correctamente/la dirección de la orientación del robot es incorrecta en el inicio.	Siga las instrucciones para ajustar la posición del pin de bloqueo. Asegúrese de que la parte delantera/trasera del robot mire hacia la pared de la piscina en el inicio.
El robot se mueve lentamente o no se mueve.	El compartimento de residuos está lleno o la tapa del filtro está obstruida.	Limpie el compartimento de residuos. Enjuague la pantalla con agua para eliminar partículas pequeñas. Si considera necesario cepillarla, utilice un cepillo suave para limpiarla con cuidado. <b>Nota:</b> asegúrese de que la tapa del filtro está colocada antes de que vuelva a funcionar.
	La boquilla de succión está obstruida.	Retire los objetos atascados de la boquilla de succión.
	El impulsor está atascado.	Apague el robot e inspeccione el agujero situado bajo la cabeza giratoria para comprobar si hay residuos de mayor tamaño que atasquen el impulsor. Para recibir asistencia, visite la sección de soporte de nuestro sitio web: <a href="http://www.bestwaycorp.com">www.bestwaycorp.com</a> . <b>ADVERTENCIA:</b> asegúrese de que el robot está apagado cuando se realiza el mantenimiento de la unidad.

<p>La cabeza giratoria no gira o gira de forma muy lenta.</p>	<p>La aleta lateral no sube.</p>	<p>Compruebe y elimine cualquier residuo que dificulte el movimiento de la aleta.</p>
	<p>La parte inferior de la cabeza giratoria está atascada.</p>	<p>Separe el cabezal giratorio y el anillo de suavizado según las instrucciones de la sección «Cómo extraer la batería del manual» y después:</p> <ul style="list-style-type: none"> <li>- Elimine los residuos atascados.</li> <li>- Compruebe que el anillo de suavizado y la placa inferior están correctamente instalados (consulte los diagramas que figuran a continuación).</li> <li>- Inspeccione el anillo de alisado por si hay daños y desgaste. Reemplácelo con uno nuevo si es necesario.</li> </ul>
		
<p>Los residuos se filtran del robot.</p>	<p>La aleta de la boquilla de succión (en la parte inferior más limpia) está dañada.</p>	<p>La aleta de la boquilla de succión funciona a modo de puerta para evitar que los residuos se salgan del filtro. Para recibir asistencia, visite la sección de soporte de nuestro sitio web: <a href="http://www.bestwaycorp.com">www.bestwaycorp.com</a>.</p>
	<p>Los residuos obstruyen la boquilla de succión y evitan que la aleta se cierre.</p>	<p>Retire los residuos atascados de la boquilla de succión.</p>
<p>Los residuos se filtran fuera de la cubierta del filtro.</p>	<p>La red de la cubierta del filtro está dañada.</p>	<p>Sustitúyala por una nueva cubierta de filtro. Para recibir asistencia, visite la sección de soporte de nuestro sitio web: <a href="http://www.bestwaycorp.com">www.bestwaycorp.com</a>.</p>
<p>El flotador redondo filtra agua.</p>	<p>El flotador está roto y el agua se filtra.</p>	<p>Reemplácelo por un nuevo flotador. Para recibir asistencia, visite la sección de soporte de nuestro sitio web: <a href="http://www.bestwaycorp.com">www.bestwaycorp.com</a>.</p>
<p>El funcionamiento del robot dura menos de lo esperado.</p>	<p>La batería no está cargada por completo.</p>	<p>Cargue el robot durante al menos 6 horas.</p>
<p>El robot no se puede cargar/recargar.</p>	<p>La batería está dañada.</p>	<p>Para recibir asistencia, visite la sección de soporte de nuestro sitio web: <a href="http://www.bestwaycorp.com">www.bestwaycorp.com</a>. <b>ADVERTENCIA:</b> NO reemplace la batería usted mismo. La garantía se anulará como resultado y podría provocar lesiones graves o mortales.</p>
	<p>La base de carga no está conectada por completo al adaptador externo y al robot.</p>	<p>Asegúrese de que la base del cargador está conectada con un adaptador externo y un robot de manera adecuada y por completo. Consulte el manual de instrucciones.</p>
	<p>El adaptador externo está fuera de servicio.</p>	<p>Para recibir asistencia, visite la sección de soporte de nuestro sitio web: <a href="http://www.bestwaycorp.com">www.bestwaycorp.com</a>. <b>ADVERTENCIA:</b> el uso del adaptador externo de forma incorrecta provocará daños en el robot o en la batería y, como resultado, anulará la garantía.</p>



## BENUTZERHANDBUCH

Besuchen Sie den YouTube-Kanal von Bestway 

### WICHTIGE SICHERHEITSANWEISUNGEN

BITTE LESEN SIE DIE FOLGENDEN SICHERHEITSHINWEISE UND ANLEITUNGEN VOR DER VERWENDUNG DES GERÄTS SORGFÄLTIG DURCH UND BEWAHREN SIE SIE ZUM NACHSCHLAGEN AUF.

- Dies ist kein SPIELZEUG. Halten Sie Kinder von dem Roboter und dessen Zubehör fern.
- Gestatten Sie Kindern nicht, dieses Produkt zu bedienen.
- Dieser Roboter ist nicht zur Verwendung durch Personen mit verminderten physischen, sensorischen oder geistigen Fähigkeiten oder ohne Erfahrung mit dem oder Kenntnisse über das Gerät bestimmt, sofern sie nicht beaufsichtigt werden und eine entsprechende Einweisung zum sicheren Umgang mit dem Gerät von einer für ihre Sicherheit verantwortlichen Person erhalten haben.
- Vor der Inbetriebnahme ist der Roboter vollständig in das Wasser einzutauchen. Der Mindestwasserstand für den Betrieb des Geräts liegt oberhalb des Drehaufsatzes des Roboters. Wird der Roboter betrieben, während er nicht vollständig unter Wasser getaucht ist, kann er Schaden nehmen und die Garantie erlischt.
- Die Maximaltiefe für den Betrieb beträgt 3 Meter.
- Die Betriebstemperatur des Wasser beträgt: 5 °C - 35 °C.
- Verwenden Sie zum Aufladen des Akkus nur das mitgelieferte abnehmbare Ladegerät (externer Ladeadapter).
-  Abnehmbares Ladegerät (externer Ladeadapter).
- Verwenden Sie zum Aufladen des Akkus nur das abnehmbare Ladegerät (externer Ladeadapter: DSS18-0842000-B / DSS18-0842000-C) und die Ladestation, die im Lieferumfang dieses Roboters enthalten sind.
- **WARNUNG** - Dieses Gerät kann von Kindern ab 8 Jahren und darüber sowie von Personen mit verringerten physischen, sensorischen oder mentalen Fähigkeiten oder Mangel an Erfahrung und Wissen benutzt werden, wenn sie beaufsichtigt oder bezüglich des sicheren Gebrauchs des Gerätes unterwiesen wurden und die daraus resultierenden Gefahren verstehen. Kinder dürfen nicht mit dem Gerät spielen. Reinigung und Benutzer-Wartung dürfen nicht von Kindern ohne Beaufsichtigung durchgeführt werden. (Märkte innerhalb der EU)
- **WARNUNG** - Dieses Gerät ist nicht zur Verwendung durch Personen (einschließlich Kinder) mit verminderten physischen,

sensorischen oder geistigen Fähigkeiten oder ohne Erfahrung mit dem oder Kenntnisse über das Gerät bestimmt, sofern sie nicht beaufsichtigt werden oder eine entsprechende Einweisung zum sicheren Umgang mit dem Gerät von einer für ihre Sicherheit verantwortlichen Person erhalten haben. Kinder sollten beaufsichtigt werden, um ein Spielen mit dem Gerät zu verhindern. (Märkte außerhalb der EU)

- Schließen Sie den externen Ladeadapter über eine Fehlerstromschutzeinrichtung (RCD) bzw. einen FI-Schutzschalter (GFCI) an die Stromquelle an. Für weitere Informationen wenden Sie sich an einen fachkundigen Elektriker.
- Der Roboter ist in schadhaftem Zustand nicht zu verwenden.
- Defekte Teile sind so bald wie möglich zu ersetzen. Verwenden Sie nur vom Vertreiber oder Hersteller zugelassene Ersatzteile.
- Schalten Sie den Roboter aus, trennen Sie den externen Ladeadapter zuerst von der Stromquelle und dann von der Ladestation, bevor Sie den Roboter von der Ladestation abnehmen.
- Trennen Sie die Pumpe von der Stromversorgung, bevor Sie Wartungsarbeiten wie die Reinigung des Filters durchführen.
- Bei dem enthaltenen Akku handelt es sich um einen Lithium-Ionen-Akku. Versuchen Sie nicht, diesen auszutauschen.
- Der Roboter ist nur mithilfe des mit dem Produkt mitgelieferten Ladeadapters und der Ladestation aufzuladen.
- Berühren Sie den Roboter, den Ladeadapter und die Ladestation während des Ladevorgangs NICHT mit nassen Gliedmaßen und ohne Schuhe.
- Nehmen Sie den Roboter nicht in Betrieb, während sich Personen/Haustiere im Wasser befinden.
- Verwenden Sie den Roboter NICHT ohne intakten Filter, da anderenfalls die Herstellergarantie erlischt.
- Einsauggefahr: This robot generates suction. Do not allow hair, body, and any loose parts of your clothing to make contact with the suction hole of the robot during its operation.
- Führen Sie keine Körperteile, Kleidung und andere Gegenstände in die Öffnungen und beweglichen Teile des Roboters ein.
- Der Roboter ist NICHT zu verwenden, um giftige Substanzen bzw. brennbare und entzündliche Flüssigkeiten wie Benzin aufzunehmen; auch ist er in Gegenwart explosiver oder entzündlicher Dämpfe nicht einzusetzen.
- Der Roboter ist keinesfalls zu zerlegen, um den Impeller, den Motor oder den Akku selbst zu ersetzen.
- Führen Sie keine Finger oder Gegenstände ein, um den Impeller zu berühren.
- Der Roboter darf nicht von Kindern verwendet werden.
- Vor der Entsorgung ist der Akku aus dem Roboter zu entfernen.
- Der im Roboter enthaltene Akku darf nur von Fachleuten entnommen werden.
- Der Roboter ist für das Entfernen des Akkus von der Stromversorgung zu trennen.
- Weitere Informationen zur Entsorgung des Akkus entnehmen Sie dem Abschnitt „Entsorgung des Akkus“ in dieser Bedienungsanleitung.
- Der Akku ist in Einklang mit den örtlichen Bestimmungen auf sichere Weise zu entsorgen.
- Beim Akku des Roboters handelt es sich um einen wartungsfreien,

wiederaufladbaren Lithium-Ionen-Akku, der vorschriftsgemäß zu entsorgen ist. Recycling ist vorgeschrieben; wenden Sie sich für weitere Informationen an Ihre Behörden vor Ort.

- Externer Ladeadapter und Ladestation:
  - Verwenden Sie den externen Ladeadapter und die Ladestation zu keinen anderen Zwecken als zum Aufladen des Akkus des im Lieferumfang enthaltenen Roboters.
  - Der externe Ladeadapter und die Ladestation sind nicht für die Verwendung im Außenbereich geeignet und dürfen Regen, Feuchtigkeit, Flüssigkeiten oder Hitze nicht ausgesetzt werden.
  - Der Transformator (oder externe Ladeadapter) muss sich außerhalb von Zone 1 befinden.
  - Halten Sie den externen Ladeadapter und die Ladestation außer Reichweite von Kindern.
  - Verwenden Sie den externen Ladeadapter und die Ladestation nicht in schadhaftem Zustand.
  - Handhaben Sie den externen Ladeadapter und die Ladestation nicht mit nassen Händen.
  - Trennen Sie den externen Ladeadapter bei Nichtverwendung von der Stromversorgung.
  - Versuchen Sie nicht, den externen Ladeadapter zu öffnen.
  - Zur Gefahrenvermeidung sind beschädigte Stromkabel vom Hersteller, seinen Servicestellen oder ähnlich fachkundigen Personen zu ersetzen.
  - Achten Sie darauf, dass der Roboter komplett trocken ist, bevor Sie ihn aufladen.

#### BATTERIEENTSORGUNG:

Recycling ist erforderlich; bitte wenden Sie sich für weitere Informationen an Ihre örtliche Behörde.

- Der Akku muss vor der Entsorgung des Poolsaugers aus dem Sauger genommen werden.
- Der Pool-Sauger muss vom Transformator getrennt werden, wenn der Akku herausgenommen wird.
- Der Akku muss sicher entsorgt werden.

#### VORSICHT!

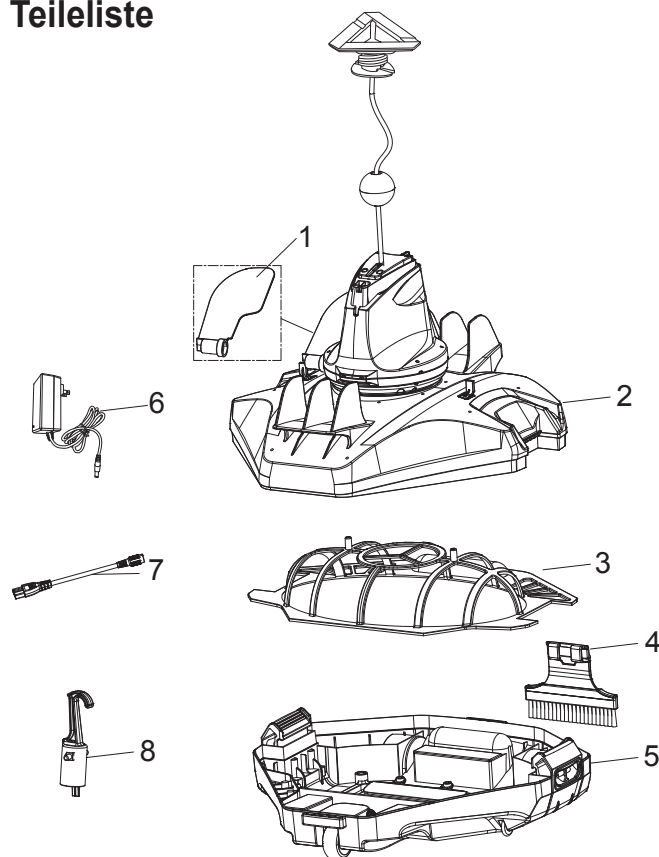
- Der Roboter ist nur zur Verwendung unter Wasser geeignet; es handelt sich nicht um einen Allzwecksauger. Versuchen Sie NICHT, mit ihm etwas anderes als Ihren Pool zu reinigen.
- Verwenden Sie nur das mit dem Produkt mitgelieferte Originalzubehör.
- Der Roboter ist NICHT direkt im Anschluss an eine Schockbehandlung des Pools zu verwenden. Es empfiehlt sich eine Wartezeit von 24-48 Stunden, während der das Poolwasser zirkuliert.
- Stellen Sie bei der Verwendung des Roboters in einem Salzwasserpool zunächst sicher, dass sich alles Salz aufgelöst hat, bevor Sie das Gerät ins Wasser tauchen.
- Von der gleichzeitigen Nutzung des Roboters mit einem weiteren (automatischen) Reinigungsgerät wird abgeraten.
- Um den Roboter und den Filter nicht zu beschädigen, nehmen Sie mit diesem Produkt keine harten, scharfen Gegenstände auf.
- Um eine Beschädigung des externen Ladeadapters und der Ladestation zu vermeiden, heben Sie den Roboter nicht am Ladekabel hoch und ziehen Sie nicht am Kabel, um das Produkt von der Stromversorgung und der Ladestation zu trennen.

- Laden Sie den Roboter in einem sauberen, trockenen Innenraum mit guter Belüftung und ohne Sonneneinstrahlung auf.
- Laden Sie den Roboter NICHT länger als 10 Stunden lang auf.
- Bei längerer Nichtverwendung des Roboters nehmen Sie ihn von der Ladestation und reinigen ihn samt Zubehör mit einem feuchten Tuch. Der Ladestand des Akkus sollte vor der Lagerung 30 bis 50 Prozent betragen. Lagern Sie das Gerät an einem gut belüfteten Ort, der sich entfernt von Sonneneinstrahlung, Hitzequellen, Zündfunken, Poolchemikalien und Kindern befindet. Laden Sie den Roboter alle drei Monate neu auf.
- Alle Maßnahmen in Zusammenhang mit dem Zerlegen des Drehaufsatzes (z. B. Entsorgung des Akkus) sind von einem fachkundigen Techniker durchzuführen.

**Oben aufgeführte Warnhinweise und Vorsichtsmaßnahmen umfassen nicht alle denkbaren Gefahrenquellen und Verletzungsgefahren.** Besitzer von Pools oder Whirlpools sollten bei der Verwendung des Produkts besondere Vorsicht und den gesunden Menschenverstand walten lassen.

#### BEWAHREN SIE DIESE ANWEISUNGEN AUF

#### Teilleiste



Teile-Nr.	Teile-	Menge
1	P05700	1
2	P05626	1
3	P05628	1
4	P05632	1
5	P05627	1
6	P05696	1
7	P03880	1
8	P03879	1

Der Roboter besitzt eine Wasserantriebsdüse auf der unteren Seite des Drehaufsatzes. Zunächst wird das Wasser auf der Unterseite des Roboters durch den Saugmund eingesaugt, dann wird es durch den Filter geleitet und schließlich über die Antriebsdüse ausgestoßen. Der Wasserstrahl aus der Düse sorgt für die Vorwärtsbewegung des Roboters. Wenn der Roboter gegen ein Hindernis wie die Wand des Pools stößt, bewegt sich seine Seitenklappe und der Drehaufsatz dreht sich um 180°, wodurch sich der Roboter in die entgegengesetzte Richtung bewegt. Der Roboter bewegt sich im Allgemeinen geradeaus in die eine Richtung und in einem Bogen in die andere Richtung. Der Roboter reinigt den Poolboden in der Bewegung und fängt dabei den Schmutz in dem dafür vorgesehenen Behälter auf.

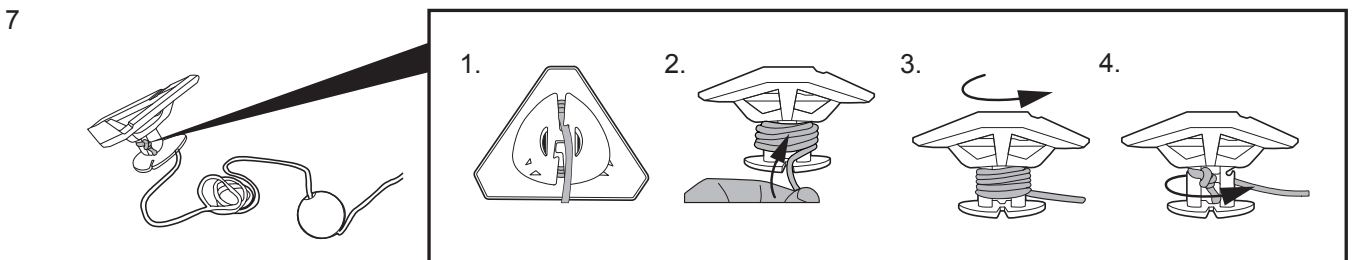
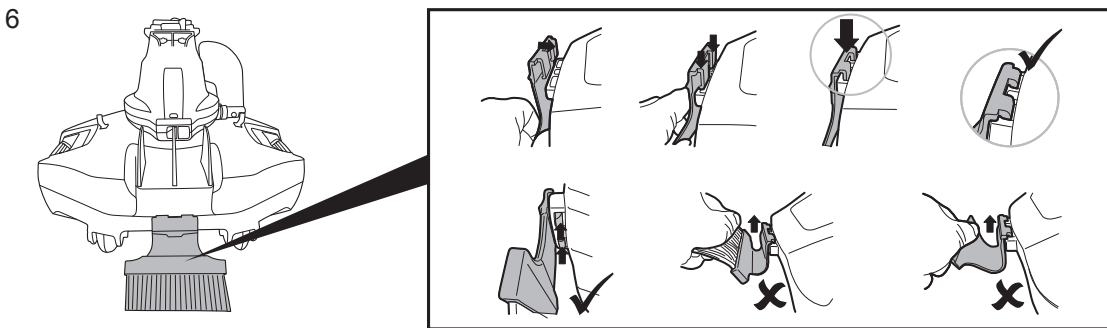
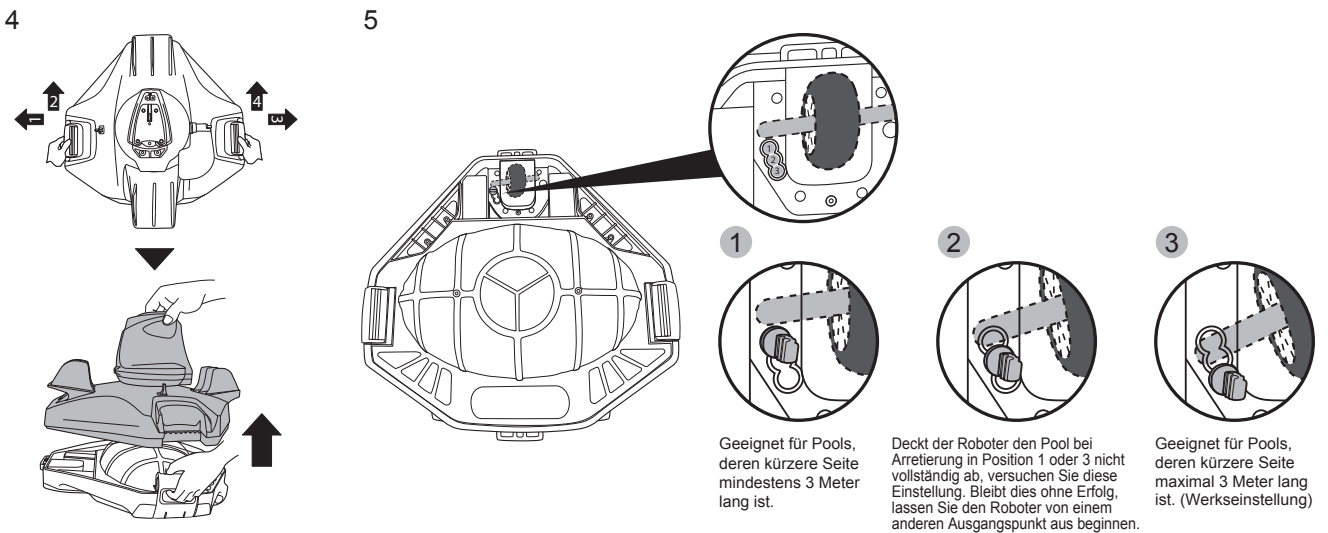
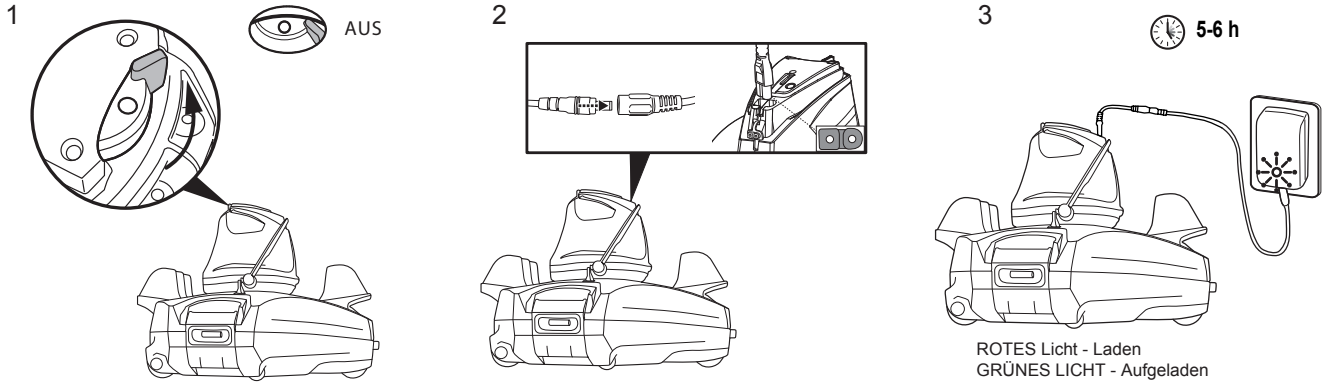


## Montage und Betrieb

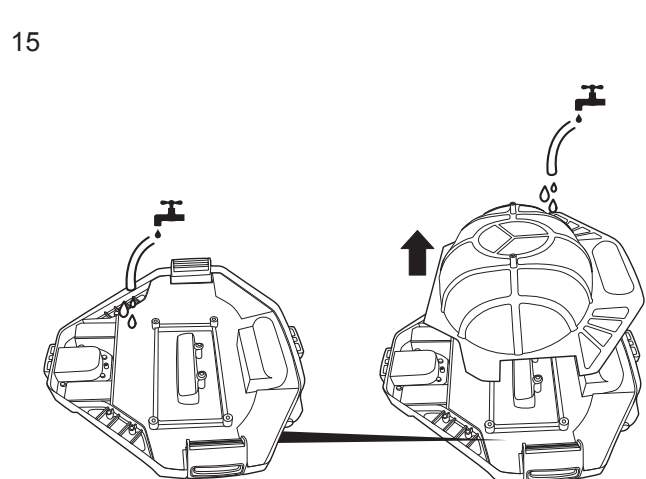
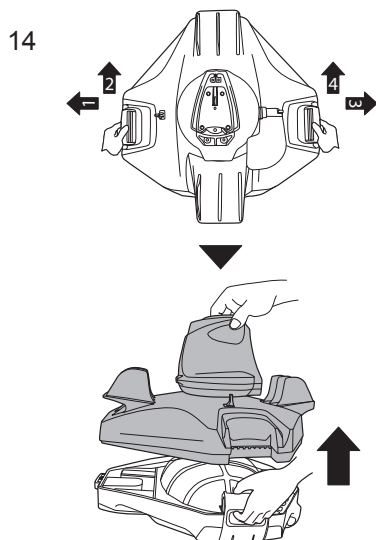
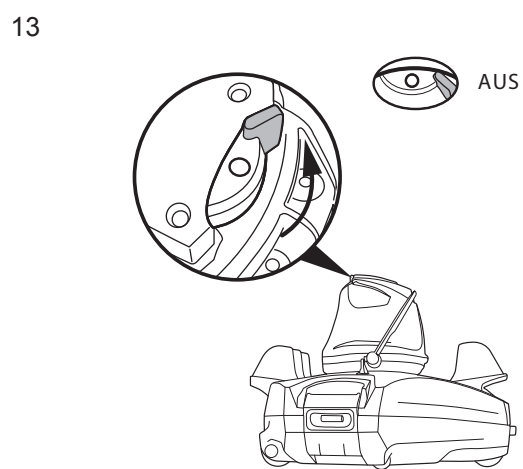
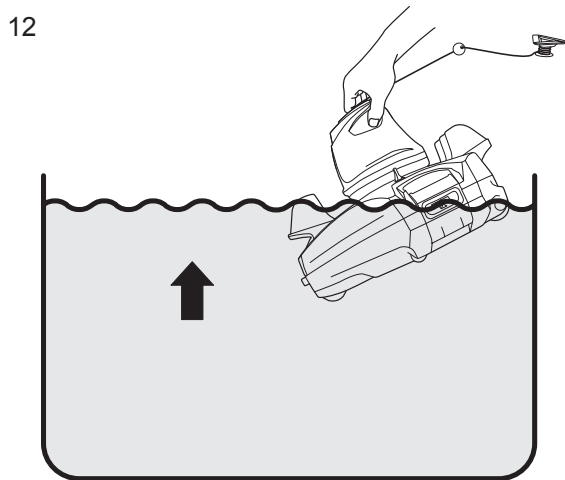
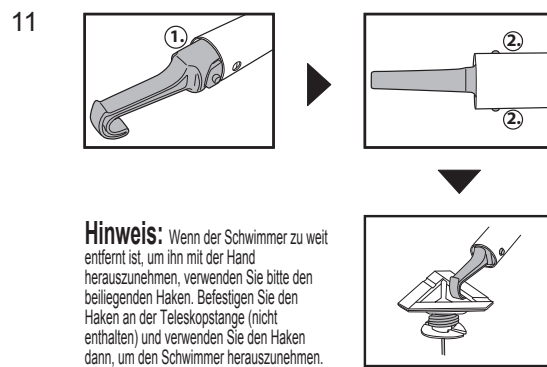
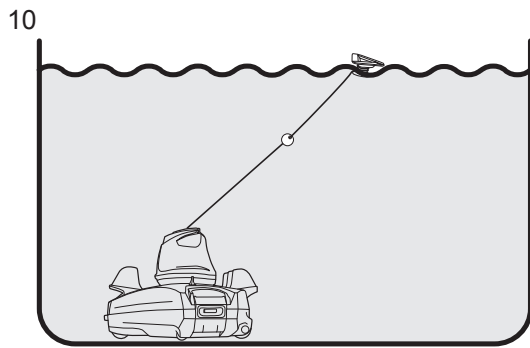
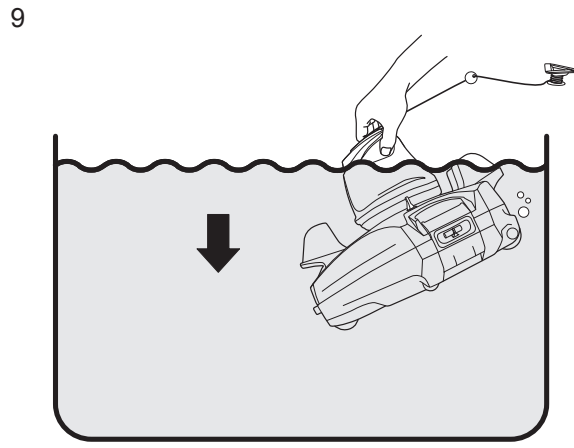
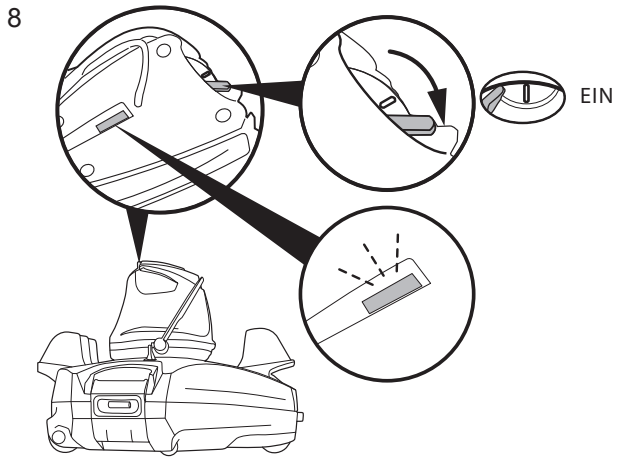
**WARNUNG:** Für den Ladevorgang

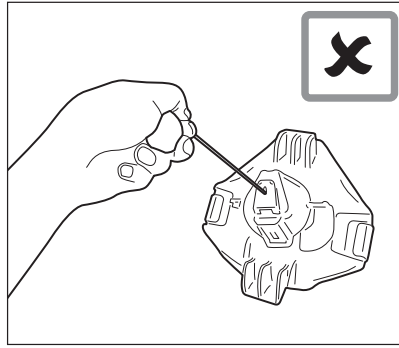
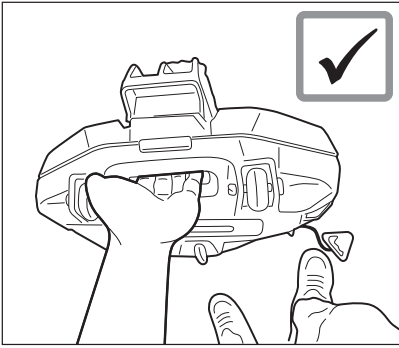
- Verwenden Sie ausschließlich den externen Adapter und das beiliegende Ladekabel.
- Vergewissern Sie sich bei der Ladevorbereitung, dass der Roboteranschluss und der Ladeanschluss sauber sind.
- Schalten Sie den Roboter vor dem Aufladen aus, indem Sie den Schalter in die Stellung „OFF“ (AUS) schieben.
- Laden Sie den Roboter vor der erstmaligen Verwendung vollständig auf (circa 5 bis 6 Stunden).
- Netzleuchte: Kein Licht - Ausgeschaltet/kein Strom  
Licht - Eingeschaltet  
Blinkendes Licht – die Batterieleistung ist nur noch für 10 Minuten ausreichend.

**Hinweis:** Sobald der Roboter den Ladevorgang beginnt, leuchtet die Meldeleuchte am externen Adapter rot. Wenn der Roboter nahezu vollständig aufgeladen ist, leuchtet die Meldeleuchte Grün.

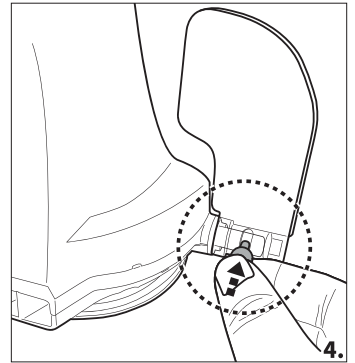
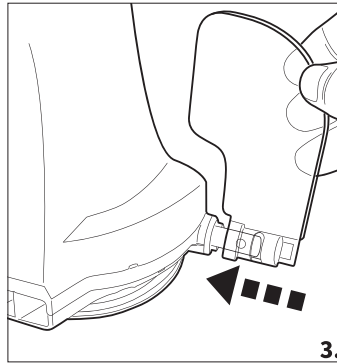
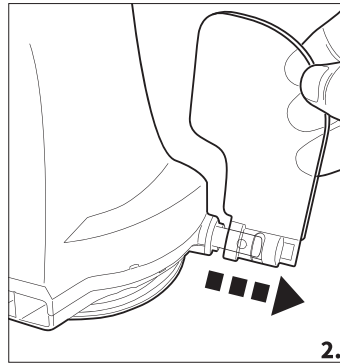
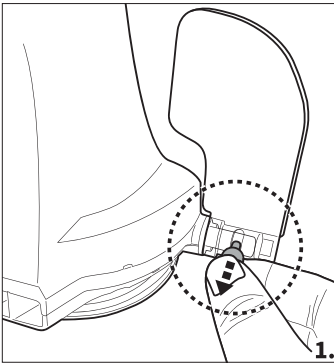


**Hinweis:** Nehmen Sie die Schwimmerabdeckung ab und lassen Sie das Schwimmerseil bis zur Tiefe des Poolwassers ab, plus circa 0,5 m (19.7in.).





### Ersetzen der Klappe



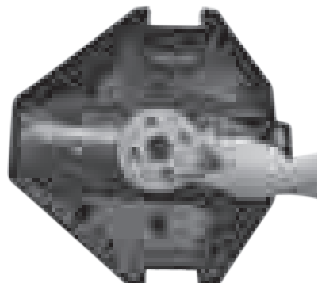
### Pflege und Lagerung

1. Der Akku entlädt sich während der Lagerung von selbst. Stellen Sie sicher, dass Sie den Roboter vor der Einlagerung vollständig aufladen.
  2. Sie müssen den Akku mindestens einmal alle drei Monate aufladen, wenn er nicht in Gebrauch ist.
- Trennen Sie den externen Adapter vom Anschluss und ziehen Sie das externe Ladekabel vom externen Adapter und dem Roboter ab.
  - Lösen Sie das Zubehör vom Roboter. Reinigen Sie den Roboter und das Zubehör ggf. mit Wasser. Verwenden Sie KEIN Reinigungsmittel.
  - Lassen Sie das gesamte Wasser vor der Einlagerung aus dem Roboter ab.
  - Reinigen Sie den Roboter mit einem angefeuchteten Tuch und lassen Sie ihn trocknen.
  - In einem gut belüfteten Bereich lagern, fern von Sonneneinstrahlung, Hitzequellen, Zündquellen und Poolchemikalien sowie stets außerhalb der Reichweite von Kindern.
- Umgebungstemperatur für die Lagerung: 10°C – 25°C (50°F – 77°F). **HINWEIS:** Höhere Temperaturen während der Lagerung können zu einer Verschlechterung der Akkulebensdauer beitragen.

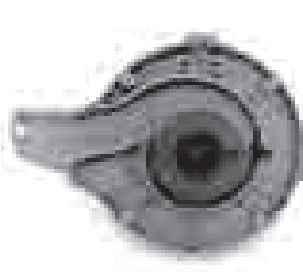
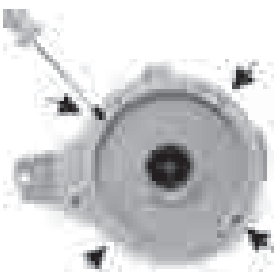
### So entfernen und entsorgen Sie den Akkusatz

Empfohlene Werkzeuge (nicht enthalten) Schraubendreher.

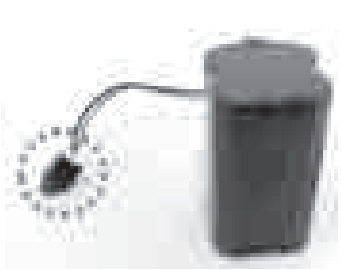
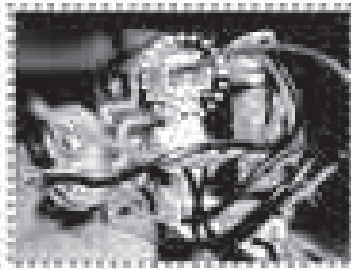
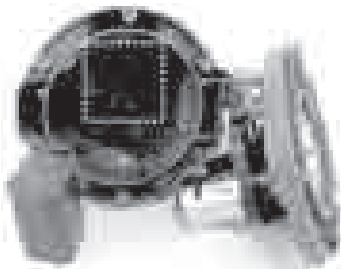
1. Lösen Sie die obere Abdeckung (vormontiert am Schwenkkopf). Drehen Sie die Abdeckung um und lösen Sie den Schwenkkopf, indem Sie die untere Verschlussplatte gegen den Uhrzeigersinn drehen. Lösen Sie den Schwenkgleitring.



2. Lösen Sie vier (4) Schrauben am Boden des Kopfes mit einem Schraubendreher, um zuerst die Bodenplatte abzunehmen. Lösen Sie alle Schrauben, wie abgebildet, mit einem Schraubendreher. Nehmen Sie das Schwungrad heraus, hebeln Sie den Sockel frei und nehmen Sie ihn heraus, um das Innere des Kopfes freizulegen.



3. Nehmen Sie den Akkusatz heraus, um die Leiterplatte freizulegen. Um das Akkuanschlusskabel zu lösen, drücken Sie die Klammer am Steckverbinder und ziehen es heraus. **HINWEIS:** Wickeln Sie sofort Isolierband um den Steckverbinder, damit ein Kurzschluss infolge des Kontakts der beiden Drähte verhindert wird.



### ENTSORGUNG

Elektroaltgeräte dürfen nicht über den Hausmüll entsorgt werden. Bitte geben Sie das Produkt zum Recyceln an eine entsprechende Einrichtung. Erkundigen Sie sich dafür bei Ihrer örtlichen Behörde oder Ihrem Händler.

### FEHLERDIAGNOSE

Problem	Mögliche Ursache	Lösung
Roboter nimmt keinen Schmutz auf	Niedriger Ladestand des Akkus	Roboter erneut aufladen.
	Schwungrad blockiert.	Trennen Sie den Roboter von der Stromversorgung und untersuchen Sie die Öffnung unter dem Drehaufsatz, um festzustellen, ob der Impeller durch grobe Schmutzpartikel blockiert ist. Für weitere Informationen besuchen Sie unsere Hilfeseiten im Internet unter <a href="http://www.bestwaycorp.com">www.bestwaycorp.com</a> . <b>WARNHINWEIS!</b> Achten Sie darauf, dass der Roboter ausgeschaltet ist, bevor Sie Wartungsarbeiten durchführen.
	Der Saugmund ist verstopft	Entfernen Sie die Objekte aus dem Saugmund.
	Der Impeller ist defekt	Für weitere Informationen besuchen Sie unsere Hilfeseiten im Internet unter <a href="http://www.bestwaycorp.com">www.bestwaycorp.com</a> .
	Der Schmutzauffangbehälter ist voll	Reinigen Sie den Schmutzauffangbehälter und die Filterabdeckung.
Der Roboter stoppt mitten im Pool in der Bewegung, doch der Drehaufsatz dreht sich noch	Der Roboter wurde durch ein Hindernis oder größere Falten in der Poolfolie gestoppt	Überprüfen Sie, ob dem Reinigungsgerät etwas im Weg ist. Entfernen Sie das Hindernis.
	Der Roboter wird durch den Sog des Hauptabflusses am Poolboden gestoppt	Schalten Sie die Filteranlage wie in der Bedienungsanleitung beschrieben aus.
Der Drehaufsatz dreht sich mehrmals	Es ist Luft im Roboter eingeschlossen	Wenn der Roboter auf den Poolboden sinkt, kann sich der Drehaufsatz einige Minuten lang drehen. Das Drehen stoppt, sobald die im Roboter eingeschlossene Luft nach und nach entwichen ist. Dann nimmt der Roboter seine normale Bewegung auf.
Der Roboter reinigt den Pool nicht vollständig	Der Schmutzauffangbehälter ist voll	Reinigen Sie den Schmutzauffangbehälter
	Die Betriebszeit ist kürzer als erwartet	Reinigen Sie den Filterbehälter und laden Sie den Roboter 6 Stunden lang auf
	Die Bewegungsrichtung wird durch den Wasserkreislauf der Filteranlage abgelenkt	Schalten Sie die Filteranlage (wie in der Bedienungsanleitung beschrieben) mindestens 15 Minuten vor Inbetriebnahme des Roboters aus.
	Ein Rad ist blockiert	Überprüfen Sie das Rad und befreien Sie es von Verschmutzungen.
	Die Position des Arretierstifts ist nicht korrekt gewählt.	Passen Sie die Position des Arretierstifts entsprechend den Anweisungen an.
	Der Poolboden ist durch Algenbildung rutschig geworden, sodass sich der Roboter im Kreis dreht	Reinigen Sie den Poolboden und die Räder des Roboters, um die Algen zu entfernen
Der Roboter bewegt sich entlang der Poolwand	Die Position des Arretierstifts ist nicht korrekt gewählt / Die Startrichtung des Roboters war nicht korrekt	Passen Sie die Einstellung des Arretierstifts entsprechend den Anweisungen an. Stellen Sie sicher, dass die Vorder-/Rückseite des Roboters zu Beginn in Richtung Poolwand weist.
Der Roboter bewegt sich langsam oder gar nicht	Der Schmutzauffangbehälter ist voll oder die Filterabdeckung ist verstopft	Reinigen Sie den Schmutzauffangbehälter. Spülen Sie das Sieb mit Wasser, um kleine Partikel zu entfernen. Verwenden Sie gegebenenfalls eine weiche Bürste, um das Sieb vorsichtig zu reinigen. <b>Bitte beachten:</b> Setzen Sie die Filterabdeckung vor dem nächsten Betrieb wieder ein
	Der Saugmund ist verstopft	Entfernen Sie die Objekte aus dem Saugmund
	Der Impeller ist blockiert	Trennen Sie den Roboter von der Stromversorgung und untersuchen Sie die Öffnung unter dem Drehaufsatz, um festzustellen, ob der Impeller durch grobe Schmutzpartikel blockiert ist. Für weitere Informationen besuchen Sie unsere Hilfeseiten im Internet unter <a href="http://www.bestwaycorp.com">www.bestwaycorp.com</a> . <b>WARNHINWEIS!</b> Achten Sie darauf, dass der Roboter ausgeschaltet ist, bevor Sie Wartungsarbeiten durchführen.

Der Drehaufsatz dreht sich nicht oder dreht sich deutlich langsamer	Die Seitenklappe stellt sich nicht auf	Entfernen Sie gegebenenfalls Verschmutzungen, die die Bewegung der Klappe verhindern.
	Die untere Seite des Drehaufsatzes ist blockiert	Nehmen Sie Drehaufsatz und Gleitring entsprechend den Anweisungen im Abschnitt „Entfernen des Akkus“ in der Bedienungsanleitung ab und: <ul style="list-style-type: none"> <li>- Entfernen Sie den eingeschlossenen Schmutz</li> <li>- Stellen Sie sicher, dass Gleitring und Bodenplatte korrekt eingesetzt sind (siehe Abbildungen unten)</li> <li>- Überprüfen Sie den Gleitring auf Schäden und Abnutzung. Ersetzen Sie ihn gegebenenfalls durch einen neuen</li> </ul>
Aus dem Roboter tritt Schmutz aus	Die Klappe des Saugmunds (am Boden des Reinigungsgeräts) ist beschädigt	Die Klappe des Saugmunds sorgt dafür, dass kein Schmutz aus dem Schmutzauffangbehälter austreten kann. Für weitere Informationen besuchen Sie unsere Hilfeseiten im Internet unter <a href="http://www.bestwaycorp.com">www.bestwaycorp.com</a> .
	Schmutz hat den Saugmund verstopft und verhindert das Schließen der Klappe	Entfernen Sie den Schmutz aus dem Saugmund.
Schmutz tritt aus der Filterabdeckung aus	Das Netz der Filterabdeckung ist beschädigt	Ersetzen Sie sie durch eine neue Filterabdeckung. Für weitere Informationen besuchen Sie unsere Hilfeseiten im Internet unter <a href="http://www.bestwaycorp.com">www.bestwaycorp.com</a> .
Der runde Schwimmer sinkt	Der Schwimmer ist defekt und es tritt Wasser ein	Ersetzen Sie ihn durch einen neuen Schwimmer. Für weitere Informationen besuchen Sie unsere Hilfeseiten im Internet unter <a href="http://www.bestwaycorp.com">www.bestwaycorp.com</a> .
Die Betriebszeit des Roboters ist kürzer als angegeben	Der Akku ist nicht vollständig aufgeladen	Laden Sie den Roboter mindestens 6 Stunden lang auf
Der Roboter lässt sich nicht (wieder) aufladen	Der Akku ist defekt	Für weitere Informationen besuchen Sie unsere Hilfeseiten im Internet unter <a href="http://www.bestwaycorp.com">www.bestwaycorp.com</a> . <b>WARNHINWEIS!</b> Ersetzen Sie den Akku NICHT selbst. Es besteht Verletzungsgefahr und der Garantieanspruch entfällt.
	Die Ladestation ist nicht vollständig an externen Ladeadapter und Roboter angeschlossen	Schließen Sie die Ladestation korrekt und vollständig an den externen Ladeadapter und den Roboter an. Halten Sie sich dabei an die Bedienungsanleitung.
	Der externe Ladeadapter ist defekt	Für weitere Informationen besuchen Sie unsere Hilfeseiten im Internet unter <a href="http://www.bestwaycorp.com">www.bestwaycorp.com</a> . <b>WARNHINWEIS!</b> Die Verwendung eines falschen externen Ladeadapters beschädigt den Roboter bzw. den Akku und die Herstellergarantie erlischt.




## OMISTAJAN KÄSIKIRJA

Käy katsomassa Bestwayn YouTube-kanavaa 

### TÄRKEITÄ TURVALLISUUSOHJEITA

LUE SEURAAVAT TURVALLISUUSVAROITUKSET JA OHJEET HUOLELLISESTI ENNEN LAITTEEN KÄYTTÖÄ, JA SÄILYTÄ OHJEET

- Tämä ei ole LELU. Pidä tämä robotti ja sen lisävarusteet poissa lasten ulottuvilta.
- Älä koskaan anna lasten käyttää tätä tuotetta.
- Tämä robotti ei ole tarkoitettu seuraavien ryhmien käyttöön: fyysisistä, henkisistä tai aistirajoitteista kärsivät tai kokemattomat tai tietotasoltaan rajoitetut henkilöt. Kyseiset henkilöt voivat kuitenkin käyttää tuotetta, jos he ovat saaneet opastusta tai ohjeita tuotteen turvalliseen käyttöön henkilöltä, joka on vastuussa heidän turvallisuudestaan, tai jos he ovat kyseisen henkilön valvonnassa käyttäessään tätä laitetta.
- Varmista ennen käytön aloittamista, että robotti on upotettu kokonaan veteen. Robotin käyttämiseen tarvittavan vähimmäisvesimäärän on oltava robotin kääntöpään yläpuolella. Robotin käyttö, kun sitä ei ole upotettu veteen oikein, voi vahingoittaa laitetta ja mitätöidä takuun.
- Enimmäiskäyttösyvyys vedessä on 3 metriä (10 ft).
- Käyttöveden lämpötila: 5 °C (41 °F) - 35 °C (95 °F).
- Käytä akun lataamiseen vain tämän robotin mukana toimitettua irrotettavaa virransyöttölaitetta (ulkoista sovitinta).
-  Irrotettava virransyöttölaite (ulkoinen sovitin).
- Lataa akku uudelleen käyttämällä vain irrotettavaa virransyöttölaitetta (ulkoinen sovitin: DSS18-0842000-B / DSS18-0842000-C) ja latausasemaa, joka on toimitettu robotin mukana akun latausta varten.
- **VAROITUS** - 8 vuotta täyttäneet lapset ja fyysisistä, henkisistä tai aistirajoitteista kärsivät tai kokemattomat tai tietotasoltaan rajoitetut henkilöt voivat käyttää tätä tuotetta, jos he ovat saaneet opastusta tai ohjeita tuotteen turvalliseen käyttöön ja ymmärtävät siihen liittyvät riskit. Lapset eivät saa leikkiä tuotteella. Lapset eivät saa puhdistaa tai huoltaa tuotetta ilman valvontaa. (EU:ta varten)
- **VAROITUS** - Tämä tuote ei ole tarkoitettu seuraavien ryhmien käyttöön: lapset ja fyysisistä, henkisistä tai aistirajoitteista kärsivät tai kokemattomat tai

tietotasoltaan rajoitetut henkilöt. Kyseiset henkilöt voivat kuitenkin käyttää tuotetta, jos he ovat saaneet opastusta tai ohjeita tuotteen turvalliseen käyttöön henkilöltä, joka on vastuussa heidän turvallisuudestaan. Lapsia tulee valvoa sen varmistamiseksi, että he eivät leiki tällä laitteella. (EU:n ulkopuoliset markkinat)

- Liitä ulkoinen sovitin virtalähteeseen vikavirtasuojan (RCD) / maasulkuvirtakatkaisimen (GFCI) kautta. Epäselvissä tilanteissa ota yhteyttä pätevään, ammattitaitoiseen sähköasentajaan.
- Älä käytä tätä robottia, jos siinä havaitaan vaurioita.
- Vaihda vialliset osat mahdollisimman pian. Käytä ainoastaan jälleenmyyjän tai valmistajan hyväksymiä osia.
- Ennen kuin irrotat robotin latausasemasta, katkaise robotin virta, irrota ulkoinen sovitin virtalähteestä ja irrota ulkoinen sovitin latausasemasta.
- Irrota pumppu verkkovirrasta ennen huoltotoimia, kuten suodattimen puhdistamista.
- Asennettu akku on ladattava litiumioniakkuyksikkö. Älä koskaan yritä vaihtaa tätä tuotetta.
- Robotti on ladattava vain tämän tuotteen mukana toimitetulla ulkoisella sovitimella ja latausasemalla.
- ÄLÄ käsittele robottia, ulkoista sovitinta ja latausasemaa, lataamisen aikana märillä raajoilla ja ilman kenkiä.
- Älä käytä tätä robottia, kun vedessä on ihmisiä/lemmikkieläimiä.
- ÄLÄ käytä tätä robottia ilman ehjää suodatinta paikoillaan. Muutoin takuu mitätöityy.
- Juuttumisvaara imuaukkoon: Tämä robotti tuottaa imua. Älä päästä hiuksia, kehoasi ja vaatteitasi löysiä osia kosketukseen robotin imuaukkoon robotin käytön aikana.
- Älä koskaan työnnä kehonosia, vaatteita tai muita esineitä robotin aukkoihin ja liikkuviin osiin.
- ÄLÄ käytä tätä robottia myrkyllisten aineiden tai syttyvien tai palavien nesteiden, kuten bensiinin, keräämiseen. Älä käytä, jos ilmassa on räjähtäviä tai syttyviä kaasuja.
- Älä missään tapauksessa yritä purkaa robottia ja vaihtaa siipipyörää, moottoria tai akkua itse.
- Älä koskaan työnnä sormiasi ja muita esineitä siipipyörään.
- Lapset eivät saa käyttää tätä robottia.
- Akku on poistettava robotista ennen sen hävittämistä.
- Tämä robotti sisältää akun, jonka vain asiantuntevat henkilöt voivat poistaa.
- Robotti on irrotettava virtalähteestä, kun akku poistetaan.
- Katso akun hävittämistä koskevat ohjeet tämän ohjeen kohdasta "Akun hävittäminen".
- Akku on hävitettävä turvallisesti noudattamalla paikallisia määräyksiä.
- Robotti sisältää huoltovapaan ladattavan litiumioniakun, joka on hävitettävä asianmukaisella tavalla. Akku on kierrätettävä. Saat lisätietoja paikallisilta viranomaisilta.
- Ulkoinen sovitin ja latausasema:

- Älä koskaan käytä ulkoista sovitinta ja latausasemaa mihinkään muuhun kuin samassa pakkauksessa toimitetun robotin akun lataamiseen.
- Ulkoista sovitinta ja latausasemaa ei saa käyttää ulkona, eikä sitä saa altistaa sateelle, kosteudelle, nesteille tai lämmölle.
- Muuntajan (tai ulkoisen sovittimen) on oltava alueen 1 ulkopuolella.
- Pidä ulkoinen sovitin ja latausasema lasten ulottumattomissa.
- Älä koskaan käytä ulkoista sovitinta ja latausasemaa, jos niissä havaitaan vaurioita.
- ÄLÄ käsittele ulkoista sovitinta ja latausasemaa märin käsin.
- Säilytä ulkoinen sovitin irrotettuna virtalähteestä, kun sitä ei käytetä.
- Älä koskaan yritä avata ulkoista sovitinta tai latausasemaa.
- Ainoastaan valmistaja, valmistajan huoltokumppani tai muu vastaava pätevä henkilö voi vaihtaa vahingoittuneen virtajohdon.
- Varmista ennen lataamista, että robotti on täysin kuiva.

#### AKUN HÄVITTÄMINEN:

Akku on kierrätettävä. Saat lisätietoja paikallisilta viranomaisilta.

- Akku on poistettava allasimurista ennen laitteen hävittämistä.
- Allasimurin virta on oltava katkaistuna (johto irrotettuna pistorasiasta), kun akku poistetaan laitteesta.
- Akku on hävitettävä turvallisesti ja asianmukaisesti paikallisia määräyksiä noudattamalla.

#### HUOMIO!

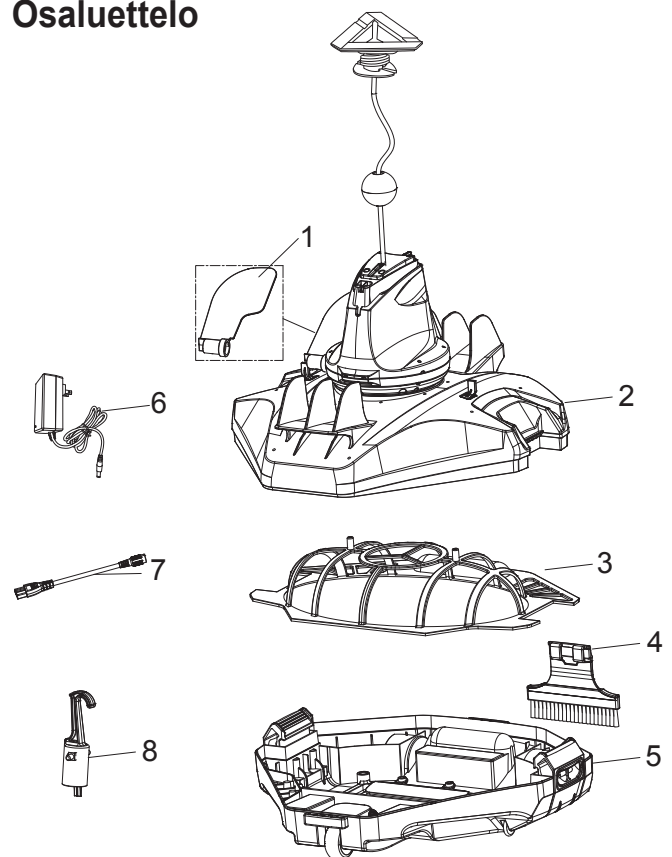
- Tämä robotti on suunniteltu ainoastaan käyttöön veden alla. Se ei ole yleiskäyttöinen imuri. ÄLÄ yritä käyttää sitä minkään muun kuin uima-altaan puhdistamiseen.
- Käytä ainoastaan tämän tuotteen mukana toimitettuja alkuperäisiä varusteita.
- ÄLÄ käytä tätä robottia heti altaan shokkikloorauksen jälkeen. Altaan vedenkierto on suositeltavaa pitää päällä tämän jälkeen vähintään 24–48 tuntia.
- Jos aiot käyttää robottia suolaisen veden altaassa, varmista, että kaikki suola on liennut veteen, ennen kuin laitat robotin veteen.
- Tätä robottia ei suositella käytettäväksi samanaikaisesti toisen automaattisen puhdistuslaitteen/puhdistimen kanssa.
- Älä kerää tällä robotilla kovia, teräviä esineitä, jotka voivat vahingoittaa sitä ja suodatinta.
- Vältä vahingoittamasta ulkoista sovitinta ja latausasemaa kantamalla robottia ulkoisen sovittimen kaapelista tai vetämällä kaapelista irrottaaksesi sen virtalähteestä ja latausasemasta.

- Lataa robotti sisätiloissa puhtaalla, kuivalla alueella, jossa on hyvä ilmanvaihto ja joka on kaukana auringonvalosta.
- ÄLÄ jätä robottia liitettynä laturiin yli 10 tunnin ajaksi.
- Jos robottia ei käytetä pitkään aikaan, poista se latausasemasta ja pyyhi robotti ja sen varusteet kostealla liinalla ja kuivaa. Lataa robotti ennen varastointia siten, että sen latausaste on 30–50 % akun kapasiteetista. Varastoi hyvin ilmastoidussa paikassa poissa auringonvalosta ja kuumuudesta sekä poissa sytytyslähteiden ja allaskemikaalien lähetyiltä. Säilytä lasten ulottumattomissa. Lataa robotti joka kolmas kuukausi.
- Vain valtuutettu teknikko voi suorittaa kaikki nivelpään purkamiseen (ts. akun hävittämiseen) liittyvät toimet.

**Yllä olevat varoitukset ja huomautukset eivät ole tarkoitettu kaikenkattavaksi ohjeistukseksi kaikkien mahdollisten riskien ja/tai vakavien loukkaantumisten varalta.** Uima-altaiden/spa-altaiden omistajien tulisi aina olla erittäin varovaisia ja käyttää tervettä järkeä käyttäessään tuotetta.

#### PIDÄ NÄMÄ OHJEET TALLESSA

#### Osaluettelo



Osanumero	Osakoodi	MÄÄR
1	P05700	1
2	P05626	1
3	P05628	1
4	P05632	1
5	P05627	1
6	P05696	1
7	P03880	1
8	P03879	1

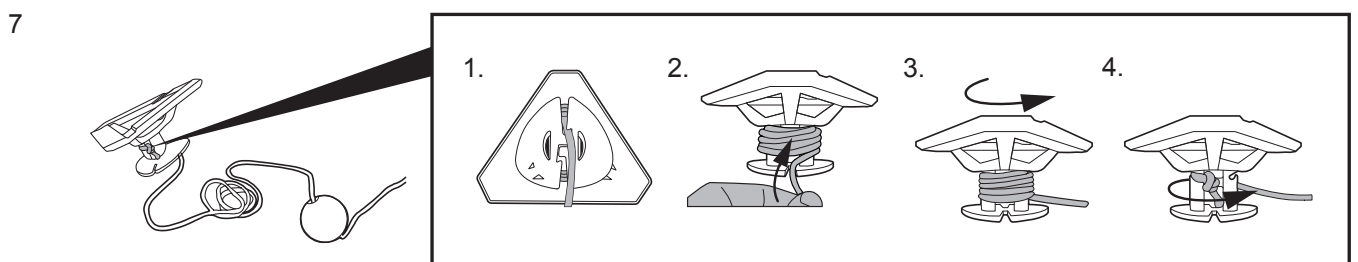
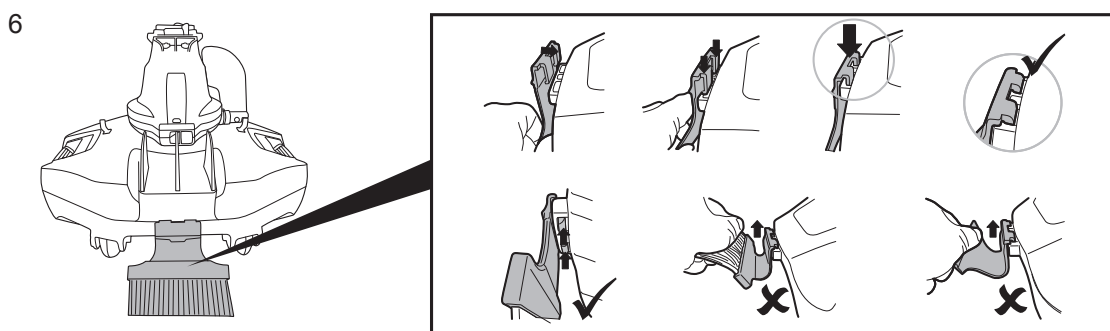
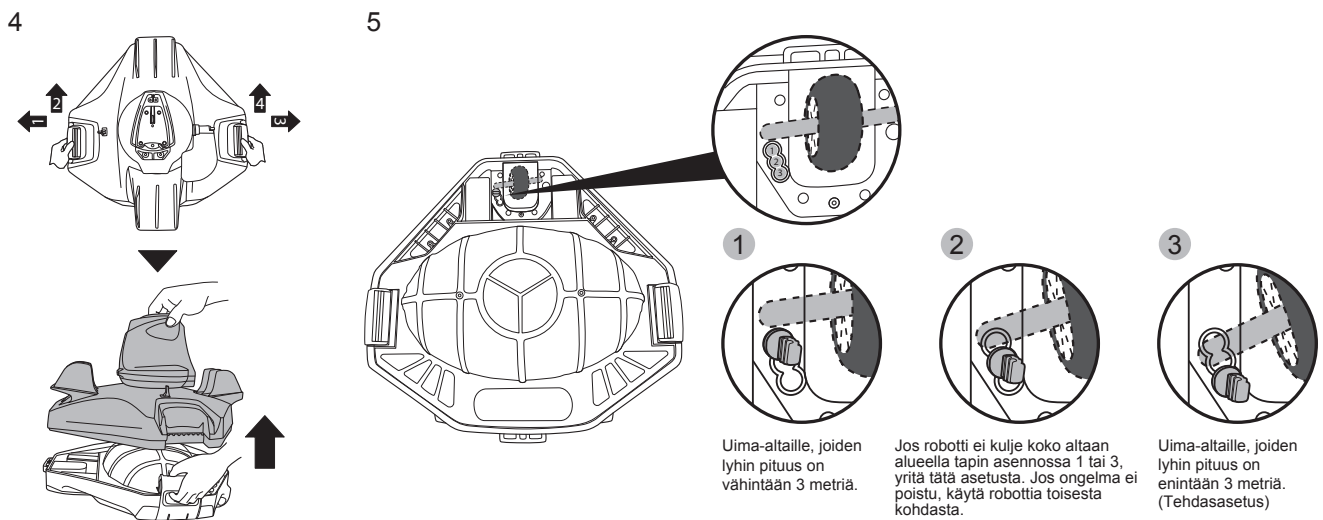
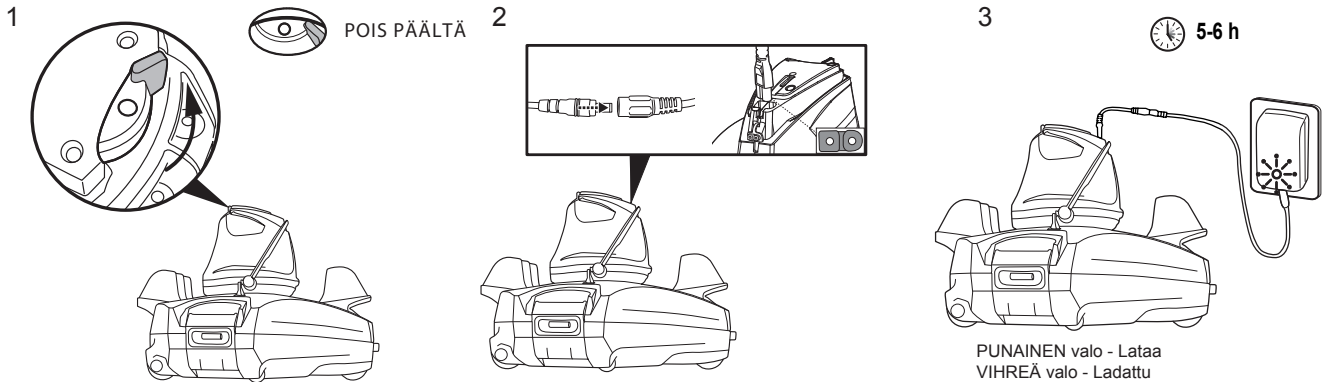
Robotissa on vettä suihkuttava suutin nivelpään alaosaan. Vesi imetään ensin sisään robotin pohjassa olevan imuaukon kautta suodattimeen ja poistetaan sitten suuttimen kautta. Suuttimesta ulos purkautuva vesi saa robotin liikkumaan eteenpäin. Kun robotti pysähtyy estettä, kuten uima-altaan seinää vasten, sen sivuläppä kääntyy ja nivelpää kääntyy 180°, jolloin robotti alkaa liikkua vastakkaiseen suuntaan. Robotti liikkuu yleensä suoraan yhteen suuntaan ja kaartaa toiseen suuntaan. Ollessaan liikkeellä robotti imuroi altaan pohjan keräten roskat säiliönsä.

## Kokoaminen ja käyttö

### VAROITUS Lataaminen

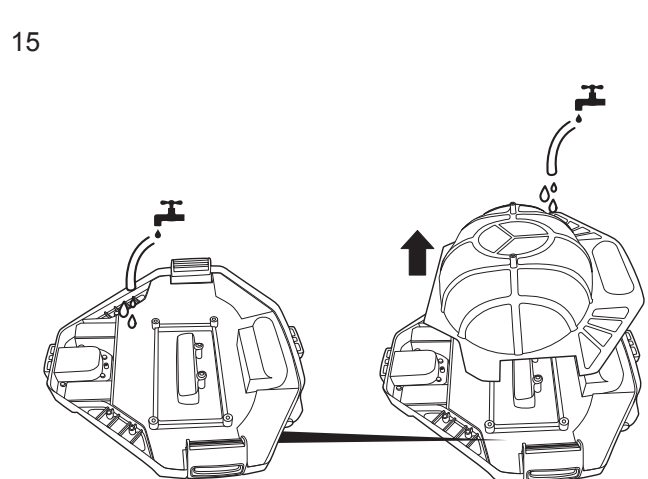
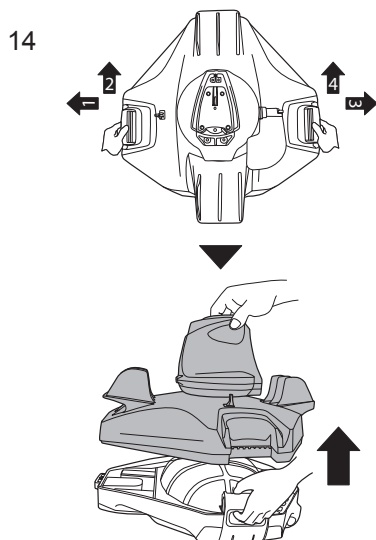
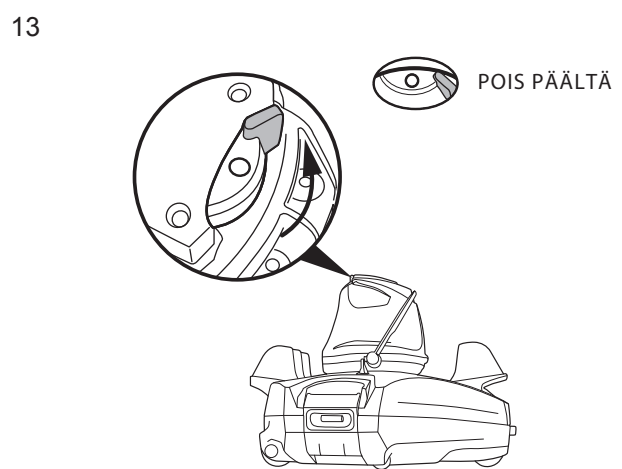
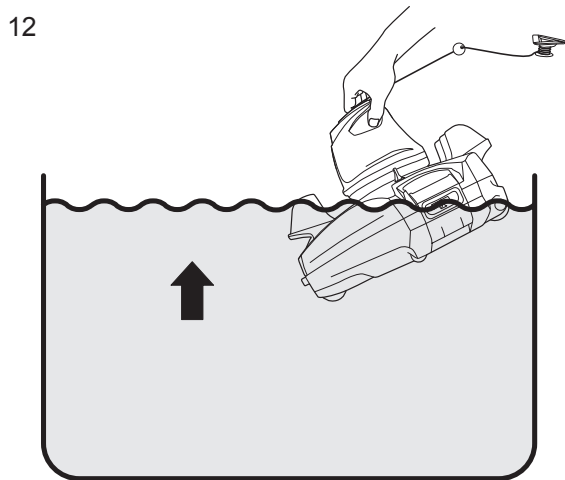
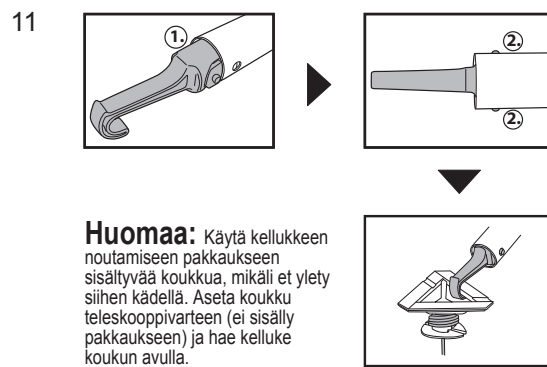
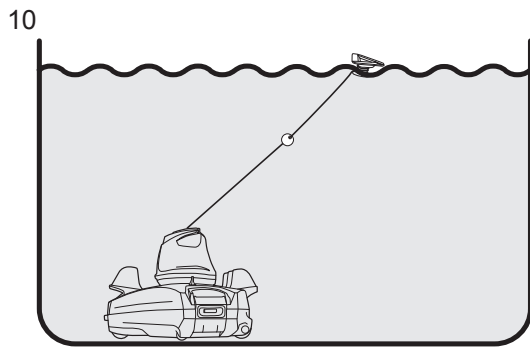
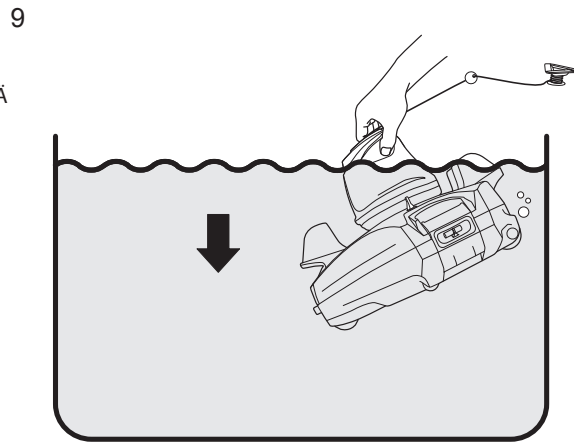
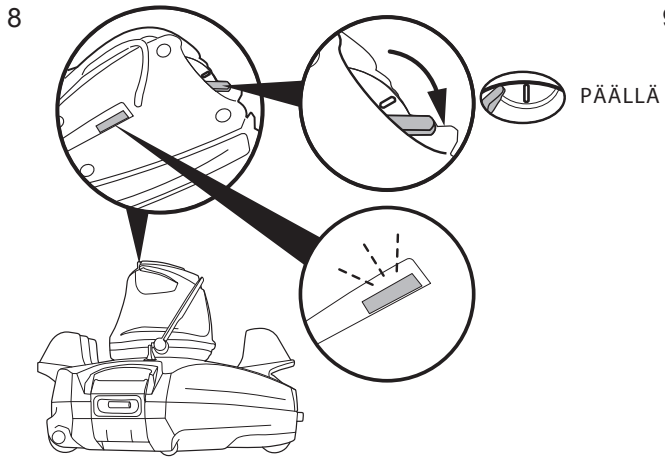
- Käytä ainoastaan alkuperäistä ulkoista sovitinta ja laitteen mukana toimitettua latauskaapelia.
- Varmista ennen kokoonpanoa, että robotti ja latausasema ovat puhtaat ja kuivat.
- Varmista ennen lataamista, että robotin virta on katkaistu (virtakytkin on OFF-asennossa).
- Lataa robotti täyteen ennen ensimmäistä käyttökertaa. Tämä lataus kestää noin 5–6 tuntia.
- Virtavalo: Ei valoa - Virta katkaistu / ei virtaa  
Valo - Virta kytketty  
Vilkkuva valo - Akun virta loppuu 10 minuutin kuluessa.

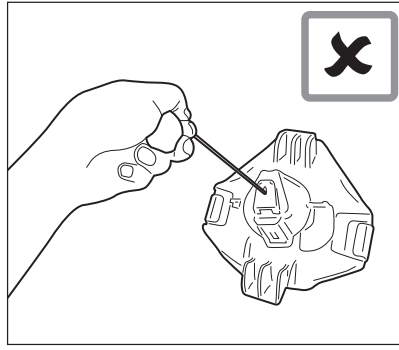
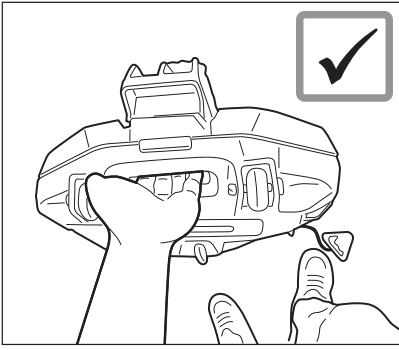
**Huomaa:** Ulkoisen sovitin valo muuttuu punaiseksi, kun robotin lataus käynnistyy. Valo muuttuu vihreäksi, kun robotti on lähes täyteen ladattu.



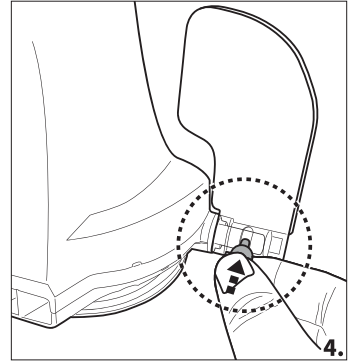
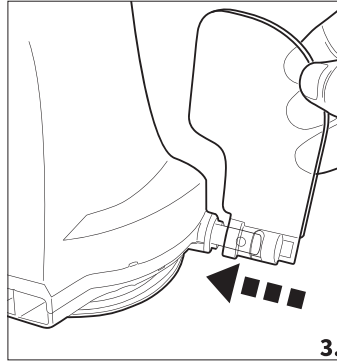
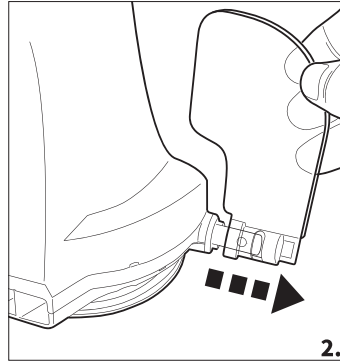
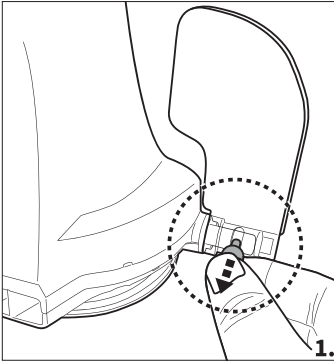
**Huomaa:** Irrota kellukekansi ja vapauta kellukkeen köysi altaaseen veteen (veden syvyys plus noin 0,5 metriä (19.7in.).







## Läpän vaihtaminen



## Kunnossapito ja säilytys

1. Akku lataus purkautuu itseksään varastoinnin aikana. Lataa robotti täyteen ennen varastointia.

2. Akku on ladattava vähintään kerran kolmessa kuukaudessa, kun allasimuria ei käytetä.

• Irrota ulkoinen sovitin pistorasiasta ja irrota latauskaapeli sitten robotin ulkoisesta sovitimesta ja robotista.

• Irrota robotista lisävarusteet. Huuhtelee robotti ja lisävarusteet tarvittaessa puhtaalla (ei suolaisella) vedellä. ÄLÄ KÄYTÄ pesuainetta.

• Poista laitteesta kaikki vesi ennen varastointia.

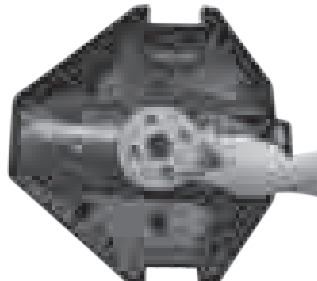
• Puhdista ja kuivaa robotti ja lisävarusteet kostealla liinalla.

• Varastoi hyvin ilmastoidussa paikassa poissa auringonvalosta ja kuumuudesta sekä poissa sytytyslähteiden ja allaskemikaalien lähetyiltä. Säilytä lasten ulottumattomissa. Lämpötila varastoinnin aikana tulisi olla 10–25 °C (50 °F–77 °F). **HUOMAA:** Korkeampi varastointilämpötila saattaa lyhentää akun käyttöikää.

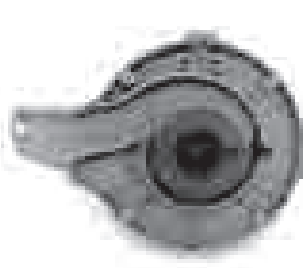
## Akkuyksikön poistaminen

Suosittelut työkalut (eivät sisälly toimitukseen): Ruuvimeisseli.

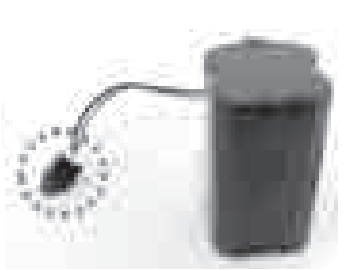
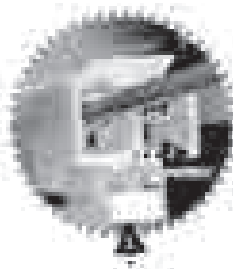
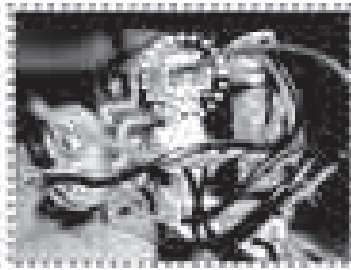
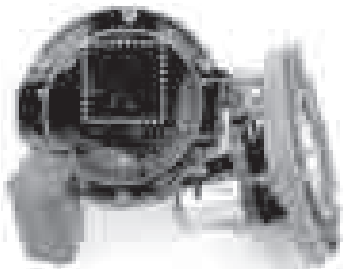
1. Irrota yläkansi (tehdasasennus nivelpään kanssa). Käännä kansi ylösalaisin ja vapauta nivelpää kääntämällä sen pohjassa olevaa lukituslaattaa vastapäivään. Irrota nivelen tasoitusrengas.



2. Irrota pään pohjassa olevat 4 ruuvia ruuvimeisselillä irrottaaksesi ensin pohjalevyn. Ruuvaa kaikki pohjan ruuvit irti ruuvimeisselillä kuvan osoittamalla tavalla. Irrota sekoitin ja nosta pohja sitten pois, jotta näet aukkoon.



3. Irrota akkuyksikkö. Piirilevy tulee näkyviin. Irrota akun liitinjohto painamalla liittimen klipsiä ja nostamalla akku sitten pois. **HUOMAA:** Kierrä liittimen päähän eristysteippiä, jotta kummankin liittimen koskettaminen ei aiheuta oikosulkuja.

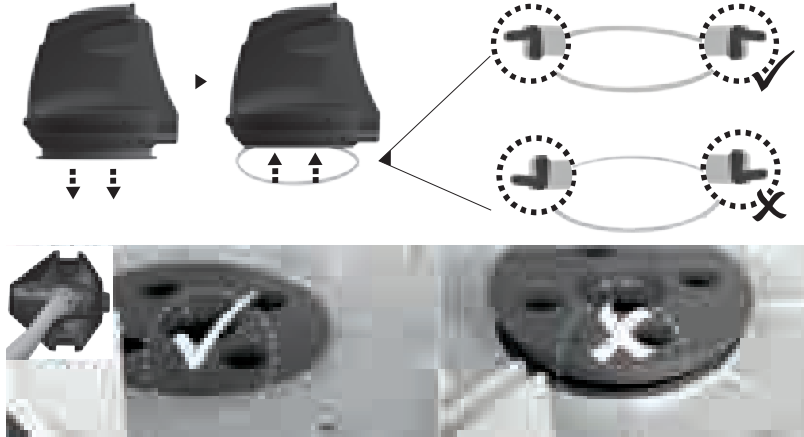


### HÄVITTÄMINEN

Sähköromua ei tule hävittää kotitalousjätteen mukana. Vie asianmukaisesti keräys- ja kierrätyspisteisiin. Tarkista kierrätysohjeet paikallisilta viranomaisilta tai jälleenmyyjältä.

### Vianetsintä

Ongelma	Mahdollinen syy	Ratkaisu
Robotti ei kerää roskia altaasta.	Akun varaus on loppumassa.	Lataa robotti uudelleen.
	Sekoitin on jumissa.	Katkaise robotin virta ja tarkista aukko nivelpään alla nähdäksesi, onko siipipyörä jumittunut isokokoisten roskien vuoksi. Saat lisätietoja ja apua sivustomme Support-osasta osoitteessa <a href="http://www.bestwaycorp.com">www.bestwaycorp.com</a> . <b>VAROITUS!</b> Varmista, että robotin virta on katkaistu ennen huollon aloittamista.
	Imuaukko on tukossa	Poista imuaukon tukkivat esineet.
	Siipipyörä on rikki	Saat lisätietoja ja apua sivustomme Support-osasta osoitteessa <a href="http://www.bestwaycorp.com">www.bestwaycorp.com</a> .
	Roskasäiliö on täynnä	Puhdista roskasäiliö ja suodattimen kansi.
Robotti lopetti liikkumisen keskellä allasta, mutta nivelpää kääntyy yhä	Robotti pysähtyi esteeseen tai altaan vuorauksessa olevaan suureen taitokseen	Tarkista imurin mahdollinen este. Poista este.
	Robotti pysähtyy altaan pohjassa olevan päätyhjennysaukon imuun	Katkaise suodatusjärjestelmän virta käyttöohjeen mukaisesti.
Nivelpää pyörii toistuvasti	Robotin sisään on jäänyt ilmaa	Nivelpää voi pyöriä toistuvasti muutaman minuutin ajan, kun robotti uppoaa altaan pohjalle. Tämä ilmiö loppuu, kun robotin sisälle jäänyt ilma tyhjenee vähitellen ja robotti alkaa liikkua säännöllisesti.
Robotti ei kulje koko altaan alueella	Roskasäiliö on täynnä	Puhdista roskasäiliö
	Toiminta-aika on odotettua lyhyempi	Puhdista suodatinsäiliö ja lataa robotin akkua 6 tunnin ajan.
	Liikesuunta keskeytyy suodatinjärjestelmän aikaansaaman vedenvirtauksen vuoksi	Sammuta suodatusjärjestelmän virta (suodattimen ohjeen mukaisesti) vähintään 15 minuuttia ennen robotin käyttämistä.
	Pyörä on jumissa	Tarkista ja puhdista roskat pyörästä.
	Lukitustappia ei ole asetettu kunnolla asentoon	Säädä lukitustapin asento ohjeen mukaan.
	Levä tekee altaan pohjasta liukkaan, minkä vuoksi robotti kulkee ympyrässä	Hankaa altaan pohja ja robotin pyörät levästä.
Robotti kulkee altaan seinää pitkin	Lukitustappia ei ole asetettu oikein paikalleen / robotin suuntasuunta on alussa väärä	Säädä lukitustapin asetus ohjeen mukaan. Varmista, että robotin etu-/takapuoli on alussa altaan seinään päin.
Robotti liikkuu hitaasti tai ei liiku lainkaan	Roskasäiliö on täynnä tai suodattimen kansi on tukossa	Puhdista roskasäiliö. Huuhtele sihti vedellä pienten hiukkasten poistamiseksi. Jos puhdistuksessa täytyy käyttää harjaa, käytä pehmeää harjaa ja puhdista suodatin varovasti. <b>Huomautus:</b> varmista, että suodattimen kansi on paikallaan ennen seuraavaa käyttöä.
	Imuaukko on tukossa	Poista imuaukon tukkivat esineet.
	Sekoitin on jumissa.	Katkaise robotin virta ja tarkista aukko nivelpään alla nähdäksesi, onko siipipyörä jumittunut isokokoisten roskien vuoksi. Saat lisätietoja ja apua sivustomme Support-osasta osoitteessa <a href="http://www.bestwaycorp.com">www.bestwaycorp.com</a> . <b>VAROITUS!</b> Varmista, että robotin virta on katkaistu ennen huollon aloittamista.

Nivelpää ei käänny tai käänny huomattavan hitaasti	Sivuläppä ei nouse ylös	Tarkista sivuläppiä mahdollisesti haittaavat roskat ja poista ne.
	Nivelpään pohja on jumissa	Irrota nivelpää ja tasoitusrenkas oppaan kohdan "Akun irrottaminen" mukaan, ja sitten: - Poista juuttuneet roskat - Tarkista, että tasoitusrenkas ja pohjalevy on asennettu oikein (katso kuvat alla). - Tarkista tasoitusrenkas vaurioiden ja kulumisen varalta. Vaihda tarvittaessa tilalle uusi.
		
Roskia karkaa robotista	Imusuun läppä (puhdistimen pohjassa) on rikki	Imusuun läppä toimii oven tapaan estäen roskien karkaamisen säiliöstä. Saat lisätietoja ja apua sivustomme Support-osasta osoitteessa <a href="http://www.bestwaycorp.com">www.bestwaycorp.com</a> .
	Imusuulle on kertynyt roskia, mikä estää läppää sulkeutumasta	Poista imuaukon tukkivat roskat.
Roskat pääsevät suodatinkannen ulkopuolelle	Suodatinkannen verkko on vahingoittunut	Vaihda uuteen. Saat lisätietoja ja apua sivustomme Support-osasta osoitteessa <a href="http://www.bestwaycorp.com">www.bestwaycorp.com</a> .
Pyöreä kelluke uppoaa	Kelluke on rikki ja vesi vuotaa sisään	Korvaa uudella kellukkeella. Saat lisätietoja ja apua sivustomme Support-osasta osoitteessa <a href="http://www.bestwaycorp.com">www.bestwaycorp.com</a> .
Robotti toimii ilmoitettua lyhyemmän aikaa	Akku ei ole ladattu täyteen	Lataa robottia vähintään 6 tuntia.
Robottia ei voi ladata / ladata uudelleen	Akku on vioittunut	Saat lisätietoja ja apua sivustomme Support-osasta osoitteessa <a href="http://www.bestwaycorp.com">www.bestwaycorp.com</a> . <b>VAROITUS!</b> ÄLÄ vaihda akkua itse. Tämä voi aiheuttaa vakavan tai hengenvaarallisen loukkaantumisen ja mitätöi takuun.
	Latausasema ei ole kytketty kunnolla ulkoiseen sovittimeen ja robottiin	Varmista, että latausasema on liitetty oikein ja kunnolla ulkoiseen sovittimeen ja robottiin. Katso lisätietoja käyttöoppaasta.
	Ulkoinen adapteri ei toimi.	Saat lisätietoja ja apua sivustomme Support-osasta osoitteessa <a href="http://www.bestwaycorp.com">www.bestwaycorp.com</a> . <b>VAROITUS!</b> Vääränlaisen ulkoisen adapterin käyttö vioittaa robottia/akkua ja mitätöi takuun.



## GEBRUIKERSHANDLEIDING

Bezoek het Bestway YouTube-kanaal 

### BELANGRIJKE VEILIGHEIDSVORSCHRIFTEN

LEES DE VOLGENDE VEILIGHEIDSWAARSCHUWINGEN EN DE INSTRUCTIES ZORGVULDIG DOOR VOORDAT U HET APPARAAT GEBRUIKT EN BEWAAR DIT DOCUMENT VOOR TOEKOMSTIGE REFERENTIE

- Dit is geen SPEELGOED. Deze robot en zijn accessoires moeten buiten het bereik van kinderen worden gehouden.
- Laat kinderen dit product nooit gebruiken.
- Deze robot is niet bedoeld voor gebruik door personen met beperkte fysieke, zintuiglijke of geestelijke vermogens of een gebrek aan ervaring en kennis tenzij ze toezicht of instructie krijgen betreffende het gebruik van het apparaat door een persoon die verantwoordelijk is voor hun veiligheid.
- Zorg ervoor dat de robot volledig is ondergedompeld in water voordat u hem gebruikt. Het minimale waterpeil dat nodig is om de robot te gebruiken, moet boven de draaikop van de robot komen. Als de robot wordt gebruikt wanneer deze niet goed in water is ondergedompeld, kan de eenheid beschadigen en de garantie ongeldig maken.
- De maximale werkdiepte in water is 3 meter (10 ft).
- Watertemperatuur bij gebruik: 5°C (41°F) - 35°C (95°F).
- Gebruik alleen de afneembare voedingseenheid (externe adapter) die bij deze robot wordt geleverd om de batterij op te laden.
-  Afneembare voedingseenheid (externe adapter).
- Gebruik voor het opladen van de batterij alleen de afneembare voedingseenheid (externe adapter: DSS18-0842000-B / DSS18-0842000-C) en het laadstation die bij deze robot worden geleverd.
- **WAARSCHUWING** - Dit apparaat kan worden gebruikt door kinderen van 8 jaar en ouder en door personen met beperkte fysieke, zintuiglijke of geestelijke vermogens of een gebrek aan ervaring en kennis als ze toezicht of instructie krijgen betreffende het gebruik van het apparaat op een veilige manier en de betrokken gevaren begrijpen. Kinderen mogen niet met het apparaat spelen. Kinderen mogen het apparaat niet reinigen en onderhouden zonder toezicht. (Voor EU-markt)
- **WAARSCHUWING** - Dit apparaat is niet bedoeld voor gebruik door personen (inbegrepen kinderen) met beperkte fysieke, zintuiglijke of geestelijke vermogens of een gebrek

- aan ervaring en kennis tenzij ze toezicht of instructie krijgen betreffende het gebruik van het apparaat door een persoon die verantwoordelijk is voor hun veiligheid. Kinderen moeten in de gaten gehouden worden, zodat ze niet met het apparaat kunnen spelen. (Voor andere markt dan EU)
- Sluit de externe adapter aan op een stroombron via een reststroomapparaat (RCD) / een aardlekschakelaar (GFCI). Raadpleeg bij twijfel een gekwalificeerde, professionele elektricien.
- Gebruik deze robot niet als er beschadigingen zijn.
- Vervang beschadigde onderdelen zo snel mogelijk. Gebruik alleen door de distributeur of fabrikant gecertificeerde onderdelen.
- Schakel de robot uit, koppel de externe adapter los van de stroombron en haal de stekker van de externe adapter uit het laadstation voordat u de robot van het laadstation haalt.
- Koppel de pomp los van de netvoeding voordat u onderhoud uitvoert, zoals het reinigen van het filter.
- De geïnstalleerde batterij is een oplaadbare Li-ion batterij. Probeer de batterij van dit product nooit te vervangen.
- De robot mag alleen worden opgeladen met de externe adapter en het laadstation die bij dit product worden geleverd.
- Raak de robot, de externe adapter en het laadstation tijdens het opladen NIET aan met natte ledematen en zonder schoenen.
- U mag deze robot niet gebruiken wanneer er mensen/huisdieren in het water aanwezig zijn.
- Gebruik deze robot NIET zonder dat er een onbeschadigd filter is aangebracht, omdat de garantie anders ongeldig wordt.
- Bekenningengevaar door aanzuiging: Deze robot genereert aanzuiging. Laat geen haar, lichaamsdelen of losse delen van uw kleding in contact komen met het aanzuig gat van de robot wanneer die in werking is.
- Steek nooit lichaamsdelen, kleding of andere voorwerpen in de openingen en bewegende delen van de robot.
- Gebruik deze robot NIET voor het opzuigen van giftige stoffen, ontvlambare of brandbare vloeistoffen zoals benzine of in aanwezigheid van explosieve of ontvlambare dampen.
- U mag in geen enkele omstandigheid proberen om de robot te demonteren en de waaier, motor en batterij zelf te vervangen.
- Steek nooit vingers en andere voorwerpen naar binnen om de waaier aan te raken.
- Deze robot mag niet worden gebruikt door kinderen.
- De batterij moet uit de robot worden gehaald voordat deze buiten werking wordt gesteld.
- Deze robot bevat een batterij die alleen mag worden vervangen door een deskundige.
- De robot moet worden losgekoppeld van het voedingsnet wanneer de batterij wordt verwijderd.
- Raadpleeg voor meer gegevens over het afvoeren van batterijen het gedeelte "De batterij afvoeren" in deze handleiding.
- De batterij moet veilig en volgens lokale verordeningen en voorschriften worden afgevoerd.
- De robot bevat een onderhoudsvrije, oplaadbare lithium-ion batterij, die op de juiste manier moet worden afgevoerd.

Recycling is vereist; neem contact op met uw plaatselijke overheid voor meer informatie.

- Externe adapter en laadstation:
  - Gebruik de externe adapter en het laadstation nooit voor iets anders dan het opladen van de batterij van de robot die in dezelfde verpakking wordt geleverd.
  - De externe adapter en het laadstation mogen niet buiten worden gebruikt en mogen niet worden blootgesteld aan regen, vocht, vloeistoffen of warmte.
  - De transformator (of externe adapter) moet buiten zone 1 worden geplaatst.
  - Houd de externe adapter en het laadstation buiten bereik van kinderen.
  - Gebruik de externe adapter en het laadstation nooit als er beschadigingen zijn.
  - De externe adapter en het laadstation NIET gebruiken met natte handen.
  - Laat de externe adapter losgekoppeld van het stopcontact wanneer niet in gebruik.
  - Probeer nooit om de externe adapter te openen.
  - Als het netsnoer beschadigd is, moet het door de fabrikant, zijn serviceaanbieder of een persoon met dezelfde kwalificaties worden vervangen, om gevaar te voorkomen.
  - Zorg ervoor dat de robot volledig droog is voordat u hem oplaadt.

#### DE BATTERIJ AFVOEREN:

De batterij moet worden gerecycled; neem contact op met uw gemeente voor informatie.

- De batterij moet uit de zwembadzuiger worden gehaald voordat deze buiten dienst wordt gesteld.
- De zwembadzuiger moet worden losgekoppeld van het voedingsnet (stopcontact) wanneer de batterij wordt verwijderd.
- De batterij moet veilig en op de juiste manier worden afgevoerd.

#### VOORZICHTIG!

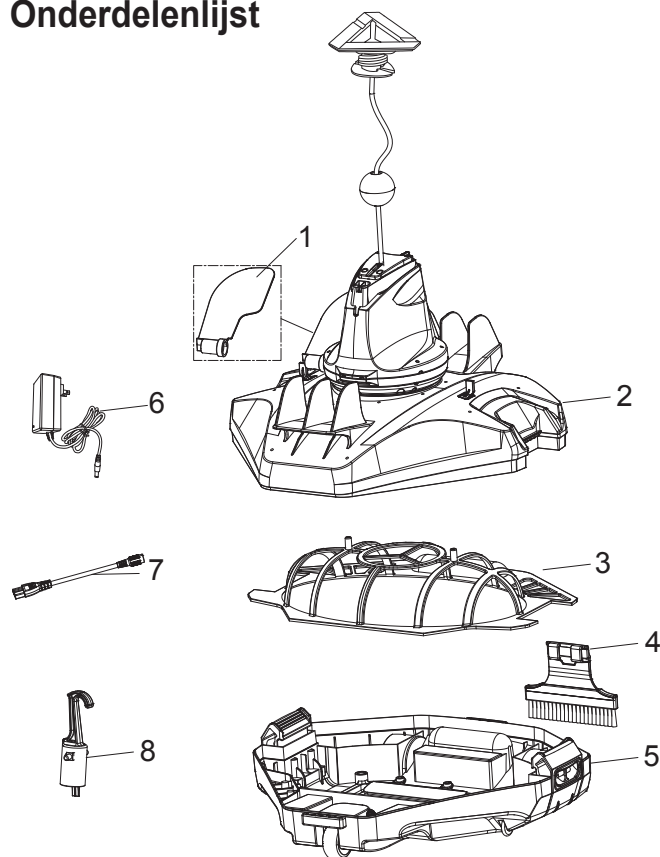
- Deze robot is uitsluitend ontworpen voor gebruik onder water; het is geen universele stofzuiger. Probeer dit product NIET te gebruiken om iets anders dan uw zwembad te reinigen.
- Gebruik alleen originele accessoires die bij dit product worden geleverd.
- Gebruik deze robot NIET onmiddellijk na een chloorshock. Het wordt aanbevolen om het zwembad eerst minstens 24-48 uur te laten circuleren.
- Als u de robot wilt gebruiken in een zoutwaterzwembad, zorg er dan voor dat al het zout is opgelost voordat u de robot in het water plaatst.
- Het wordt niet aanbevolen om deze robot tegelijkertijd te gebruiken met een andere automatische reiniger.
- Zuig geen harde, scherpe voorwerpen op met dit product, die de robot en het filter kunnen beschadigen.
- Om beschadiging van de externe adapter en het laadstation te voorkomen, mag u niet proberen om de robot te dragen aan de kabel van de externe adapter of aan de kabel trekken om deze los te maken van de stroombron en het laadstation.

- Laad de robot binnen op in een schone, droge ruimte met goede ventilator en uit de buurt van zonlicht.
- Laat de robot NIET langer dan 10 uur opladen.
- Als de robot lang niet zal worden gebruikt, maak hem dan los van het laadstation en gebruik een vochtige doek om de robot en de accessoires te reinigen en droog te maken. Laad de robot op tot ongeveer 30% tot 50% van het batterijvermogen voordat u hem opbergt. Berg het toestel op in een goed geventileerde ruimte, uit de buurt van zonlicht, warmte, ontstekingsbronnen, zwembadchemicaliën en kinderen. Laad de robot iedere drie maanden op.
- Alle handelingen voor het demonteren van de draaikop (bijv. batterijen afvoeren) mogen alleen worden uitgevoerd door een erkende technicus.

**Bovenstaande waarschuwingen en voorzorgsmaatregelen zijn niet bedoeld om alle mogelijke gevallen voor risico's en/of ernstige letsels te omvatten.** Eigenaars van zwembaden/spa's moeten altijd voorzichtig zijn en gezond verstand gebruiken wanneer ze het product gebruiken.

### BEWAAR DEZE INSTRUCTIES

#### Onderdelenlijst



Onderdeel	Onderdeelc	HOEV
1	P05700	1
2	P05626	1
3	P05628	1
4	P05632	1
5	P05627	1
6	P05696	1
7	P03880	1
8	P03879	1

De robot heeft een mondstuk dat het water voortstuwt aan de onderkant van de draaikop. Het water wordt eerst naar binnen gezogen door de zuigmond op de onderkant van de robot, gaat dan door het filter en wordt daarna afgevoerd door de stuwmond. Het water dat uit het mondstuk spuit, stuwt de robot vooruit. Zodra de robot stopt tegen een obstakel, zoals de zwembadwand, zwaait de zijflap en draait de draaikop 180°, waardoor de robot in de tegenovergestelde richting kan bewegen. De robot beweegt gewoonlijk in een recht patroon in de ene richting en in een boogpatroon in de andere richting. De robot zuigt de zwembadbodem terwijl hij beweegt en vangt vuil op in het afvalcompartiment.

## Montage en bediening

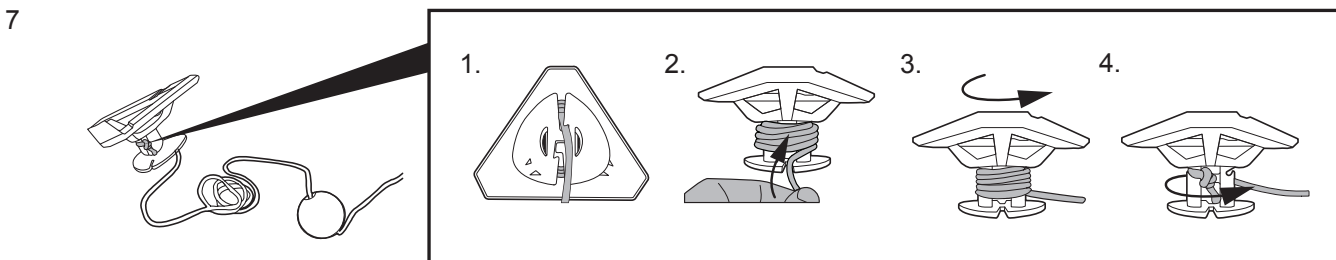
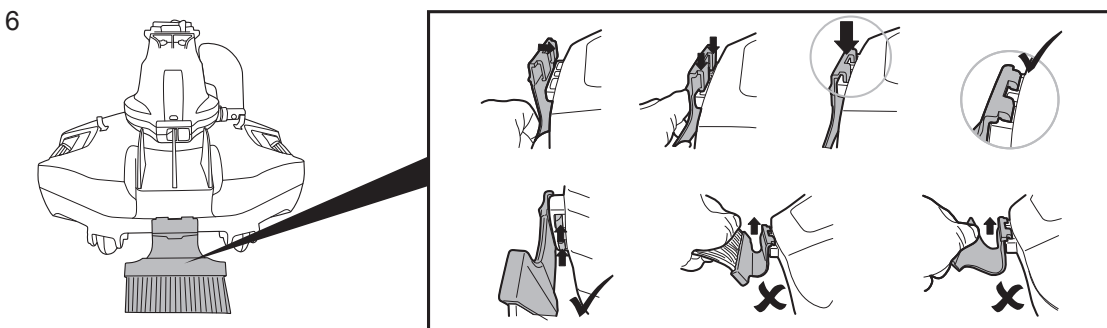
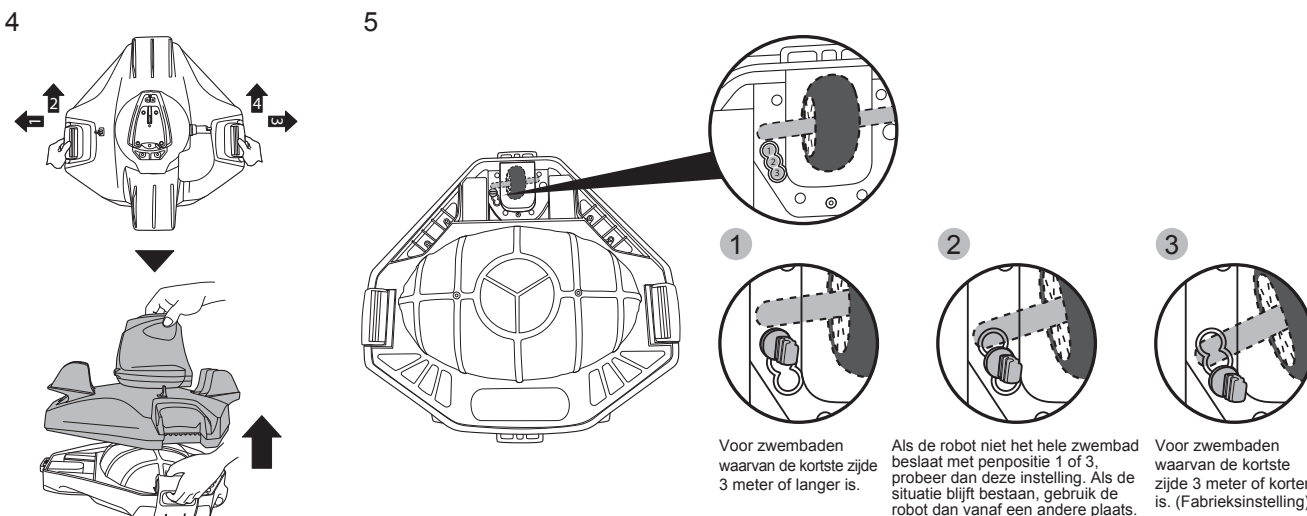
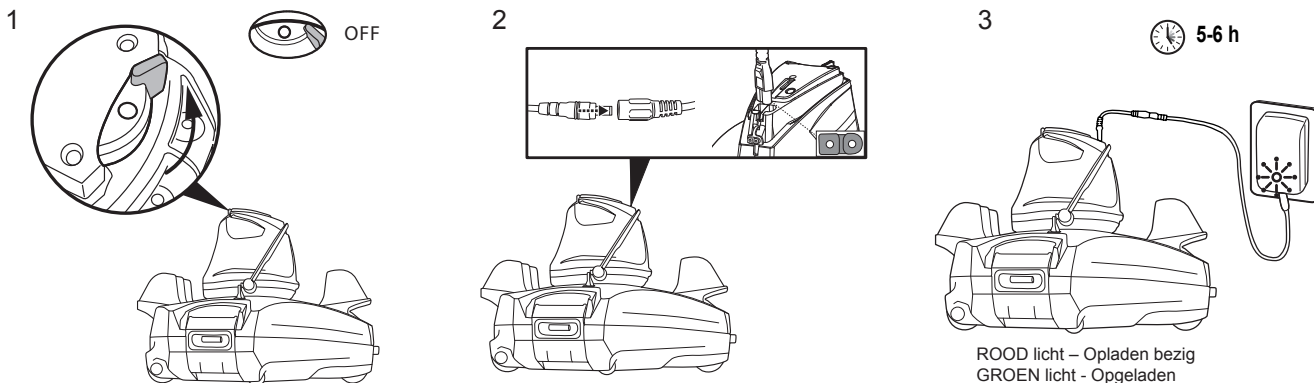
WAARSCHUWING voor het opladen

- Gebruik alleen de originele externe adapter en de bijgeleverde oplaadkabel.
- Zorg ervoor dat de robot en de oplaadpoort schoon en droog zijn voor de installatie.
- Zorg ervoor dat de robot wordt uitgeschakeld door de schakelaar op de OFF-positie te zetten voordat u hem gaat opladen.
- Laad de robot volledig (ongeveer 5-6 uur) op voor het eerste gebruik.
- Voedingsindicatielampje: Geen licht - Voeding uit/geen voeding

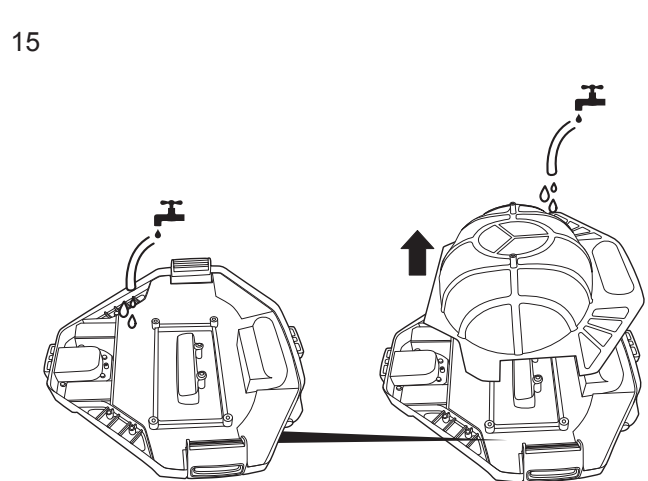
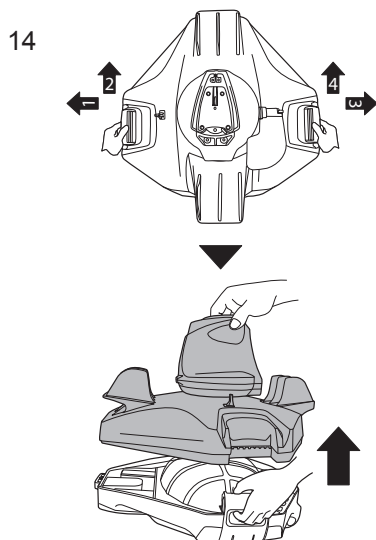
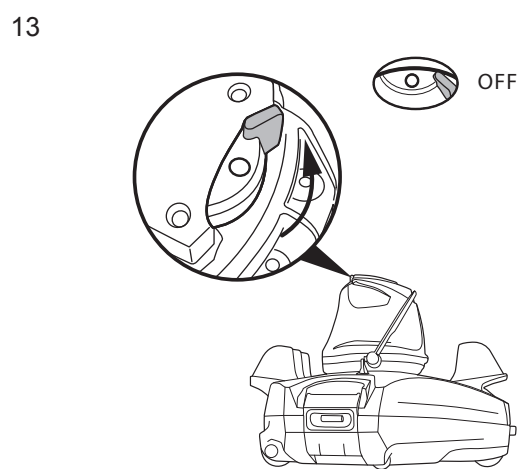
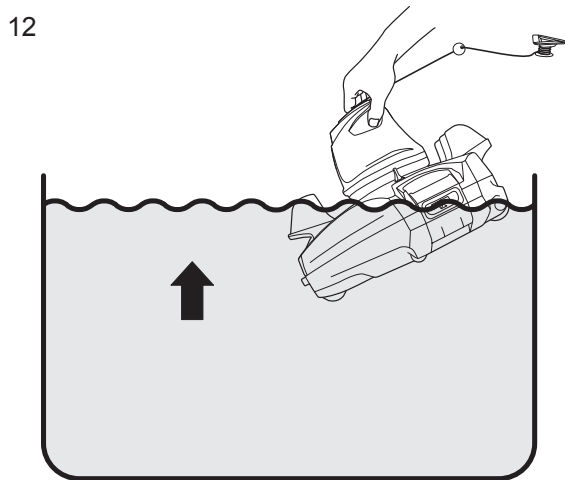
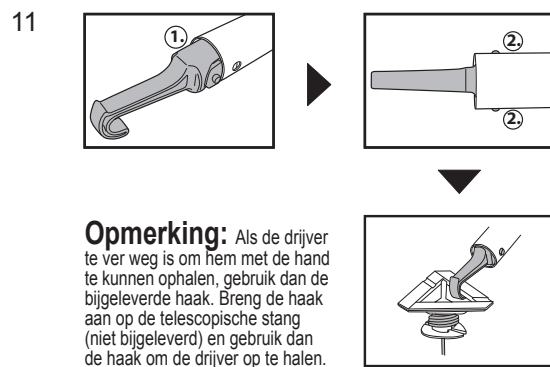
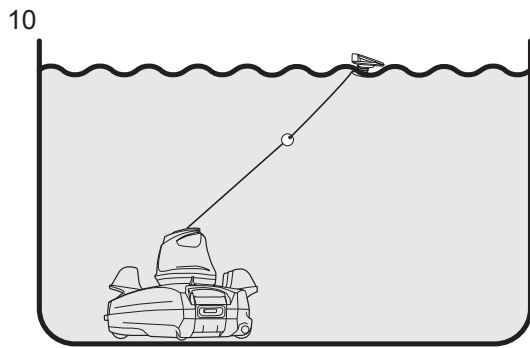
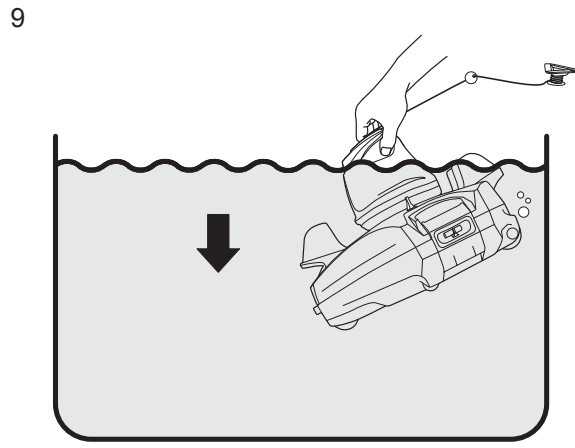
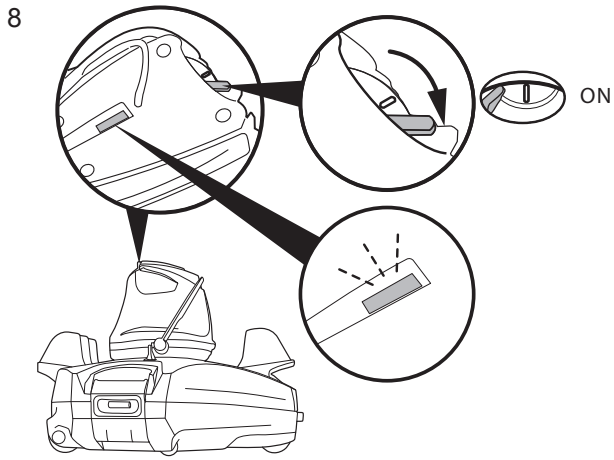
Licht - Voeding aan

Knipperend licht - De batterijvoeding stopt binnen 10 minuten.

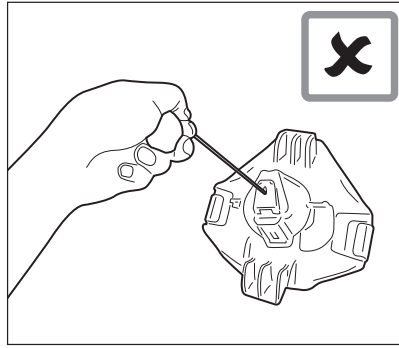
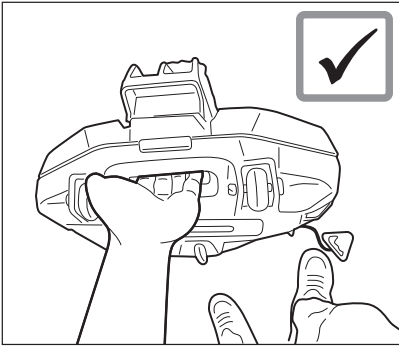
**Opmerking:** Wanneer de robot begint op te laden, wordt het indicatielampje op de externe adapter rood. Wanneer de robot bijna helemaal is opgeladen, wordt het indicatielampje groen.



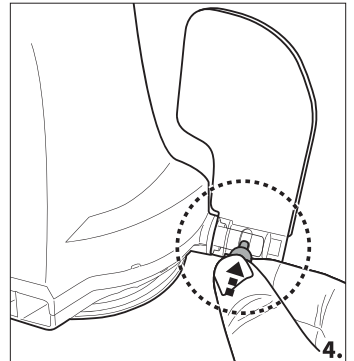
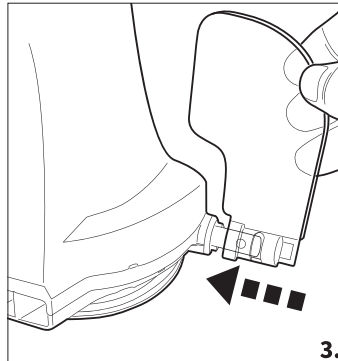
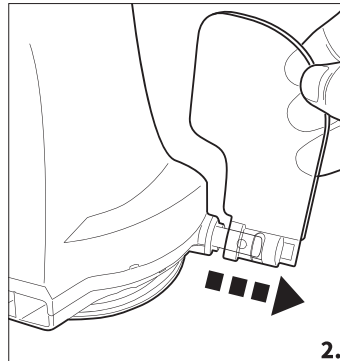
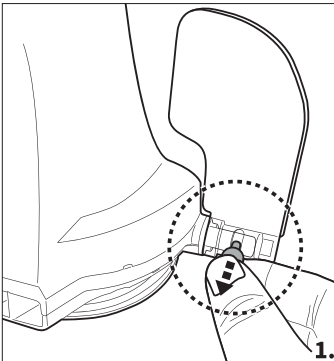
**Opmerking:** Wrik het deksel van de drijver los en haal net zoveel touw uit de drijver als de diepte van het zwembadwater plus ongeveer 0,5 m (19.7in.).







### Flap terugplaatsen



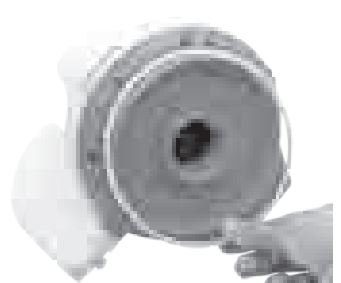
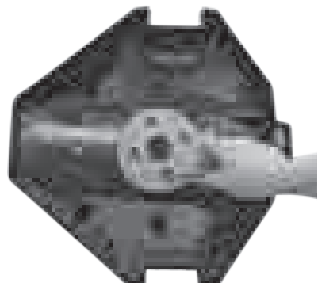
### Onderhoud en opberging

1. Tijdens het opbergen ontlaaft de batterij zichzelf. Zorg ervoor dat de robot volledig is opgeladen voor u hem opbergt.
  2. Wanneer niet in gebruik, moet u de batterij minstens eenmaal elke drie maanden opladen.
- Haal de stekker van de externe adapter uit het stopcontact en verwijder dan de oplaadkabel uit de externe adapter en de robot.
  - Koppel accessoires van de robot los. Spoel indien nodig de robot en de accessoires af met schoon water. GEEN reinigingsmiddel gebruiken.
  - Laat het water uit de robot weglopen voordat u deze opbergt.
  - Maak de robot en de accessoires schoon met een vochtige doek en maak ze droog.
  - Berg ze op in een goed geventileerde ruimte en uit de buurt van zonlicht, warmte, ontstekingsbronnen, zwembadchemicaliën en kinderen. De omgevingstemperatuur voor opslag moet 10°C - 25°C (50°F - 77°F) zijn. **OPMERKING:** Een hogere opslagtemperatuur kan de levensduur van de batterij verkorten.

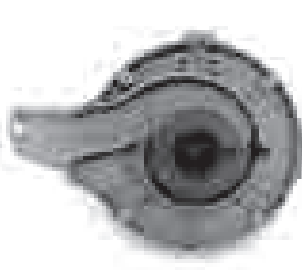
### De batterij verwijderen

Aanbevolen gereedschappen (niet bijgeleverd): Schroevendraaier.

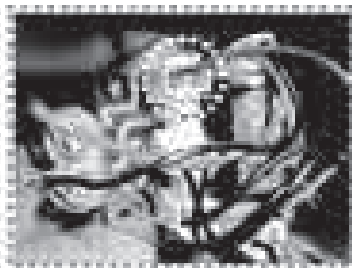
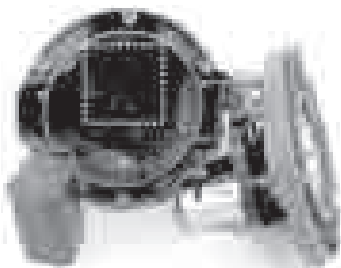
1. Maak het bovenste deksel los (vooraf gemonteerd met de draaikop). Draai het deksel om en maak de draaikop los door de onderste borgplaat linksom te draaien. Verwijder de draairing.



2. Draai de 4 schroeven op de onderkant van de draaikop los met de schroevendraaier om de onderste plaat eerst los te maken. Gebruik de schroevendraaier om alle schroeven op de basis los te schroeven zoals op de afbeelding. Verwijder de waaier en wrik dan de basis los en verwijder hem zodat u bij de kop kunt komen.



3. Verwijder de batterij om bij de printplaat te kunnen komen. Druk op de clip op de connector en trek die dan naar buiten om de verbindingsdraad van de batterij los te maken. **OPMERKING:** Omwikkel de pool onmiddellijk met isolatietape om kortsluiting door contact tussen de beide polen te voorkomen.



### WEGGOOIEN

Afgedankte elektrische apparaten mogen niet worden weggegooid bij het huisafval. Recycle als daar faciliteiten voor bestaan. Vraag advies over recyclen aan uw plaatselijke overheid of aan de winkelier.

## PROBLEEMEN OPLOSSEN

Probleem	Mogelijke oorzaak	Oplossing
De robot vangt geen vuil op.	Batterij is bijna leeg	Laad de robot opnieuw op.
	De waaier is geblokkeerd.	Schakel de robot uit en inspecteer de ruimte onder de draaikop om te zien of de waaier geblokkeerd is door groter vuil. Voor assistentie kunt u de supportafdeling op onze website bezoeken op <a href="http://www.bestwaycorp.com">www.bestwaycorp.com</a> . <b>WAARSCHUWING!</b> Zorg ervoor dat de robot is uitgeschakeld voordat de eenheid wordt gerepareerd.
	De zuigmond is verstopt	Verwijder opgehoopte voorwerpen uit de zuigmond.
	De waaier is kapot	Voor assistentie kunt u de supportafdeling op onze website bezoeken op <a href="http://www.bestwaycorp.com">www.bestwaycorp.com</a> .
	Het vuilcompartiment is vol	Reinig het vuilcompartiment en het filterdeksel.
De robot is gestopt met bewegen in het midden van het zwembad, maar de draaikop draait nog	De robot is gestopt door een obstakel of grote kreuken in de zwembadvoering	Controleer of er iets is dat de reiniger tegenhoudt. Verwijder het obstakel.
	De robot wordt gestopt door de zuiging van de hoofdafvoer van de zwembadvloer	Schakel het filtratiesysteem uit volgens de instructies in de handleiding.
De draaikop draait herhaaldelijk	Lucht gevangen in de robot	De draaikop kan enkele minuten herhaaldelijk draaien wanneer de robot naar de zwembadbodem zinkt. Dit fenomeen stopt wanneer de lucht die in de robot is gevangen geleidelijk wordt afgevoerd en de robot normaal begint te bewegen.
De robot beslaat niet het hele zwembad	Het vuilcompartiment is vol	Reinig het afvalcompartiment
	De werkingstijd is korter dan verwacht	Reinig het filtercompartiment en laad de robot opnieuw 6 uur op
	De bewegingsrichting wordt onderbroken door de watercirculatie die wordt gegenereerd door het filtratiesysteem	Schakel het filtratiesysteem ten minste 15 minuten voordat de robot wordt gebruikt uit (volgens de instructies in de filtratiehandleiding).
	Het wiel is geblokkeerd	Controleer het wiel en verwijder het vuil.
	De positie van de borgpen is niet goed ingesteld.	Volg de instructies om de positie van de borgpen aan te passen.
	Algen maken de zwembadvloer glad, waardoor de robot rondgaat in cirkels	Schrob de zwembadbodem en de robotwielen schoon om de algen te verwijderen
De robot beweegt langs de zwembadwand	De positie van de borgpen is niet goed ingesteld./ De robot is verkeerd gericht in het begin	Volg de instructies om de instelling van de borgpen aan te passen. Zorg ervoor dat de voorkant/achterkant van de robot in het begin naar de zwembadwand is gericht.
De robot beweegt langzaam of helemaal niet	Het vuilcompartiment is vol of het filterdeksel is verstopt	Reinig het afvalcompartiment. Spoel het vuilscherm schoon met water om kleine deeltjes te verwijderen. Als schoonborstelen nodig is, gebruik dan alleen een zachte borstel om het vuilscherm voorzichtig schoon te maken. <b>Let op:</b> zorg ervoor dat het filterdeksel op zijn plaats zit voor de volgende handeling
	De zuigmond is verstopt	Verwijder opgehoopte voorwerpen uit de zuigmond
	De waaier is geblokkeerd	Schakel de robot uit en inspecteer de ruimte onder de draaikop om te zien of de waaier geblokkeerd is door groter vuil. Voor assistentie kunt u de supportafdeling op onze website bezoeken op <a href="http://www.bestwaycorp.com">www.bestwaycorp.com</a> . <b>WAARSCHUWING!</b> Zorg ervoor dat de robot is uitgeschakeld voordat de eenheid wordt gerepareerd.

De draaikop draait niet of draait merkbaar langzaam	De zijflap komt niet omhoog	Controleer en verwijder eventueel vuil dat de beweging van de flap hindert.
	De onderkant van de draaikop is geblokkeerd	Koppel de draaikop en de draairing los volgens de instructies van het gedeelte "De batterij verwijderen" uit de handleiding en dan: - Verwijder vastzittend vuil - Controleer of de draairing en de bodemplaat goed zijn aangebracht (raadpleeg de onderstaande schema's) - Inspecteer de draairing op mogelijke schade en slijtage. Vervang door een nieuwe ring indien nodig
Er ontsnapt vuil uit de robot	De flap van de zuigmond (op de onderkant van de reiniger) is beschadigd	De flap van de zuigmond werkt als een deur, om te voorkomen dat er vuil uit het filter kan ontsnappen. Voor assistentie kunt u de supportafdeling op onze website bezoeken op <a href="http://www.bestwaycorp.com">www.bestwaycorp.com</a> .
	Er is vuil opgehoopt bij de zuigmond waardoor de flap niet kan sluiten	Verwijder opgehoopt vuil uit de zuigmond.
Het vuil lekt naar buiten bij het filterdeksel	Het net van het filterdeksel is beschadigd	Vervang het filterdeksel door een nieuw. Voor assistentie kunt u de supportafdeling op onze website bezoeken op <a href="http://www.bestwaycorp.com">www.bestwaycorp.com</a> .
De ronde drijver zinkt	De drijver is kapot en er lekt water in	Vervang de drijver door een nieuwe. Voor assistentie kunt u de supportafdeling op onze website bezoeken op <a href="http://www.bestwaycorp.com">www.bestwaycorp.com</a> .
De robot werkt korter dan de specificaties	De batterij is niet helemaal opgeladen	Laad de robot ten minste 6 uur op.
De robot kan niet worden opgeladen/opnieuw opgeladen	De batterij is beschadigd	Voor assistentie kunt u de supportafdeling op onze website bezoeken op <a href="http://www.bestwaycorp.com">www.bestwaycorp.com</a> . <b>WAARSCHUWING!</b> Vervang de batterij NIET zelf. Dit kan resulteren in ernstig of fataal letsel en de garantie doen vervallen.
	Het laadstation is niet volledig verbonden met de externe adapter en de robot	Zorg ervoor dat het laadstation goed en volledig is verbonden met de externe adapter en de robot. Raadpleeg de instructiehandleiding.
	De externe adapter is defect	Voor assistentie kunt u de supportafdeling op onze website bezoeken op <a href="http://www.bestwaycorp.com">www.bestwaycorp.com</a> . <b>WAARSCHUWING!</b> Het gebruik van de verkeerde externe adapter heeft beschadiging van de robot/batterij tot gevolg en maakt de garantie ongeldig.



## MANUALE D'USO

Visita il canale Bestway su YouTube 

### IMPORTANTE: ISTRUZIONI DI SICUREZZA

LEGGERE CON ATTENZIONE LE SEGUENTI ISTRUZIONI E AVVERTENZE PRIMA DI UTILIZZARE IL DISPOSITIVO.

CONSERVARE LE ISTRUZIONI PER FUTURI RIFERIMENTI

- Questo prodotto non è un GIOCATTOLO. Tenere il robot e i suoi accessori fuori dalla portata dei bambini .
- L'utilizzo di questo prodotto non deve essere mai consentito ai bambini.
- Questo robot non è destinato all'uso da parte di persone con ridotte capacità motorie, sensoriali o mentali, o prive esperienza e conoscenza, a meno che non abbiano ricevuto istruzioni specifiche sull'uso del dispositivo e siano sottoposti alla supervisione di una persona responsabile della loro sicurezza durante l'uso.
- Accertarsi che il robot sia completamente immerso in acqua prima di avviarlo. Il livello minimo dell'acqua richiesto per il funzionamento deve superare la testa girevole del robot. L'uso del robot quando lo stesso non è immerso correttamente potrebbe danneggiare l'unità e invalidare di conseguenza la garanzia.
- La profondità operativa massima in acqua è di 3 metri (10 piedi).
- Temperatura operativa massima in acqua: dai 5 ° C (41 ° F) ai 35 ° C (95 ° F).
- Utilizzare esclusivamente l'alimentatore rimovibile (adattatore esterno) fornito con questo robot per caricare la batteria.
-  Alimentatore rimovibile (adattatore esterno).
- Si prega di utilizzare solo l'alimentatore rimovibile (adattatore esterno: DSS18-0842000-B / DSS18-0842000-C) e la base di ricarica forniti con questo robot per caricare la batteria.
- **AVVERTENZA** - Questa apparecchiatura non è destinata all'uso da parte di persone (bambini di età inferiore a 8 anni inclusi) con capacità fisiche, mentali e sensoriali ridotte o mancanza di esperienza e conoscenze adeguate, a meno che non siano supervisionate e istruite ad un uso sicuro dell'apparecchio e se sono stati compresi i rischi connessi. I bambini devono sempre essere controllati per evitare che giochino con il prodotto. La pulizia e la manutenzione non devono essere eseguite dai bambini senza la supervisione di un adulto. (Per il mercato UE)
- **AVVERTENZA** - Questa apparecchiatura non è progettata per

essere utilizzata da persone (bambini inclusi) con ridotte funzionalità fisiche, sensoriali o mentali o da persone inesperte, a meno che non vengano controllate o che una persona responsabile della loro sicurezza non abbia spiegato loro il funzionamento dell'apparecchiatura. I bambini devono essere controllati per evitare che giochino con l'apparecchiatura. (Per un mercato diverso da UE)

- Collegare l'adattatore esterno a una fonte di alimentazione tramite un dispositivo a corrente residua (RCD) / interruttore di messa a terra (GFCI). In caso di dubbi, consultare un elettricista qualificato.
- Non utilizzare il robot se danneggiato.
- Sostituire le parti danneggiate con tempestività. Utilizzare solo ricambi certificati dal distributore o dal produttore.
- Si prega di spegnere il robot, scollegare l'adattatore esterno dalla rete di alimentazione e scollegare l'adattatore esterno dalla base di ricarica, prima di staccare il robot stesso dalla base di ricarica.
- Scollegare la pompa dalla rete di alimentazione prima di eseguire le normali operazioni di manutenzione quali la pulizia del filtro.
- La batteria installata è una batteria ricaricabile agli ioni di litio. Non tentare in nessun caso di sostituire tale prodotto.
- Il robot deve essere ricaricato solo tramite l'adattatore esterno e base di ricarica forniti con il prodotto.
- MAI maneggiare il robot, l'adattatore esterno e la base di ricarica con mani bagnate e/o a piedi nudi durante la ricarica.
- Non utilizzare questo robot in presenza di persone / animali domestici nella piscina.
- NON utilizzare questo robot privo di un filtro integro, in caso contrario la garanzia verrà considerata nulla.
- Rischio di risucchio: questo robot genera aspirazione. Assicurarsi che capelli, parti del corpo o parti di vestiario slacciate o allentate non vengano in contatto con foro di aspirazione del robot durante il suo funzionamento.
- Non inserire mai parti del corpo, indumenti e altri oggetti nelle aperture e parti mobili del robot.
- NON utilizzare questo robot per aspirare sostanze tossiche, liquidi infiammabili e combustibili quali ad esempio benzina e in presenza di gas esplosivi o infiammabili.
- Non tentare in nessun caso di smontare il robot e sostituire per proprio conto la girante, il motore e la batteria.
- Mai inserire le dita o qualsiasi oggetto per toccare la girante.
- Questo robot non deve essere utilizzato dai bambini.
- È necessario rimuovere la batteria dal robot prima di rottamarlo.
- La batteria deve essere rimossa solo da personale qualificato.
- Scollegare il robot dalla rete di alimentazione quando si rimuove la batteria.
- Per i dettagli relativi allo smaltimento della batteria, consultare la sezione "Smaltimento della batteria" nel presente manuale.
- La batteria deve essere smaltita in modo sicuro e in conformità con le ordinanze o normative locali.

- Il robot è dotato di una batteria ricaricabile agli ioni di litio che non richiede manutenzione e deve essere smaltita correttamente. Riciclaggio obbligatorio; si prega di contattare le autorità locali per ulteriori informazioni.
- Adattatore esterno e base di ricarica:
  - Utilizzare l'adattatore esterno e la base di ricarica esclusivamente per caricare la batteria fornita con il robot.
  - L'adattatore esterno e la base di ricarica non devono essere utilizzati all'aperto, né devono essere esposti a pioggia, umidità, liquidi o fonti di calore.
  - Il trasformatore (o adattatore esterno) deve essere situato al di fuori della zona 1.
  - Tenere l'adattatore esterno e la base di ricarica fuori dalla portata dei bambini.
  - Non utilizzare l'adattatore esterno e la base di ricarica qualora vengano notati danni.
  - MAI maneggiare l'adattatore esterno e la base di ricarica con le mani bagnate.
  - Scollegare l'adattatore esterno dalla rete di alimentazione quando non in uso.
  - Mai tentare di aprire l'adattatore esterno.
  - In caso il cavo di alimentazione risulti danneggiato, la sostituzione dovrà essere effettuata dal produttore, dal servizio di assistenza o da una persona ugualmente qualificata al fine di prevenire pericoli di qualsiasi tipo.
  - Assicurarsi che il robot sia completamente asciutto prima di metterlo sotto carica.

#### SMALTIMENTO DELLA BATTERIA:

- La batteria deve essere riciclata; contattare l'autorità locale per richiedere informazioni.
- La batteria deve essere rimossa dal robot per piscine prima che venga smaltito.
  - Durante la rimozione della batteria, il robot per piscine deve essere scollegato dall'alimentazione di rete.
  - La batteria deve essere smaltita in modo sicuro e idoneo.

#### ATTENZIONE!

- Questo robot è progettato esclusivamente per uso subacqueo; non è un aspirapolvere multiuso. NON tentare di utilizzarlo per pulire qualsiasi altro oggetto diverso dalla propria piscina.
- Utilizzare solo gli accessori originali inclusi nella confezione.
- NON utilizzare il robot subito dopo aver trattato l'acqua della piscina con clorazione shock. Si consiglia di lasciare circolare l'acqua della piscina per almeno 24-48 ore.
- Qualora si intenda utilizzare il robot in una piscina ad acqua salata, assicurarsi che il sale sia completamente sciolto prima di immergere il robot in acqua.
- L'uso del robot in contemporanea a un altro tipo di pulitore o pulitore automatico è sconsigliato.
- Evitare di raccogliere oggetti duri e taglienti con questo dispositivo; ciò potrebbe danneggiare il robot e il suo filtro.
- Evitare di trasportare il robot tramite il cavo dell'adattatore esterno o di tirare il cavo per scollegarlo dalla fonte di

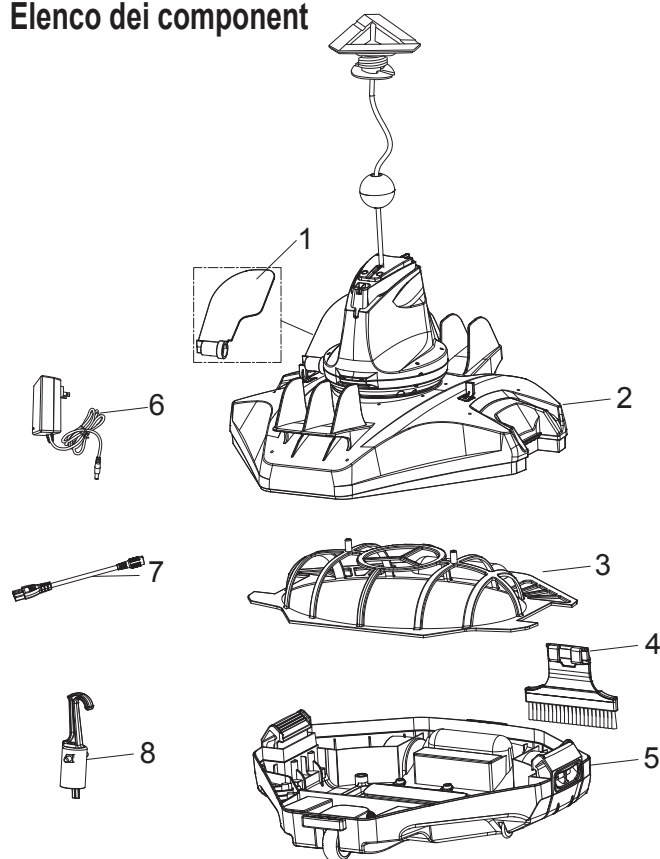
alimentazione e dalla base. Ciò potrebbe danneggiare l'adattatore esterno e la base di ricarica stessa.

- Ricaricare il robot al chiuso in un'area pulita, asciutta e ben ventilata, lontana dalla luce solare.
- NON lasciare il robot in carica per più di 10 ore.
- In caso si preveda di non utilizzarlo per lunghi periodi, staccare il robot dalla base di ricarica e utilizzare un panno umido per pulire e asciugare il robot stesso e i suoi accessori. Assicurarsi di caricare il robot dal 30% al 50% circa della capacità della batteria prima di riparlo. Conservare in un'area ben ventilata lontano da luce solare, fonti di calore e innesco, prodotti chimici per piscine e bambini. Ricaricare il robot ogni tre mesi.
- Tutte le azioni relative allo smontaggio della testa orientabile (es. smaltimento della batteria) devono essere eseguite unicamente da un tecnico autorizzato.

**Le avvertenze e le precauzioni sopra elencate non includono tutti le possibili evenienze di rischio e/o lesioni gravi. Si raccomanda ai proprietari di piscine / spa di esercitare sempre la massima attenzione e buon senso durante l'utilizzo del prodotto.**

#### CONSERVARE LE ISTRUZIONI PER RIFERIMENTI FUTURI

#### Elenco dei component



Cod.	Codice	QTÀ
1	P05700	1
2	P05626	1
3	P05628	1
4	P05632	1
5	P05627	1
6	P05696	1
7	P03880	1
8	P03879	1

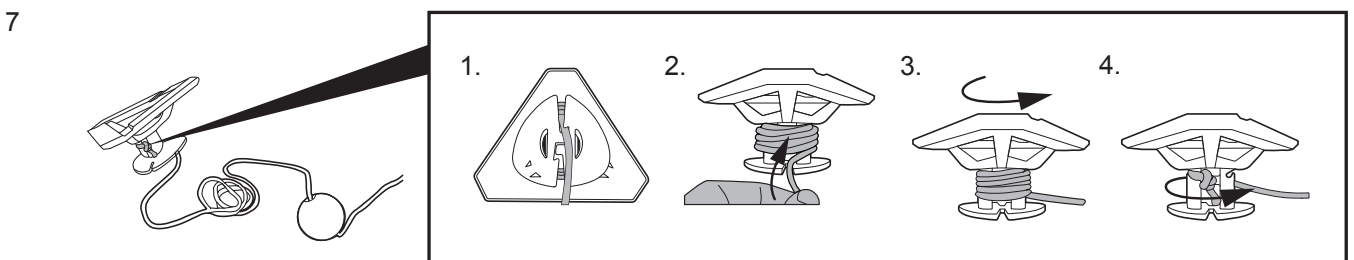
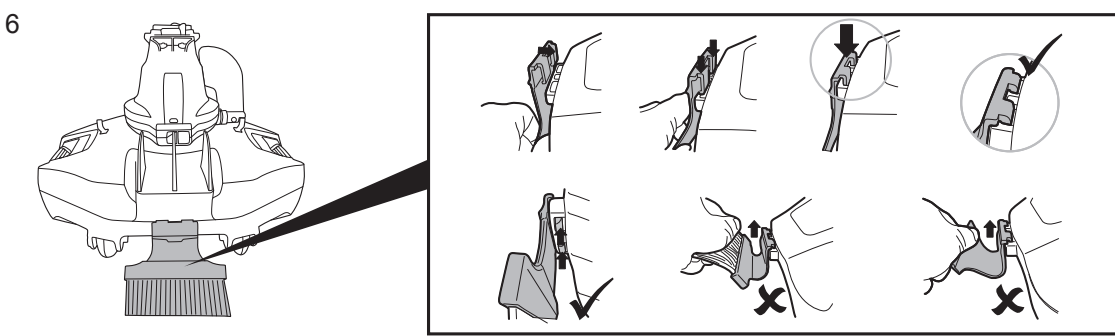
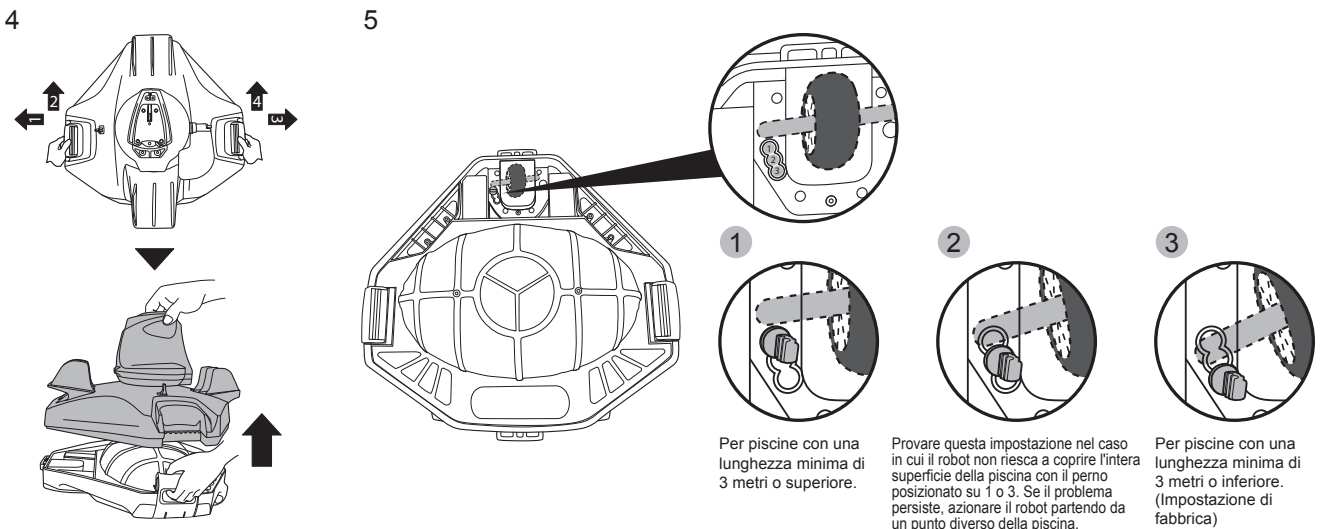
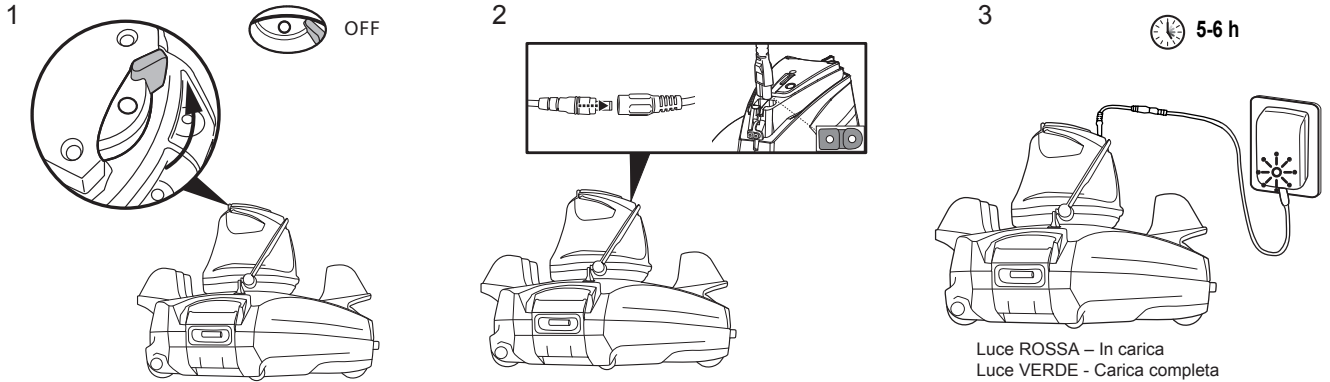
Il robot dispone di un ugello ad acqua situato alla base della testa girevole. L'acqua viene risucchiata dalla bocchetta nella parte inferiore del robot, attraverso il filtro e viene quindi espulsa dal propulsore. Il getto prodotto fa avanzare il robot. Quando il robot incontra un ostacolo come ad esempio la parete della piscina, l'aletta laterale ruota e la testa orientabile gira di 180°, permettendo al robot di muoversi nella direzione opposta. Il robot si muove di norma seguendo una traiettoria in linea retta in una direzione ed una traiettoria curva nella direzione opposta. Muovendosi, il robot cattura i detriti presenti sul fondale della piscina, raccogliendoli nel vano apposito.

# Assemblaggio e Funzionamento

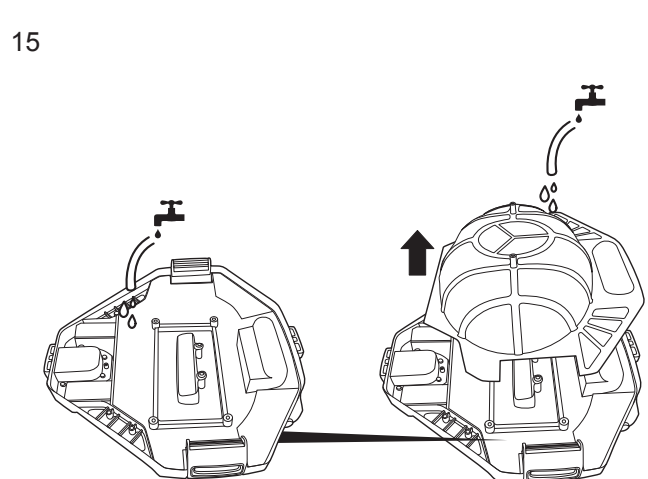
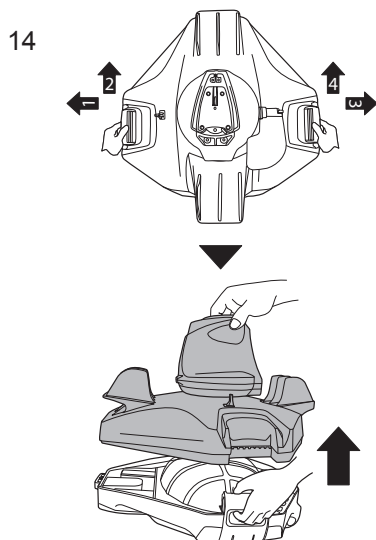
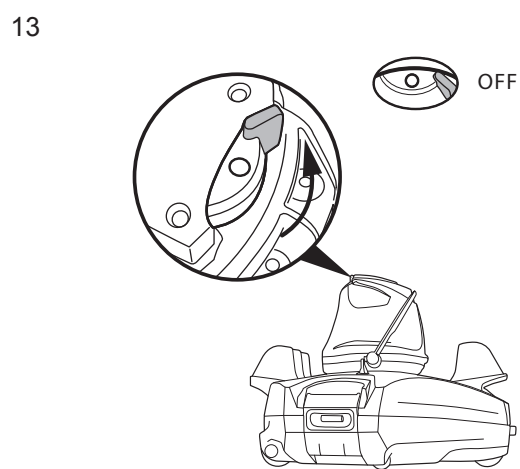
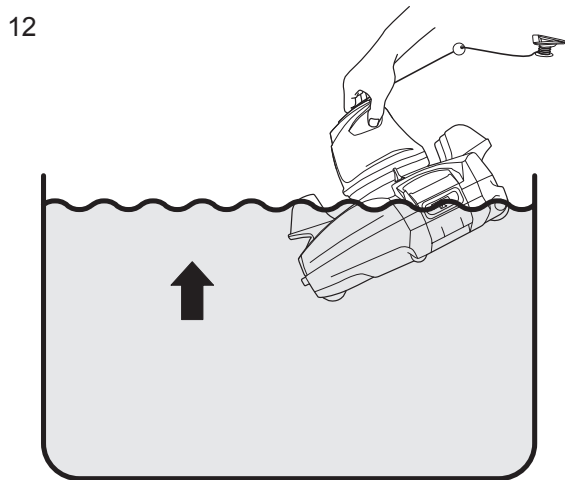
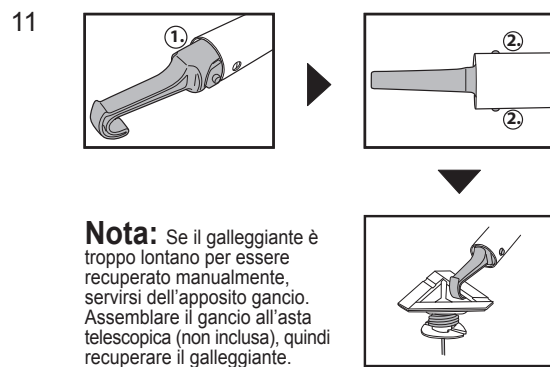
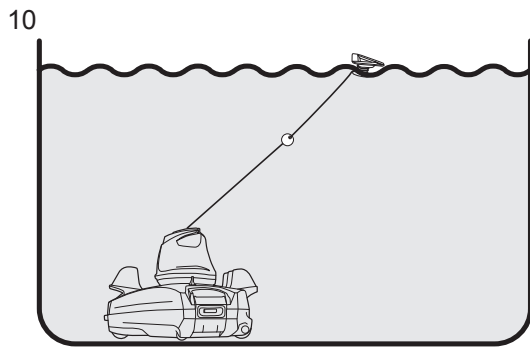
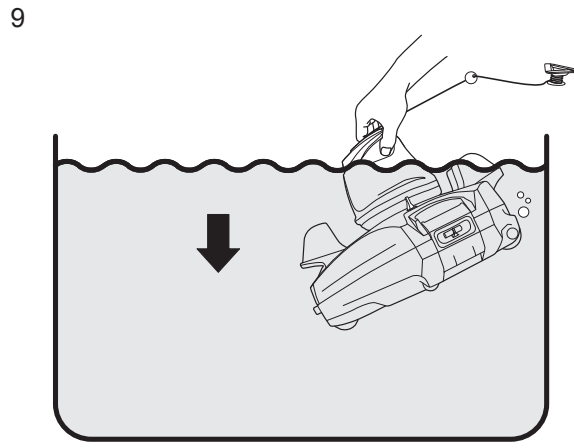
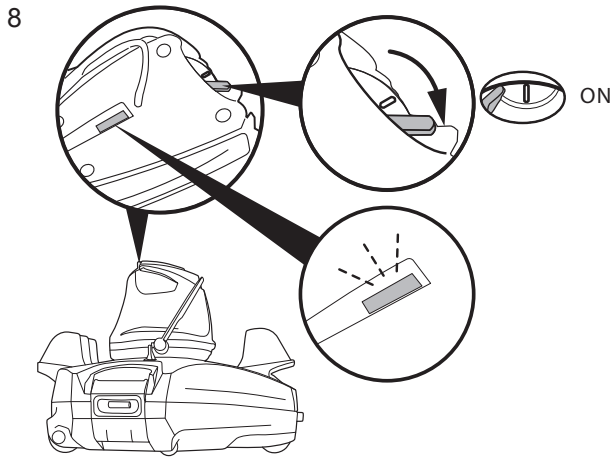
## AVVERTENZA Per la Ricarica

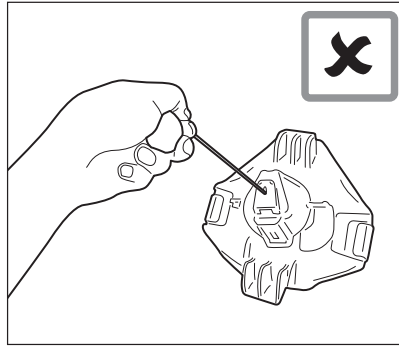
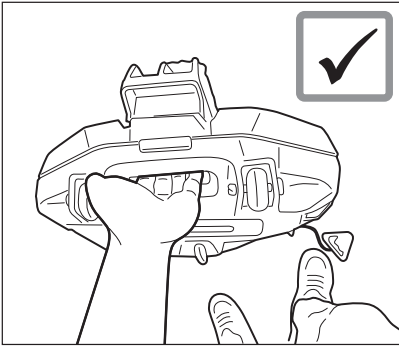
- Utilizzare solo l'adattatore esterno originale e il cavo di carica in dotazione.
- Pulire e asciugare il robot e l'ingresso dell'alimentazione prima dell'assemblaggio.
- Verificare che il robot sia spento e impostato OFF, prima della ricarica.
- Ricaricare completamente l'aspiratore per piscine al primo utilizzo. (circa 5-6 ore).
- Indicatore luminoso di stato: Luce spenta- Aspiratore spento / assenza di corrente.  
Luce accesa - Aspiratore in funzione  
Luce intermittente - La batteria si spegnerà in 10 minuti.

**Nota:** Quando il robot è sotto carica, la spia dell'adattatore esterno diventa rossa. La spia diventa verde quando la carica dell'aspiratore è quasi completa.

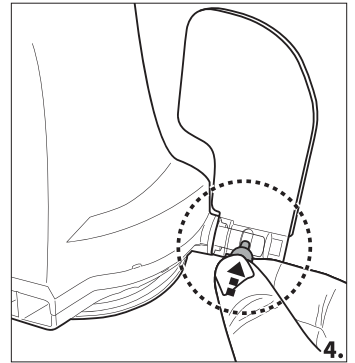
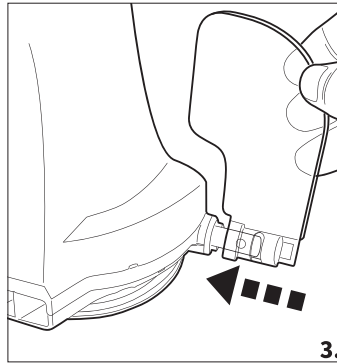
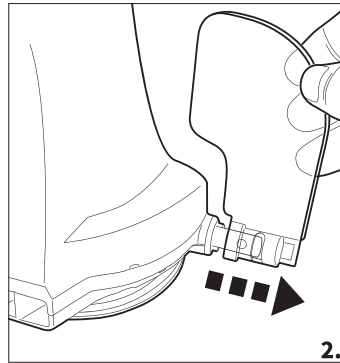
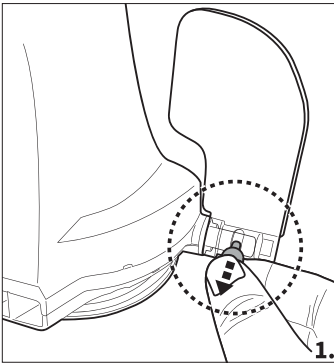


**Nota:** Fare leva per rimuovere l'involucro del galleggiante e distendere il cordino per una misura pari alla profondità della piscina più circa 0,5m (19.7in.).





### Sostituzione dell'aletta



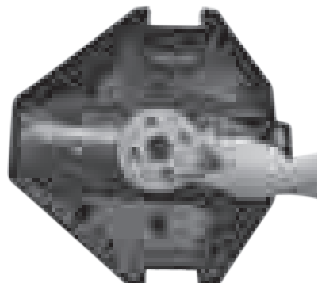
### Manutenzione e Conservazione

1. La batteria tende a scaricarsi durante i periodi di inutilizzo. Accertarsi di caricare completamente il robot prima di conservarlo.
  2. È necessario caricare almeno una volta ogni tre mesi la batteria in stato di inutilizzo.
- Scollegare prima l'adattatore esterno dalla presa, quindi il cavo di carica dall'adattatore esterno e dal robot.
  - Disinstallare gli accessori dal robot. Se necessario, sciacquare il robot e gli accessori con acqua dolce. NON adoperare detersivi.
  - Accertarsi di eliminare tutta l'acqua dal robot prima di conservarlo.
  - Pulire con un panno umido e asciugare robot e accessori.
  - Conservare in luogo areato, al riparo da raggi solari, calore, fonti d'ignizione, prodotti chimici per piscine e fuori dalla portata dei bambini. La temperatura dell'ambiente di stoccaggio deve essere compresa tra 10°C e 25°C (50°F – 77°F). **NOTA:** Una temperatura più elevata può ridurre la vita utile della batteria.

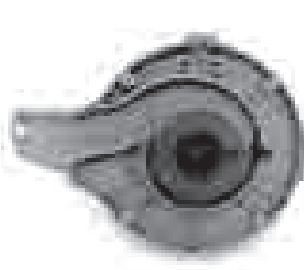
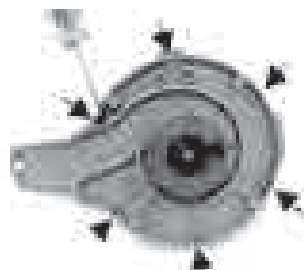
### Rimozione della batteria

Utensili raccomandati (non inclusi): Cacciavite.

1. Smontare la carena (unita alla testina girevole). Capovolgere la carena e sganciare la testina girevole ruotando la piastra bloccaggio in senso orario. Rimuovere l'anello di giunzione.

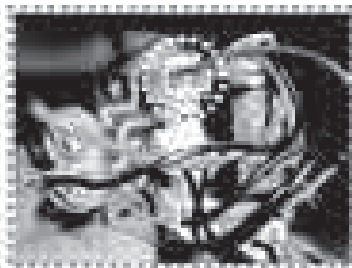
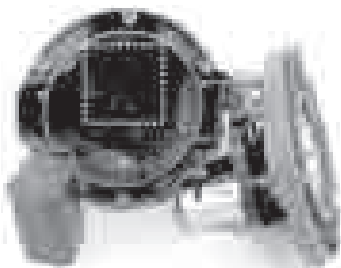


2. Con un cacciavite rimuovere le 4 viti nella parte inferiore della testina, in modo da smontare la piastra alla base. Svitare col cacciavite tutte le viti della base come indicato in figura. Rimuovere la girante, fare leva sulla piastra e rimuoverla, quindi scoprire l'interno.





3. Estrarre la batteria per localizzare il circuito stampato. Scollegare il cavo batteria premendo sulla clip del connettore e tirando verso l'esterno. **NOTA:** Avvolgere i connettori con nastro isolante per evitare corti circuiti causati dal contatto tra entrambi i terminali.

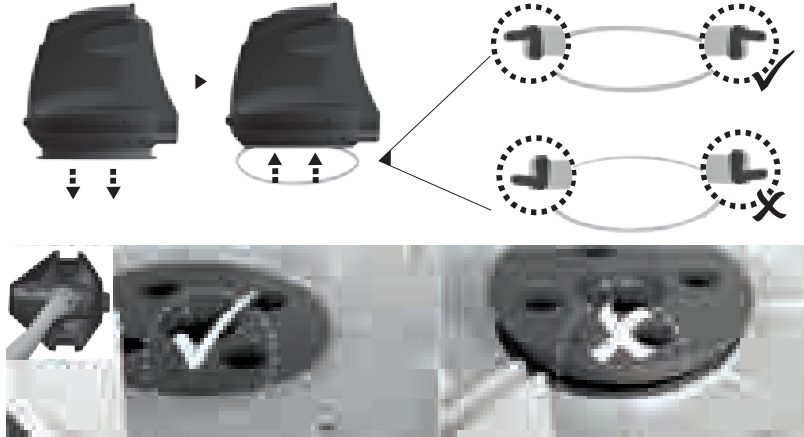


### SMALTIMENTO

I rifiuti di prodotti elettrici non devono essere smaltiti insieme ai rifiuti domestici. Si prega di riciclare dove esistono strutture. Verificare con l'autorità locale o il rivenditore per consigli sul riciclaggio.

## RISOLUZIONE DEI PROBLEMI

Problema	Cause possibili	Soluzione
Il robot non raccoglie i detriti	La batteria si sta scaricando	Caricare di nuovo il robot.
	La girante è inceppata	Spegnere il robot e ispezionare il foro sotto la testa orientabile per verificare che la girante non sia bloccata da detriti di grandi dimensioni. Per assistenza, visitare la sezione di supporto sul nostro sito web, <a href="http://www.bestwaycorp.com">www.bestwaycorp.com</a> . <b>ATTENZIONE!</b> Assicurarsi che il robot sia spento prima di eseguire la manutenzione dell'unità.
	La bocchetta di aspirazione è ostruita	Rimuovere gli oggetti incastrati dalla bocchetta di aspirazione.
	La girante è rotta	Per assistenza, visitare la sezione di supporto sul nostro sito web, <a href="http://www.bestwaycorp.com">www.bestwaycorp.com</a> .
	Il vano detriti è pieno	Pulire il vano detriti e il coperchio del filtro.
Il robot si è fermato in mezzo alla piscina ma la testa orientabile sta ancora girando	Il robot si è fermato contro un ostacolo o grosse pieghe nel rivestimento della piscina	Verificare che non vi siano ostacoli a fermare il robot. Rimuovere l'ostacolo.
	Il robot è bloccato dal risucchio causato dallo scarico principale sul fondale della piscina	Spegnere il sistema di filtraggio come indicato nel manuale.
La testa orientabile ruota ripetutamente	Aria intrappolata all'interno del robot	La testa orientabile può mettersi a ruotare ripetutamente per alcuni minuti quando il robot raggiunge il fondo della piscina. Il fenomeno cesserà non appena l'aria intrappolata all'interno del robot verrà gradualmente espulsa e il robot inizierà a spostarsi normalmente.
Il robot non copre l'intera superficie della piscina	Il vano detriti è pieno	Pulire il vano detriti
	Il robot ha una autonomia inferiore al previsto	Pulire l'alloggiamento del filtro e ricaricare il robot per 6 ore
	La traiettoria è ostacolata dal ricircolo dell'acqua generato dal sistema di filtraggio	Spegnere il sistema di filtraggio (come indicato nel manuale) almeno 15 minuti prima di mettere in funzione il robot.
	La ruota è inceppata	Controllare la ruota e rimuovere eventuali detriti.
	Il perno di bloccaggio non è nella giusta posizione.	Seguire le istruzioni per regolare la posizione del perno di bloccaggio.
Le alghe rendono scivoloso il fondo della piscina, il che fa sì che il robot si muova in cerchio	Sfregare il fondo della piscina e le ruote del robot per rimuovere le alghe	
Il robot si sposta lungo la parete della piscina	La posizione del perno di bloccaggio non è impostata correttamente / il robot è stato orientato nella direzione errata all'inizio dell'operazione.	Regolare l'impostazione del perno di bloccaggio secondo istruzioni. Assicurarsi che la parte anteriore / posteriore del robot sia rivolta verso la parete della piscina all'inizio dell'operazione.
Il robot si muove lentamente o non si muove affatto	Il vano detriti è pieno o la copertura del filtro è ostruita	Pulire il vano detriti. Sciacquare lo schermo con acqua per rimuovere i residui più piccoli. Nel caso lo si ritenga necessario, utilizzare un pennello morbido per pulire con delicatezza lo schermo. <b>Nota:</b> assicurarsi che la copertura del filtro sia posizionata correttamente prima di rimettere in funzione il robot
	La bocchetta di aspirazione è ostruita	Rimuovere gli oggetti incastrati dalla bocchetta di aspirazione
	La girante è inceppata	Spegnere il robot e ispezionare il foro sotto la testa orientabile per verificare che la girante non sia bloccata da detriti di grandi dimensioni. Per assistenza, visitare la sezione di supporto sul nostro sito web, <a href="http://www.bestwaycorp.com">www.bestwaycorp.com</a> . <b>ATTENZIONE!</b> Assicurarsi che il robot sia spento prima di eseguire la manutenzione dell'unità.

	L'aletta laterale non si alza	Controllare e rimuovere eventuali detriti che ostacolano il movimento dell'aletta.
	La parte inferiore della testa orientabile è inceppata	Staccare la testa orientabile e l'anello di giunzione secondo le istruzioni del manuale alla sezione "Come rimuovere il pacco batteria", successivamente: - Rimuovere i detriti intrappolati - Verificare che l'anello di giunzione e la piastra inferiore siano installati correttamente (fare riferimento agli schemi seguenti) - Verificare che l'anello di giunzione non sia danneggiato o presenti segni di usura. Sostituire con un nuovo anello di giunzione, se necessario
La testa orientabile non ruota o ruota molto lentamente		
I detriti fuoriescono dal robot	L'aletta della bocchetta aspirante (sul fondo dell'aspiratore) è danneggiata	L'aletta della bocchetta aspirante ha la funzione di una porta che impedisce ai detriti di fuoriuscire dal vano di raccolta. Per assistenza, visitare la sezione di supporto sul nostro sito web, <a href="http://www.bestwaycorp.com">www.bestwaycorp.com</a> .
	I detriti ostruiscono la bocchetta aspirante, impedendo all'aletta di chiudersi	Rimuovere i detriti che ostruiscono la bocchetta aspirante.
I detriti fuoriescono dalla copertura del filtro	La retina della copertura del filtro è danneggiata	Sostituire con una nuova copertura del filtro. Per assistenza, visitare la sezione di supporto sul nostro sito web, <a href="http://www.bestwaycorp.com">www.bestwaycorp.com</a> .
Il galleggiante affonda	Il galleggiante è rotto e imbarca acqua	Sostituire con un nuovo galleggiante. Per assistenza, visitare la sezione di supporto sul nostro sito web, <a href="http://www.bestwaycorp.com">www.bestwaycorp.com</a> .
L'autonomia del robot è inferiore al previsto	La batteria non è completamente carica	Mettere in carica il robot per almeno 6 ore.
Il robot non può essere caricato / ricaricato	La batteria è danneggiata	Per assistenza, visitare la sezione di supporto sul nostro sito web, <a href="http://www.bestwaycorp.com">www.bestwaycorp.com</a> . <b>ATTENZIONE!</b> NON sostituire la batteria da soli. Ciò potrebbe causare lesioni gravi o anche fatali con conseguente annullamento della garanzia.
	La base di ricarica non è del tutto collegata all'adattatore esterno e al robot	Assicurarsi che la base di ricarica sia connessa correttamente e completamente all'adattatore esterno e al robot. Fare riferimento al manuale di istruzioni.
	L'adattatore esterno non funziona	Per assistenza, visitare la sezione di supporto sul nostro sito web, <a href="http://www.bestwaycorp.com">www.bestwaycorp.com</a> . <b>ATTENZIONE!</b> L'utilizzo di un adattatore esterno non idoneo potrebbe causare danni al robot / alla batteria, facendo decadere di conseguenza la garanzia.




## NOTICE D'UTILISATION

Visitez la chaîne YouTube de Bestway

### CONSIGNES DE SÉCURITÉ IMPORTANTES

VEUILLEZ LIRE ATTENTIVEMENT LES CONSIGNES DE SÉCURITÉ ET LES INSTRUCTIONS SUIVANTES AVANT D'UTILISER L'APPAREIL ET CONSERVEZ-LES POUR POUVOIR LES CONSULTER EN CAS DE BESOIN.

- Ceci n'est pas un JOUET. Ce robot et ses accessoires doivent être conservés hors de portée des enfants.
- Ne laissez jamais les enfants utiliser ce produit.
- Ce robot n'est pas conçu pour être utilisé par des personnes présentant des capacités physiques sensorielles ou mentales réduites ou un manque d'expérience et de connaissances si elles ont appris à utiliser l'appareil en toute sécurité et qu'elles sont sous la surveillance d'une personne responsable de leur sécurité.
- Assurez-vous que le robot est entièrement immergé dans l'eau avant de l'utiliser. Le niveau d'eau minimal requis pour faire fonctionner le robot doit dépasser la tête pivotante du robot. L'utilisation du robot lorsqu'il n'est pas immergé correctement dans l'eau pourrait endommager l'unité et rendre la garantie caduque.
- La profondeur maximale de fonctionnement dans l'eau est de 3 mètres (10 pieds).
- Température de fonctionnement de l'eau : 5 °C (41 °F) - 35 °C (95 °F).
- N'utilisez que l'alimentation amovible (adaptateur externe) fournie avec ce robot pour recharger la batterie.
-  Alimentation amovible (adaptateur externe).
- Pour recharger la batterie, n'utilisez que l'alimentation amovible (adaptateur externe : DSS18-0842000-B / DSS18-0842000-C) et la station de charge fournie avec ce robot pour charger la batterie.
- **ATTENTION** - Cet appareil peut être utilisé par les enfants de plus de 8 ans et par les personnes présentant des capacités physiques, sensorielles ou mentales réduites ou un manque d'expérience et de connaissances s'ils sont supervisés ou s'ils ont appris à utiliser l'appareil en toute sécurité et qu'ils sont conscients des risques que cela comporte. Il est interdit aux enfants de jouer avec l'appareil. Le nettoyage et la maintenance ne doivent pas être effectués par des enfants sans surveillance. (pour le marché UE)
- **ATTENTION** - Cet appareil n'est pas prévu pour être utilisé par des personnes (y compris des enfants) présentant des capacités physiques, sensorielles ou mentales réduites ou un

manqué d'expérience et de connaissances à moins qu'ils soient supervisés par ou qu'ils aient appris à utiliser l'appareil avec une personne responsable de leur sécurité. Il faut surveiller les enfants pour s'assurer qu'ils ne jouent pas avec l'appareil. (pour le marché hors UE)

- Raccordez l'adaptateur externe à une source d'alimentation via un dispositif différentiel à courant résiduel (DDR) / un disjoncteur de fuite de terre (GFCI). En cas de doute, adressez-vous à un électricien professionnel qualifié.
- N'utilisez pas ce robot si vous remarquez qu'il est endommagé.
- Remplacez les pièces endommagées dans les plus brefs délais. N'utilisez que des pièces certifiées par le distributeur ou le fabricant.
- Mettez le robot hors tension, déconnectez l'adaptateur externe de la source d'alimentation, et débranchez l'adaptateur externe de la station de charge avant de détacher le robot de la station de charge.
- Débranchez la pompe du secteur avant d'effectuer l'entretien comme par exemple le nettoyage du filtre.
- La batterie mise en place est un bloc batterie Li-ion rechargeable. Ne tentez jamais de remplacer ce produit.
- Le robot ne doit être rechargé qu'avec l'adaptateur externe et la station de charge fournis avec ce produit.
- NE MANIPULEZ PAS le robot, l'adaptateur externe et la station de charge avec des membres mouillés et sans chaussures lorsqu'il est en train de se recharger.
- Vous ne devez pas utiliser ce robot lorsque des personnes/animaux se trouvent dans l'eau.
- N'UTILISEZ PAS ce robot sans un filtre intact à sa place, car cela rendrait votre garantie caduque.
- Risque de coincement par aspiration : Ce robot génère une aspiration. Ne laissez pas les cheveux, le corps et des vêtements amples à la portée du trou d'aspiration du robot lorsqu'il fonctionne.
- N'introduisez jamais aucune partie du corps, ni aucun vêtement ou autre objet dans les ouvertures et les parties mobiles du robot.
- N'UTILISEZ PAS ce robot pour récupérer des substances toxiques, des liquides inflammables ou combustibles tels que du carburant, et en présence de fumées explosives ou inflammables.
- En aucun cas vous ne devez tenter de démonter le robot pour remplacer le rotor, le moteur et la batterie par vous-même.
- N'insérez jamais les doigts ni des objets pour entrer en contact avec le rotor.
- Ce robot ne doit pas être utilisé par des enfants.
- La batterie doit être retirée du robot avant de le jeter.
- Ce robot contient une batterie qui peut être enlevée uniquement par des personnes compétentes.
- Avant de retirer la batterie, le robot doit être débranché du secteur.
- Pour de plus amples détails sur l'élimination de la batterie, consultez le paragraphe « Élimination de la batterie » dans ce manuel.
- La batterie doit être éliminée en toute sécurité et conformément aux réglementations et ordonnances locales.

- Le robot contient un bloc batterie ion-lithium, rechargeable et exempt de maintenance, qui doit être éliminé de manière appropriée. Le recyclage est obligatoire, veuillez contacter les autorités locales pour plus d'informations.
- Adaptateur externe et station de charge :
  - N'utilisez jamais l'adaptateur externe et la station de charge pour toute autre chose que la recharge de la batterie du robot fourni dans le même kit.
  - L'adaptateur externe et la station de charge ne doivent pas être utilisés à l'extérieur. Ils ne doivent pas être exposés à la pluie, à l'humidité, à tout liquide ou à la chaleur.
  - Le transformateur (ou adaptateur externe) doit être installé en dehors de la zone 1.
  - Conservez l'adaptateur externe et la station de charge hors de portée des enfants.
  - N'utilisez jamais l'adaptateur externe et la station de charge si vous remarquez qu'ils sont endommagés.
  - NE MANIPULEZ PAS l'adaptateur externe et la station de charge avec les mains mouillées.
  - Conservez l'adaptateur externe débranché de l'alimentation lorsque vous ne l'utilisez pas.
  - Ne tentez jamais d'ouvrir l'adaptateur externe.
  - Si le cordon d'alimentation est endommagé, faites-le remplacer par le fabricant, son représentant ou une personne qualifiée pour éviter tout danger quel qu'il soit.
  - Vérifiez que le robot est complètement sec avant de le recharger.

#### ÉLIMINATION DE LA BATTERIE :

Le recyclage est obligatoire, veuillez contacter les autorités locales pour plus d'informations.

- La batterie doit être retirée de l'aspirateur de piscine avant élimination.
- Avant de retirer la pile, l'aspirateur de piscine doit être débranché du secteur (prise électrique).
- La batterie doit être éliminée de manière sûre et appropriée.

#### ATTENTION !

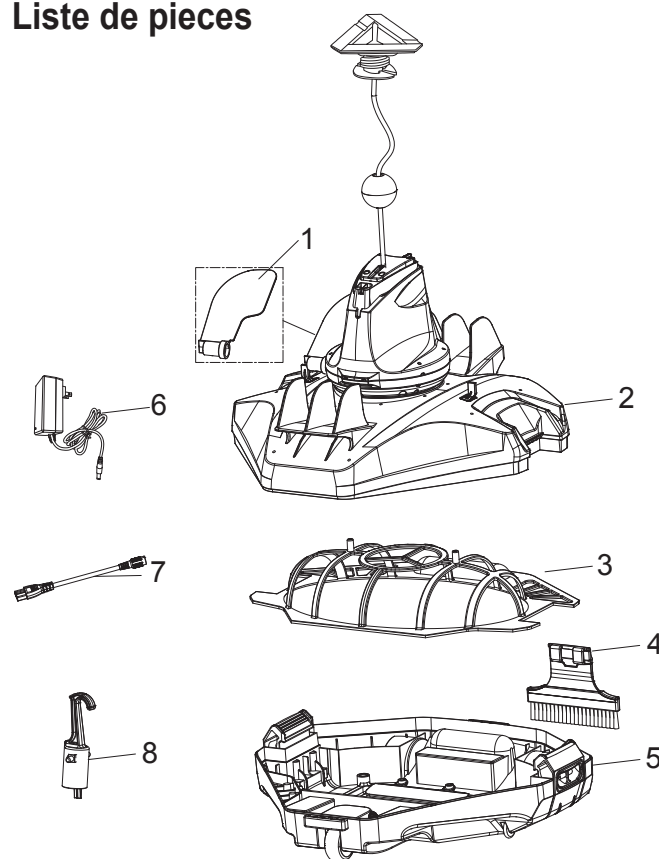
- Ce robot est conçu exclusivement pour un usage sous l'eau. Ce n'est pas un aspirateur multiusage. N'ESSAYEZ PAS de l'utiliser pour nettoyer autre chose que votre piscine.
- N'utilisez que des accessoires originaux fournis avec ce produit.
- N'UTILISEZ PAS ce robot juste après avoir procédé au traitement choc de la piscine. Il est recommandé de laisser d'abord l'eau circuler dans la piscine pendant au moins 24-48 heures.
- Si vous prévoyez d'utiliser le robot dans une piscine d'eau salée, assurez-vous que l'ensemble du sel se soit dissous avant de placer le robot dans l'eau.
- Il est déconseillé d'utiliser ce robot en même temps qu'un autre nettoyeur/nettoyeur automatique.
- Évitez de ramasser des objets durs et pointus avec ce produit car ils peuvent endommager le robot et le filtre.
- Pour éviter d'endommager l'adaptateur externe et la station de charge, ne tentez pas de porter le robot par le câble de l'adaptateur externe ou de tirer sur le câble pour le débrancher de la source d'alimentation et de la station de charge.

- Rechargez le robot à l'intérieur, dans un endroit propre et sec, disposant d'une bonne ventilation et pas en plein soleil.
- NE LAISSEZ PAS le robot se recharger pendant plus de 10 heures.
- Si le robot n'est pas utilisé pendant une période prolongée, détachez-le de sa station de charge et utilisez un chiffon humide pour le nettoyer et le sécher ainsi que ses accessoires. Assurez-vous de charger le robot à environ 30 % à 50 % de la capacité de la batterie avant de le ranger. Conservez-le dans un endroit bien aéré, hors de portée des rayons du soleil, de la chaleur, des sources d'inflammation, des produits chimiques pour piscine et des enfants. Rechargez le robot tous les trois mois.
- Toutes les actions relatives au démontage de la tête pivotante (c'est-à-dire, l'élimination de la batterie) ne peuvent être effectuées que par un technicien agréé.

**Les avertissements et mises en garde ci-dessus ne sont pas destinés à prendre en compte tous les cas éventuels de risques et/ou de blessures graves.** Les propriétaires de piscines/spas doivent toujours faire preuve d'une extrême prudence et de bon sens lors de l'utilisation du produit.

### CONSERVEZ CES INSTRUCTIONS

#### Liste de pieces



Pièce N°	Code de la	Q.TÉ
1	P05700	1
2	P05626	1
3	P05628	1
4	P05632	1
5	P05627	1
6	P05696	1
7	P03880	1
8	P03879	1

Le robot a une buse à propulsion d'eau située dans la partie inférieure de la tête pivotante. L'eau est tout d'abord aspirée à l'aide de la bouche d'aspiration sur la partie inférieure du robot, elle traverse ensuite le filtre puis est évacuée par la buse à propulsion. L'eau éjectée de la buse propulse le robot vers l'avant. Dès que le robot s'arrête contre un obstacle comme le mur de la piscine, son ailette latérale pivote et sa tête pivotante tourne à 180°, permettant ainsi au robot de se déplacer dans la direction opposée. Le robot se déplace suivant une trajectoire généralement droite dans une direction et suivant une trajectoire en arc dans l'autre direction. Le robot aspire le fond de la piscine lorsqu'il se déplace, en ramassant les débris pour les mettre dans son compartiment.

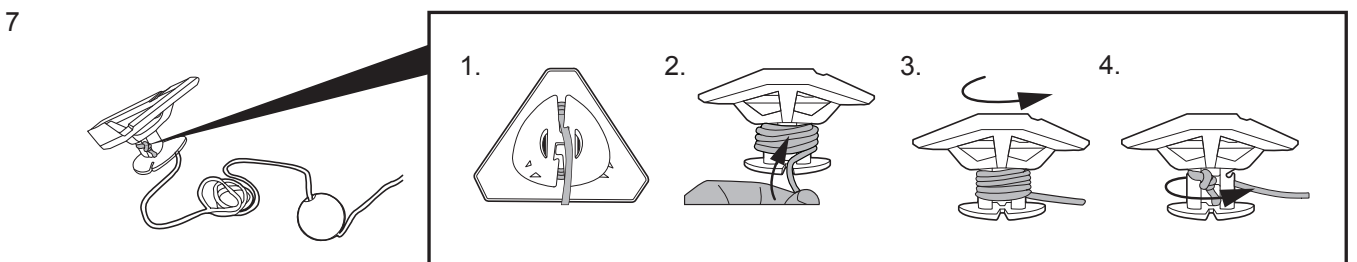
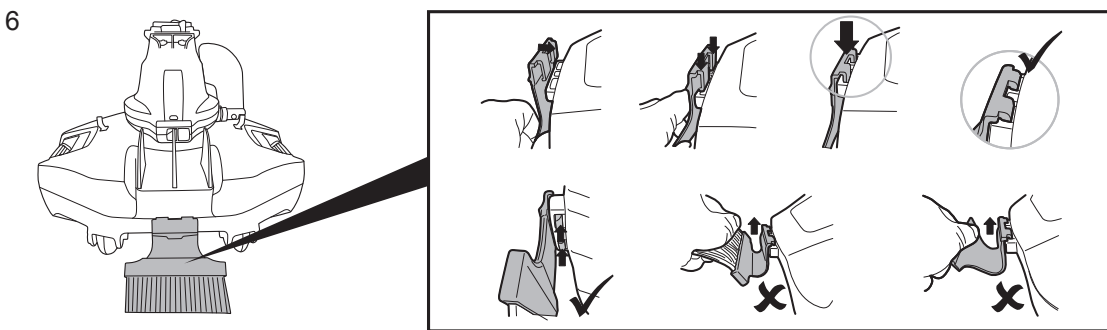
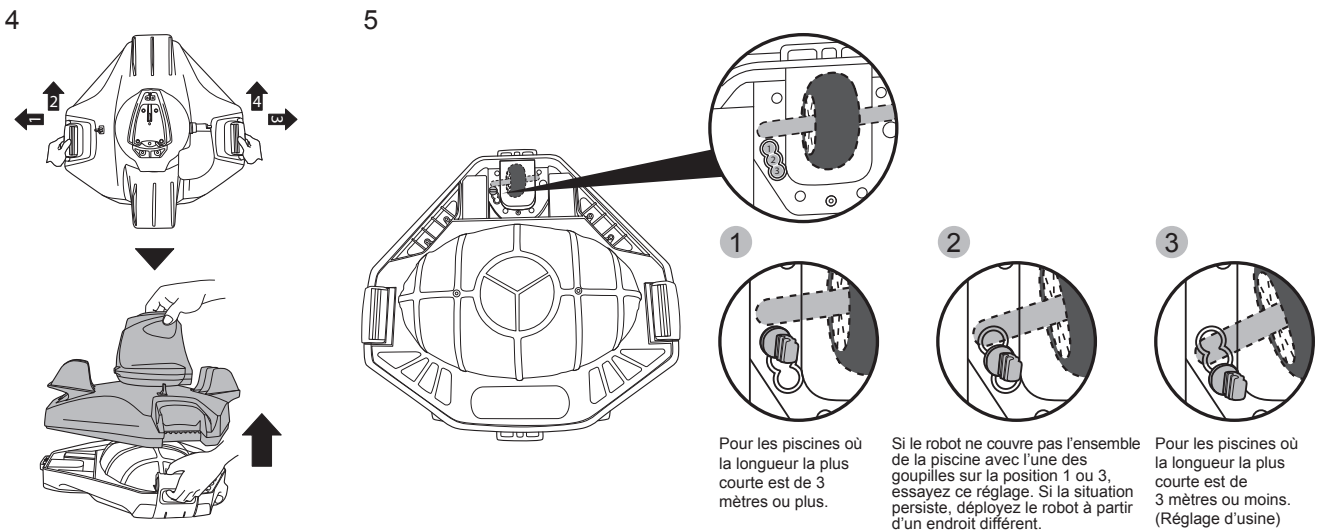
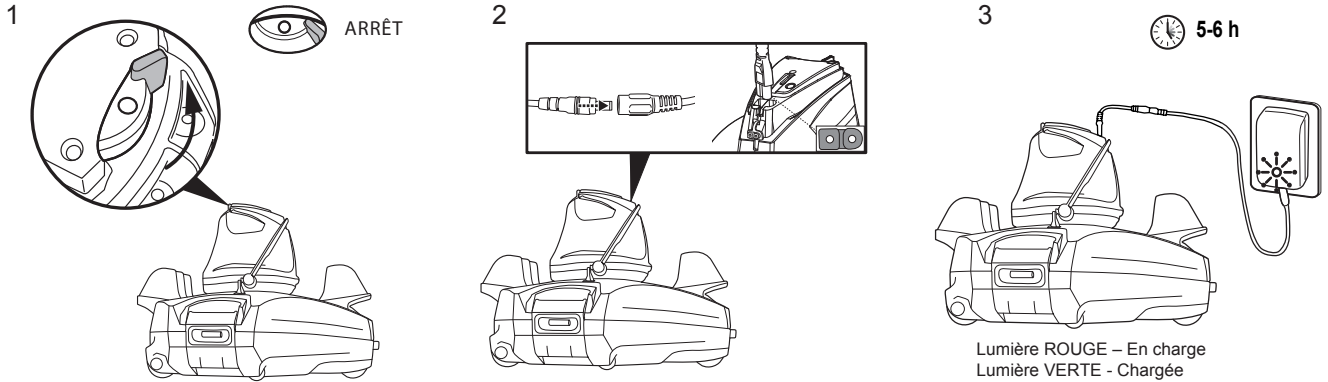
## Assemblage et fonctionnement

### AVERTISSEMENT Pour la recharge

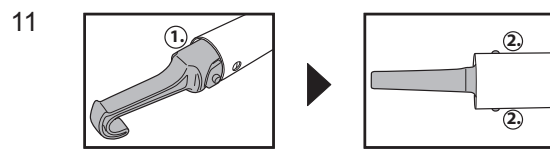
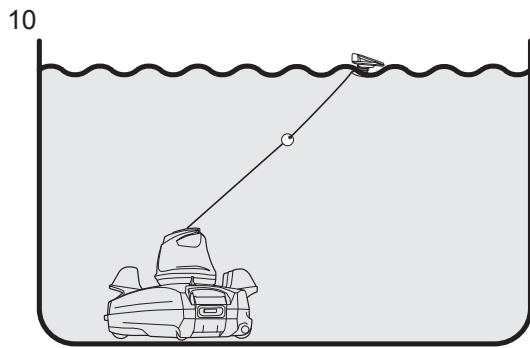
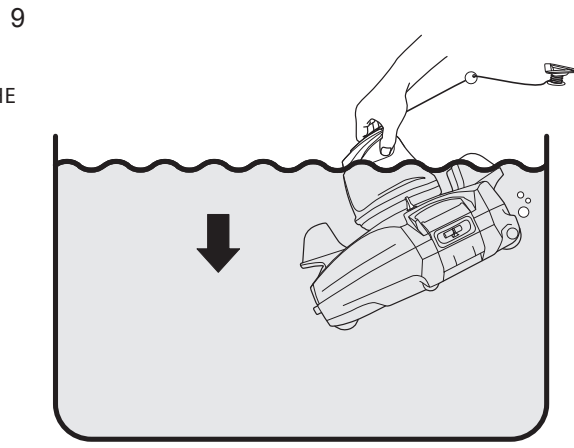
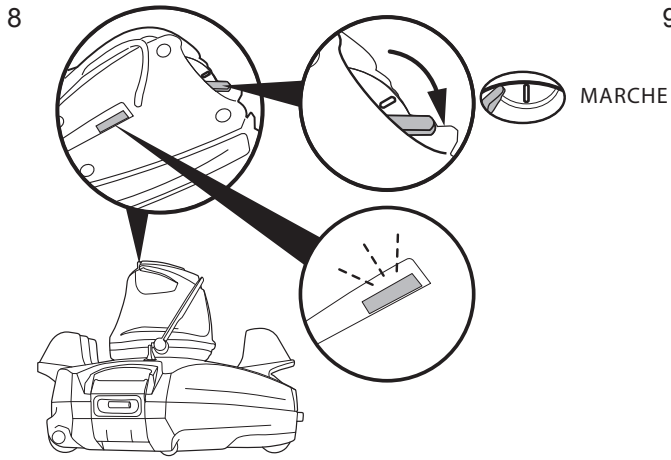
- Utilisez uniquement l'adaptateur externe d'origine et le câble de charge fourni.
- Assurez-vous que le robot et le port du chargeur sont propres et secs avant de procéder.
- Assurez-vous que le robot est éteint en faisant coulisser l'interrupteur sur OFF avant de procéder à la recharge.
- Chargez entièrement le robot (env. 5 à 6 heures) avant de l'utiliser pour la première fois.
- Voyant indicateur d'alimentation : Éteint - État désactivé / Aucune alimentation  
Allumé - État activé

Voyant clignotant - L'alimentation de la batterie s'arrêtera dans les 10 minutes.

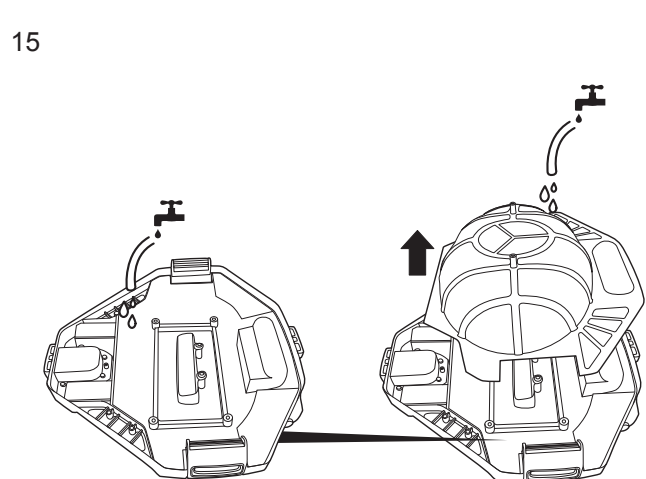
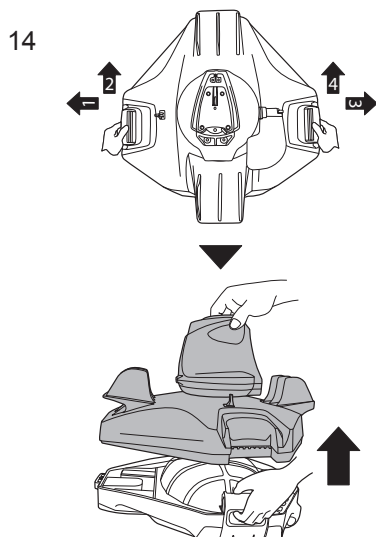
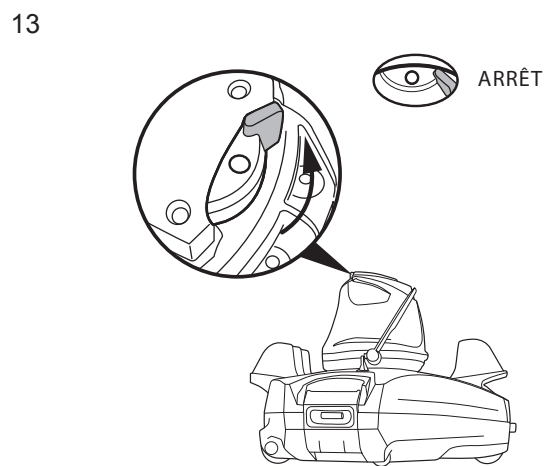
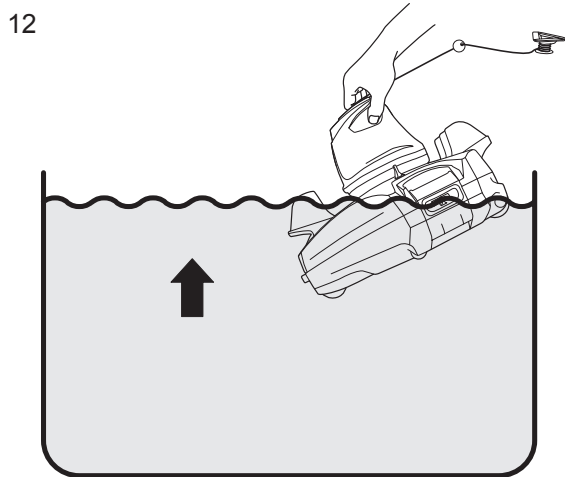
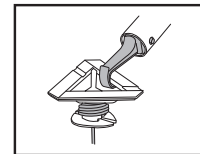
**Remarque :** Une fois que le robot commence à charger, le voyant indicateur situé sur l'adaptateur externe s'allume en rouge. Lorsque le robot est quasiment entièrement chargé, le voyant indicateur passe en vert.

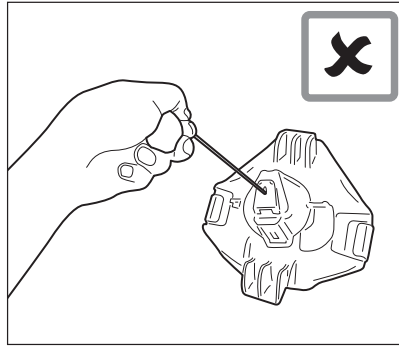
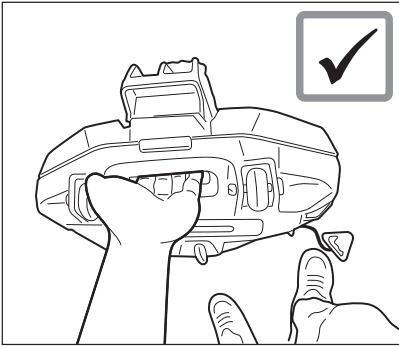


**Remarque :** Forcez pour détacher la bâche du flotteur et libérez la corde du flotteur à la profondeur de l'eau de la piscine plus environ 0,5 m (19,7 po.).

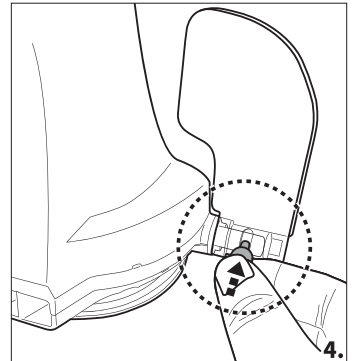
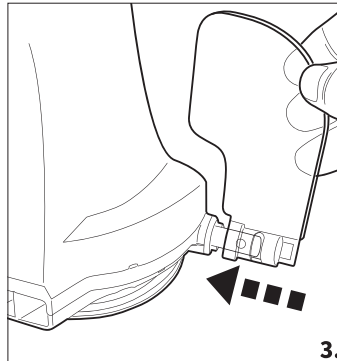
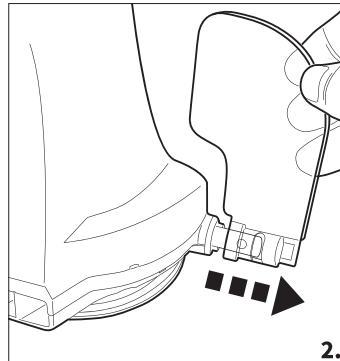
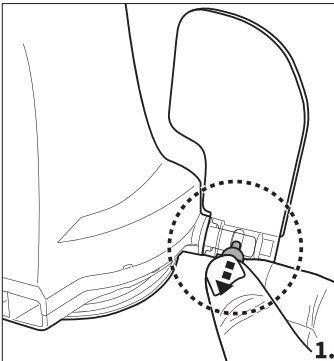


**Remarque :** Si le flotteur est trop loin pour pouvoir le récupérer à la main, utilisez le crochet fourni. Placez le crochet sur le manche télescopique (non inclus) et utilisez le crochet pour récupérer le flotteur.





### Remplacement de l'ailette



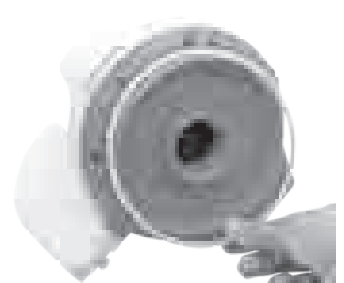
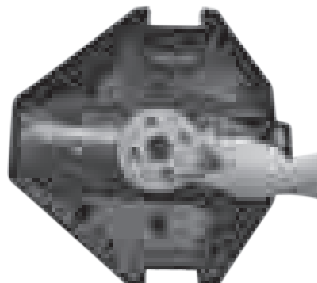
### Entretien et rangement

1. La batterie se recharge d'elle-même pendant le stockage. Assurez-vous de charger complètement le robot avant le stockage.
2. Vous devez recharger la batterie au moins une fois tous les trois mois lorsqu'il n'est pas utilisé.
  - Débranchez l'adaptateur externe de la prise et débranchez ensuite le câble de charge de l'adaptateur externe et du robot.
  - Détachez les accessoires du robot. Si nécessaire, rincez le robot et les accessoires à l'eau douce. NE PAS utiliser de détergent.
  - Assurez-vous de vidanger l'eau du robot avant de le ranger.
  - Utilisez un chiffon humide pour nettoyer et sécher le robot et ses accessoires.
  - Conserver les dans un endroit bien aéré, hors de portée des rayons du soleil, de la chaleur, des sources d'inflammation, des produits chimiques pour piscine et des enfants. La température ambiante de stockage doit être de 10°C-25°C (50°F-77°F). **REMARQUE** : Une température de stockage plus élevée peut réduire la durée de vie de la batterie.

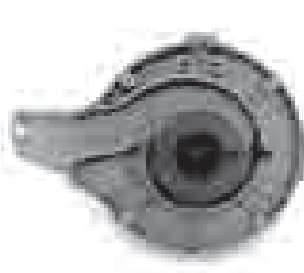
### Comment retirer le bloc batterie

Outils recommandés (non fournis) : Tournevis.

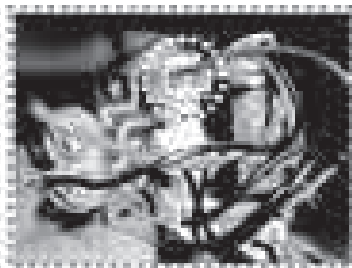
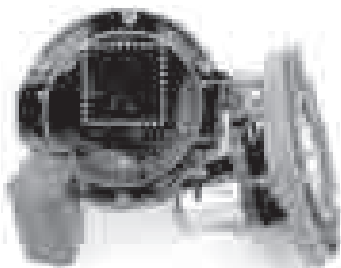
1. Libérez le couvercle supérieur (préassemblé avec la tête pivotante). Retournez le couvercle et libérez la tête pivotante en tournant sa plaque de verrouillage inférieure dans le sens inverse des aiguilles d'une montre. Retirez l'anneau amortisseur du pivot.



2. À l'aide du tournevis, dévissez les 4 vis situées dans la partie inférieure de la tête pour libérer la plaque inférieure en premier. À l'aide du tournevis, dévissez toutes les vis situées sur la base comme indiqué. Retirez le rotor puis forcez sur la base et retirez-la pour exposer la tête à l'intérieur.



3. Retirez le bloc batterie pour exposer l'assemblage de cartes de circuits imprimés. Pour détacher le câble de connexion de la batterie, appuyez sur le clip sur le connecteur et retirez-le. **REMARQUE :** Enroulez immédiatement le connecteur avec du ruban isolant afin d'éviter tout court-circuit dû au contact des deux fils.



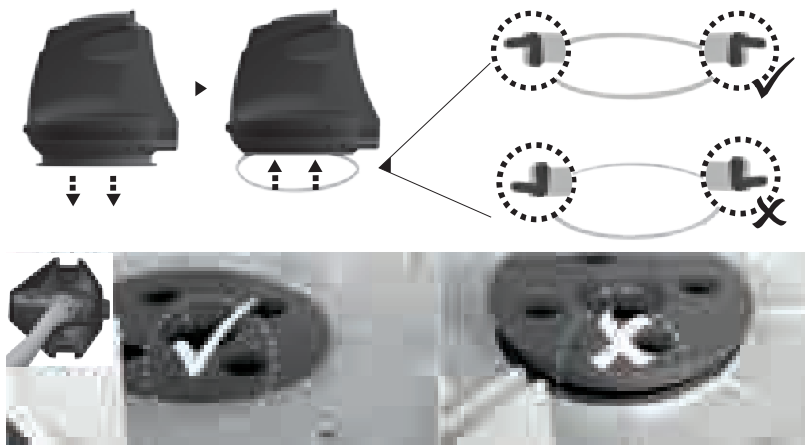
### MISE AU REBUT

Les déchets de produits électriques ne doivent pas être jetés avec les déchets ménagers. Veuillez les recycler dans les structures existantes. Contactez les autorités locales ou votre revendeur pour des conseils en matière de recyclage.

## DÉPANNAGE

Problème	Cause Possible	Solution
Le robot ne récupère pas de débris.	La batterie est presque épuisée	Rechargez à nouveau le robot.
	Le rotor est coincé.	Mettez hors tension le robot et inspectez le trou situé sous la tête pivotante pour voir si le rotor est bloqué par des débris de plus grande taille. Si vous avez besoin d'aide, veuillez visiter la section assistance de notre site web, <a href="http://www.bestwaycorp.com">www.bestwaycorp.com</a> . <b>ATTENTION !</b> Assurez-vous que le robot est éteint lorsque l'unité est en maintenance.
	La bouche d'aspiration est obstruée	Ôtez les objets qui obstruent la bouche d'aspiration.
	Le rotor est cassé	Si vous avez besoin d'aide, veuillez visiter la section assistance de notre site web, <a href="http://www.bestwaycorp.com">www.bestwaycorp.com</a> .
	Le compartiment à débris est plein	Nettoyez le compartiment à débris et le couvercle du filtre.
Le robot s'est arrêté de bouger au milieu de la piscine, mais la tête pivotante continue de tourner	Le robot a été arrêté par un obstacle ou de grands plis au niveau de la bêche de la piscine	Vérifiez si quelque chose obstrue le nettoyeur. Retirez l'obstacle.
	Le robot est arrêté par l'aspiration provenant de la vidange principale du sol de la piscine	Éteignez le système de filtration comme cela est indiqué dans le manuel.
La tête pivotante ne cesse de tourner	De l'air est emprisonné à l'intérieur du robot	La tête pivotante peut tourner incessamment pendant quelques minutes lorsque le robot plonge jusqu'au fond de la piscine. Ce phénomène s'arrêtera dès que l'air capturé à l'intérieur du robot sera progressivement libéré et le robot commencera alors à se déplacer normalement.
Le robot ne couvre pas l'ensemble de la piscine	Le compartiment à débris est plein	Nettoyez le compartiment à débris
	La durée de fonctionnement est plus courte que prévu	Nettoyez le compartiment du filtre et rechargez le robot pendant 6 heures
	Le sens de déplacement est interrompu par la circulation d'eau générée par le système de filtration	Éteignez le système de filtration (comme cela est indiqué dans le manuel de filtration) au moins 15 minutes avant de mettre en marche le robot.
	La roue est bloquée	Vérifiez et éliminez les débris de la roue.
	La position de la goupille de verrouillage n'est pas correcte.	Suivez les instructions pour ajuster la position de la goupille de verrouillage.
	Les algues rendent le sol de la piscine glissant, ce qui porte le robot à tourner en cercle	Frottez le fond de la piscine et les roues du robot pour éliminer les algues
Le robot se déplace le long de la paroi de la piscine	La goupille de verrouillage n'est pas correcte / l'orientation du robot n'est pas la bonne au début	Suivez les instructions pour ajuster le paramètre de la goupille de verrouillage. Assurez-vous que le devant/l'arrière du robot se trouve face à la paroi de la piscine au début.
Le robot se déplace lentement ou ne se déplace pas du tout	Le compartiment à débris est plein ou le couvercle du filtre est obstrué	Nettoyez le compartiment à débris. Rincez la grille à l'eau pour éliminer les petites particules. S'il est nécessaire de procéder à un brossage, utilisez une brosse douce pour la nettoyer délicatement. <b>Remarque :</b> vérifiez que le couvercle du filtre est à sa place avant l'opération suivante
	La bouche d'aspiration est obstruée	Ôtez les objets qui obstruent la bouche d'aspiration
	Le rotor est coincé	Mettez hors tension le robot et inspectez le trou situé sous la tête pivotante pour voir si le rotor est bloqué par des débris de plus grande taille. Si vous avez besoin d'aide, veuillez visiter la section assistance de notre site web, <a href="http://www.bestwaycorp.com">www.bestwaycorp.com</a> . <b>ATTENTION !</b> Assurez-vous que le robot est éteint lorsque l'unité est en maintenance.



La tête pivotante ne tourne pas ou tourne lentement de manière notable	L'ailette latérale ne remonte pas	Vérifiez et éliminez tout débris qui empêche le mouvement de l'ailette.
	La partie inférieure de la tête pivotante est bloquée	Détachez la tête pivotante et l'anneau amortisseur conformément aux instructions du paragraphe « Comment retirer le bloc batterie » dans le manuel, puis : - Ôtez les débris coincés - Vérifiez que l'anneau amortisseur et la plaque du fond sont installés correctement (reportez-vous aux schémas ci-dessous) - Examinez l'anneau amortisseur pour voir s'il est abîmé ou usé. Remplacez-le par un neuf si nécessaire
		
Des débris s'échappent du robot	Le clapet de la bouche d'aspiration (sur la partie inférieure du robot) est endommagé	Le clapet de la bouche d'aspiration fonctionne comme une porte pour empêcher que les débris ne s'échappent du compartiment à débris. Si vous avez besoin d'aide, veuillez visiter la section assistance de notre site web, <a href="http://www.bestwaycorp.com">www.bestwaycorp.com</a> .
	Débris obstruant la bouche d'aspiration et empêchant la fermeture du clapet	Ôtez les débris qui obstruent la bouche d'aspiration.
Des débris s'échappent au niveau du couvercle du filtre	Le filet du couvercle du filtre est endommagé	Remplacez-le par un autre couvercle de filtre. Si vous avez besoin d'aide, veuillez visiter la section assistance de notre site web, <a href="http://www.bestwaycorp.com">www.bestwaycorp.com</a> .
Le flotteur rond coule	Le flotteur est cassé et de l'eau s'y introduit	Remplacez-le par un nouveau flotteur. Si vous avez besoin d'aide, veuillez visiter la section assistance de notre site web, <a href="http://www.bestwaycorp.com">www.bestwaycorp.com</a> .
Le fonctionnement du robot dure moins longtemps que ce qui est indiqué	La batterie n'est pas entièrement chargée	Rechargez le robot pendant au moins 6 heures.
Le robot ne parvient pas être chargé / rechargé	La batterie est endommagée	Si vous avez besoin d'aide, veuillez visiter la section assistance de notre site web, <a href="http://www.bestwaycorp.com">www.bestwaycorp.com</a> . <b>ATTENTION ! NE REMPLACEZ la batterie par vous-même. Cela pourrait entraîner des blessures graves voire mortelles et cela aurait pour conséquence l'annulation de la garantie.</b>
	La station de charge n'est pas totalement raccordée à l'adaptateur externe et au robot	Assurez-vous que la base de charge est branchée avec l'adaptateur externe et le robot de manière correcte et complète. Reportez-vous au manuel d'instructions.
	L'adaptateur externe est hors d'usage	Si vous avez besoin d'aide, veuillez visiter la section assistance de notre site web, <a href="http://www.bestwaycorp.com">www.bestwaycorp.com</a> . <b>ATTENTION ! Si vous utilisez le mauvais adaptateur externe, cela aura pour conséquence une détérioration du robot/de la batterie et une annulation de la garantie.</b>



CONSIGNE POUVANT VARIER LOCALEMENT > [WWW.CONSIGNEDETRELF.R](http://WWW.CONSIGNEDETRELF.R)



## ΕΓΧΕΙΡΙΔΙΟ ΧΡΗΣΤΗ

ΕΠΙΣΚΕΦΤΕΙΤΕ ΤΟ ΚΑΝΑΛΙ ΤΗΣ Bestway ΣΤΟ YouTube

### ΣΗΜΑΝΤΙΚΕΣ ΟΔΗΓΙΕΣ ΑΣΦΑΛΕΙΑΣ

ΠΑΡΑΚΑΛΟΥΜΕ ΔΙΑΒΑΣΤΕ ΠΡΟΣΕΚΤΙΚΑ ΤΙΣ ΑΚΟΛΟΥΘΕΣ ΟΔΗΓΙΕΣ ΚΑΙ ΠΡΟΕΙΔΟΠΟΙΗΣΕΙΣ ΑΣΦΑΛΕΙΑΣ ΠΡΙΝ ΧΡΗΣΙΜΟΠΟΙΗΣΕΤΕ ΤΗ ΣΥΣΚΕΥΗ ΚΑΙ ΦΥΛΑΞΤΕ ΤΙΣ ΓΙΑ ΜΕΛΛΟΝΤΙΚΗ ΑΝΑΦΟΡΑ

- ΔΕΝ ΕΙΝΑΙ ΠΑΙΧΝΙΔΙ! ΚΡΑΤΗΣΤΕ ΤΑ ΠΑΙΔΙΑ ΜΑΚΡΙΑ ΑΠΟ ΑΥΤΟ ΤΟ ΡΟΜΠΟΤ ΚΑΙ ΤΑ ΕΞΑΡΤΗΜΑΤΑ ΤΟΥ.
- ΠΟΤΕ ΜΗΝ ΕΠΙΤΡΕΠΕΤΕ ΣΕ ΠΑΙΔΙΑ ΝΑ ΧΡΗΣΙΜΟΠΟΙΟΥΝ ΑΥΤΟ ΤΟ ΠΡΟΪΟΝ.
- ΑΥΤΟ ΤΟ ΡΟΜΠΟΤ ΔΕΝ ΠΡΟΟΡΙΖΕΤΑΙ ΓΙΑ ΧΡΗΣΗ ΑΠΟ ΚΑΠΟΙΟ ΑΤΟΜΟ ΜΕ ΜΕΙΩΜΕΝΕΣ ΣΩΜΑΤΙΚΕΣ, ΑΙΣΘΗΤΙΚΕΣ Ή ΝΟΗΤΙΚΕΣ ΙΚΑΝΟΤΗΤΕΣ Ή ΜΕ ΕΛΛΕΙΨΗ ΕΜΠΕΙΡΙΑΣ ΚΑΙ ΓΝΩΣΗΣ, ΕΚΤΟΣ ΕΑΝ ΤΟΥΣ ΕΧΕΙ ΠΑΡΑΣΧΕΘΕΙ ΚΑΘΟΔΗΓΗΣΗ ΣΧΕΤΙΚΑ ΜΕ ΤΗ ΧΡΗΣΗ ΤΗΣ ΣΥΣΚΕΥΗΣ ΚΑΙ ΒΡΙΣΚΟΝΤΑΙ ΥΠΟ ΕΠΙΤΗΡΗΣΗ ΑΠΟ ΑΤΟΜΟ ΥΠΕΥΘΥΝΟ ΓΙΑ ΤΗΝ ΑΣΦΑΛΕΙΑ ΤΟΥΣ.
- ΒΕΒΑΙΩΘΕΙΤΕ ΟΤΙ ΤΟ ΡΟΜΠΟΤ ΕΙΝΑΙ ΠΛΗΡΩΣ ΒΥΘΙΣΜΕΝΟ ΜΕΣΑ ΣΤΟ ΝΕΡΟ ΠΡΙΝ ΑΠΟ ΤΗΝ ΕΝΑΡΞΗ ΛΕΙΤΟΥΡΓΙΑΣ ΤΟΥ. Η ΕΛΑΧΙΣΤΗ ΣΤΑΘΜΗ ΝΕΡΟΥ ΠΟΥ ΑΠΑΙΤΕΙΤΑΙ ΓΙΑ ΤΗΝ ΛΕΙΤΟΥΡΓΙΑ ΤΟΥ ΡΟΜΠΟΤ ΠΡΕΠΕΙ ΝΑ ΕΙΝΑΙ ΕΠΑΝΩ ΑΠΟ ΤΗΝ ΠΕΡΙΣΤΡΕΦΟΜΕΝΗ ΚΕΦΑΛΗ ΤΟΥ ΡΟΜΠΟΤ. Η ΛΕΙΤΟΥΡΓΙΑ ΤΟΥ ΡΟΜΠΟΤ ΟΤΑΝ ΔΕΝ ΒΥΘΙΖΕΤΑΙ ΣΩΣΤΑ ΜΕΣΑ ΣΤΟ ΝΕΡΟ ΜΠΟΡΕΙ ΝΑ ΠΡΟΚΑΛΕΣΕΙ ΖΗΜΙΑ ΣΤΗ ΜΟΝΑΔΑ ΚΑΙ ΝΑ ΑΚΥΡΩΣΕΙ ΤΗΝ ΕΓΓΥΗΣΗ.
- ΤΟ ΜΕΓΙΣΤΟ ΒΑΘΟΣ ΛΕΙΤΟΥΡΓΙΑΣ ΣΤΟ ΝΕΡΟ ΕΙΝΑΙ ΤΑ 3 ΜΕΤΡΑ (10 ΠΟΔΙΑ).
- ΛΕΙΤΟΥΡΓΙΚΗ ΘΕΡΜΟΚΡΑΣΙΑ ΝΕΡΟΥ: 5°C (41°F) - 35°C (95°F).
- ΝΑ ΧΡΗΣΙΜΟΠΟΙΕΙΤΕ ΜΟΝΟ ΤΗΝ ΑΠΟΣΠΩΜΕΝΗ ΜΟΝΑΔΑ ΤΡΟΦΟΔΟΣΙΑΣ (ΕΞΩΤΕΡΙΚΟ ΠΡΟΣΑΡΜΟΓΕΑ), ΠΟΥ ΠΑΡΕΧΕΤΑΙ ΜΕ ΑΥΤΟ ΤΟ ΡΟΜΠΟΤ, ΓΙΑ ΝΑ ΦΟΡΤΙΣΕΤΕ ΤΗΝ ΜΠΑΤΑΡΙΑ.
- ΑΠΟΣΠΩΜΕΝΗ ΜΟΝΑΔΑ ΤΡΟΦΟΔΟΣΙΑΣ (ΕΞΩΤΕΡΙΚΟΣ ΠΡΟΣΑΡΜΟΓΕΑΣ).
- ΓΙΑ ΤΟΥΣ ΣΚΟΠΟΥΣ ΕΠΑΝΑΦΟΡΤΙΣΗΣ ΤΗΣ ΜΠΑΤΑΡΙΑΣ, ΝΑ ΧΡΗΣΙΜΟΠΟΙΕΙΤΕ ΜΟΝΟ ΤΗΝ ΑΠΟΣΠΩΜΕΝΗ ΜΟΝΑΔΑ ΤΡΟΦΟΔΟΣΙΑΣ (ΕΞΩΤΕΡΙΚΟ ΠΡΟΣΑΡΜΟΓΕΑ: DSS18-0842000-B / DSS18-0842000-C) ΚΑΙ ΒΑΣΗ ΦΟΡΤΙΣΗΣ, ΠΟΥ ΠΑΡΕΧΕΤΑΙ ΜΕ ΑΥΤΟ ΤΟ ΡΟΜΠΟΤ, ΓΙΑ ΝΑ ΦΟΡΤΙΣΕΤΕ ΤΗΝ ΜΠΑΤΑΡΙΑ.
- **ΠΡΟΕΙΔΟΠΟΙΗΣΗ** - Η ΣΥΣΚΕΥΗ ΜΠΟΡΕΙ ΝΑ ΧΡΗΣΙΜΟΠΟΙΗΘΕΙ ΑΠΟ ΠΑΙΔΙΑ ΗΛΙΚΙΑΣ 8 ΕΤΩΝ ΚΑΙ ΑΝΩ ΚΑΙ ΑΠΟ ΑΤΟΜΑ ΜΕ ΜΕΙΩΜΕΝΕΣ ΣΩΜΑΤΙΚΕΣ, ΑΙΣΘΗΤΗΡΙΑΚΕΣ Ή ΝΟΗΤΙΚΕΣ ΔΥΝΑΤΟΤΗΤΕΣ Ή ΠΟΥ ΔΕΝ ΔΙΑΘΕΤΟΥΝ ΕΜΠΕΙΡΙΑ ΚΑΙ ΓΝΩΣΗ, ΥΠΟ ΕΠΙΒΛΕΨΗ Ή ΕΦΟΣΟΝ ΤΟΥΣ ΠΑΡΑΣΧΕΘΟΥΝ ΟΙ ΣΧΕΤΙΚΕΣ ΟΔΗΓΙΕΣ ΓΙΑ ΤΗ ΧΡΗΣΗ ΤΗΣ ΣΥΣΚΕΥΗΣ ΜΕ ΑΣΦΑΛΗ ΤΡΟΠΟ ΚΑΙ ΕΧΟΥΝ ΚΑΤΑΝΟΗΣΗ ΤΟΥΣ ΚΙΝΔΥΝΟΥΣ ΠΟΥ ΔΗΜΙΟΥΡΓΟΥΝΤΑΙ Ή ΠΟΥ ΥΠΑΡΧΟΥΝ. ΤΑ ΠΑΙΔΙΑ ΔΕΝ ΠΡΕΠΕΙ ΝΑ ΠΑΙΖΟΥΝ ΜΕ ΤΗ ΣΥΣΚΕΥΗ. Ο ΚΑΘΑΡΙΣΜΟΣ ΚΑΙ Η ΣΥΝΤΗΡΗΣΗ ΔΕΝ ΠΡΕΠΕΙ ΝΑ ΠΡΑΓΜΑΤΟΠΟΙΕΙΤΑΙ ΑΠΟ ΠΑΙΔΙΑ ΧΩΡΙΣ ΕΠΙΤΗΡΗΣΗ. (ΓΙΑ ΤΙΣ ΧΩΡΕΣ ΤΗΣ ΕΕ)
- **ΠΡΟΕΙΔΟΠΟΙΗΣΗ** - Η ΣΥΣΚΕΥΗ ΑΥΤΗ ΔΕΝ ΠΡΟΟΡΙΖΕΤΑΙ ΓΙΑ ΧΡΗΣΗ ΑΠΟ ΑΤΟΜΑ (ΣΥΜΠΕΡΙΛΑΜΒΑΝΟΜΕΝΩΝ ΚΑΙ ΠΑΙΔΙΩΝ) ΜΕ ΜΕΙΩΜΕΝΕΣ ΣΩΜΑΤΙΚΕΣ, ΑΙΣΘΗΤΙΚΕΣ Ή ΝΟΗΤΙΚΕΣ ΙΚΑΝΟΤΗΤΕΣ Ή ΕΛΛΕΙΨΗ

- ΕΜΠΕΙΡΙΑΣ ΚΑΙ ΓΝΩΣΗΣ, ΕΚΤΟΣ ΕΑΝ ΒΡΙΣΚΟΝΤΑΙ ΥΠΟ ΕΠΙΤΗΡΗΣΗ Ή ΤΟΥΣ ΕΧΕΙ ΠΑΡΑΣΧΕΘΕΙ ΚΑΘΟΔΗΓΗΣΗ ΣΧΕΤΙΚΑ ΜΕ ΤΗ ΧΡΗΣΗ ΤΗΣ ΣΥΣΚΕΥΗΣ ΑΠΟ ΑΤΟΜΟ ΥΠΕΥΘΥΝΟ ΓΙΑ ΤΗΝ ΑΣΦΑΛΕΙΑ ΤΟΥΣ. ΤΑ ΠΑΙΔΙΑ ΘΑ ΠΡΕΠΕΙ ΝΑ ΕΠΙΤΗΡΟΥΝΤΑΙ ΩΣΤΕ ΝΑ ΕΞΑΣΦΑΛΙΣΤΕΙ ΟΤΙ ΔΕΝ ΠΑΙΖΟΥΝ ΜΕ ΑΥΤΗ ΤΗ ΣΥΣΚΕΥΗ. (ΓΙΑ ΤΙΣ ΧΩΡΕΣ ΕΚΤΟΣ ΤΗΣ ΕΕ)
- ΣΥΝΔΕΣΤΕ ΤΟΝ ΕΞΩΤΕΡΙΚΟ ΠΡΟΣΑΡΜΟΓΕΑ ΣΕ ΜΙΑ ΠΗΓΗ (ΠΡΙΖΑ) ΤΡΟΦΟΔΟΣΙΑΣ (RCD) / ΜΕΣΩ ΕΝΟΣ ΑΥΤΟΜΑΤΟΥ ΔΙΑΚΟΠΤΗ ΡΟΗΣ ΗΛΕΚΤΡΙΚΟΥ ΡΕΥΜΑΤΟΣ (GFCI). ΣΕ ΠΕΡΙΠΤΩΣΗ ΑΜΦΙΒΟΛΙΑΣ, ΣΥΜΒΟΥΛΕΥΤΕΙΤΕ ΕΝΑΝ ΕΞΕΙΔΙΚΕΥΜΕΝΟ, ΕΠΑΓΓΕΛΜΑΤΙΑ ΗΛΕΚΤΡΟΛΟΓΟ.
- ΜΗΝ ΧΡΗΣΙΜΟΠΟΙΕΙΤΕ ΑΥΤΟ ΤΟ ΡΟΜΠΟΤ ΕΑΝ ΕΧΕΙ ΕΝΤΟΠΙΣΤΕΙ ΚΑΠΟΙΑ ΖΗΜΙΑ.
- ΑΝΤΙΚΑΤΑΣΤΗΣΤΕ ΤΑ ΚΑΤΕΣΤΡΑΜΜΕΝΑ ΕΞΑΡΤΗΜΑΤΑ ΤΟ ΔΥΝΑΤΟΝ ΣΥΝΤΟΜΟΤΕΡΑ. ΝΑ ΧΡΗΣΙΜΟΠΟΙΕΙΤΕ ΜΟΝΟ ΕΞΑΡΤΗΜΑΤΑ ΠΙΣΤΟΠΟΙΗΜΕΝΑ ΑΠΟ ΤΟΝ ΑΝΤΙΠΡΟΣΩΠΟ ΔΙΑΝΟΜΕΑ Ή ΑΠΟ ΤΟΝ ΚΑΤΑΣΚΕΥΑΣΤΗ.
- ΑΠΕΝΕΡΓΟΠΟΙΗΣΤΕ ΤΟ ΡΟΜΠΟΤ, ΑΠΟΣΥΝΔΕΣΤΕ ΤΟΝ ΕΞΩΤΕΡΙΚΟ ΠΡΟΣΑΡΜΟΓΕΑ ΑΠΟ ΤΗΝ ΠΗΓΗ ΤΡΟΦΟΔΟΣΙΑΣ, ΚΑΙ ΑΦΑΙΡΕΣΤΕ ΤΕΛΕΙΩΣ ΤΟΝ ΕΞΩΤΕΡΙΚΟ ΠΡΟΣΑΡΜΟΓΕΑ ΑΠΟ ΤΗ ΒΑΣΗ ΦΟΡΤΙΣΗΣ, ΠΡΙΝ ΑΠΟΣΥΝΔΕΣΤΕ ΤΟ ΡΟΜΠΟΤ ΑΠΟ ΤΗ ΒΑΣΗ ΦΟΡΤΙΣΗΣ.
- ΑΠΟΣΥΝΔΕΣΤΕ ΤΗΝ ΑΝΤΛΙΑ ΑΠΟ ΤΗΝ ΠΑΡΟΧΗ ΤΟΥ ΡΕΥΜΑΤΟΣ ΠΡΙΝ ΑΠΟ ΤΗΝ ΟΠΟΙΑ ΣΥΝΤΗΡΗΣΗ ΤΟΥ ΧΡΗΣΤΗ, ΟΠΩΣ Ο ΚΑΘΑΡΙΣΜΟΣ ΤΟΥ ΦΙΛΤΡΟΥ.
- Η ΜΠΑΤΑΡΙΑ ΕΙΝΑΙ ΜΙΑ ΕΠΑΝΑΦΟΡΤΙΖΟΜΕΝΗ ΜΠΑΤΑΡΙΑ ΙΟΝΤΩΝ-ΛΙΘΙΟΥ. ΠΟΤΕ ΜΗΝ ΕΠΙΧΕΙΡΗΣΤΕ ΝΑ ΑΝΤΙΚΑΤΑΣΤΗΣΤΕ ΑΥΤΟ ΤΟ ΠΡΟΪΟΝ.
- ΤΟ ΡΟΜΠΟΤ ΜΠΟΡΕΙ ΝΑ ΕΠΑΝΑΦΟΡΤΙΣΤΕΙ ΜΟΝΟ ΜΕ ΤΟΝ ΕΞΩΤΕΡΙΚΟ ΠΡΟΣΑΡΜΟΓΕΑ ΚΑΙ ΤΗ ΒΑΣΗ ΦΟΡΤΙΣΗΣ ΠΟΥ ΠΑΡΕΧΕΤΑΙ ΜΑΖΙ ΜΕ ΑΥΤΟ ΤΟ ΠΡΟΪΟΝ.
- ΜΗΝ ΧΕΙΡΙΖΕΣΤΕ ΤΟ ΡΟΜΠΟΤ, ΤΟΝ ΕΞΩΤΕΡΙΚΟ ΠΡΟΣΑΡΜΟΓΕΑ ΚΑΙ ΤΗ ΒΑΣΗ ΦΟΡΤΙΣΗΣ ΜΕ ΓΥΜΝΑ ΒΡΕΓΜΕΝΑ ΑΚΡΑ ΚΑΙ ΧΩΡΙΣ ΠΑΠΟΥΤΣΙΑ ΚΑΘ'ΟΝ ΧΡΟΝΟ ΑΥΤΗ ΦΟΡΤΙΖΕΤΑΙ.
- ΔΕΝ ΘΑ ΠΡΕΠΕΙ ΝΑ ΧΡΗΣΙΜΟΠΟΙΕΙΤΕ ΑΥΤΟ ΤΟ ΡΟΜΠΟΤ ΟΤΑΝ ΜΕΣΑ ΣΤΟ ΝΕΡΟ ΥΠΑΡΧΟΥΝ ΑΝΘΡΩΠΟΙ / ΚΑΤΟΙΚΙΔΙΑ ΖΩΑ.
- ΜΗΝ ΧΡΗΣΙΜΟΠΟΙΕΙΤΑΙ ΑΥΤΟ ΤΟ ΡΟΜΠΟΤ ΧΩΡΙΣ ΝΑ ΕΙΝΑΙ ΣΤΗΝ ΘΕΣΗ ΤΟΥ, ΓΙΑΤΙ ΑΥΤΟ ΘΑ ΕΧΕΙ ΩΣ ΑΠΟΤΕΛΕΣΜΑ ΝΑ ΑΚΥΡΩΘΕΙ Η ΕΓΓΥΗΣΗ.
- ΚΙΝΔΥΝΟΣ ΠΑΓΙΔΕΥΣΗΣ ΛΟΓΩ ΑΝΑΡΡΟΦΗΣΗΣ: ΑΥΤΟ ΤΟ ΡΟΜΠΟΤ ΔΗΜΙΟΥΡΓΕΙ ΑΝΑΡΡΟΦΗΣΗ. ΜΗΝ ΑΦΗΝΕΤΕ ΤΑ ΜΑΛΛΙΑ ΣΑΣ, ΤΟ ΣΩΜΑ ΣΑΣ ΕΝ ΓΕΝΕΙ, ΚΑΙ ΤΥΧΟΝ ΧΑΛΑΡΑ ΚΑΙ ΕΛΕΥΘΕΡΑ ΜΕΡΗ ΤΟΥ ΡΟΥΧΙΣΜΟΥ ΣΑΣ ΝΑ ΒΡΙΣΚΟΝΤΑΙ ΣΤΟ ΠΕΔΙΟ ΑΝΑΡΡΟΦΗΣΗΣ ΤΟΥ ΡΟΜΠΟΤ ΚΑΤΑ ΤΗ ΔΙΑΡΚΕΙΑ ΤΗΣ ΛΕΙΤΟΥΡΓΙΑΣ ΤΟΥ.
- ΜΗΝ ΑΚΟΥΜΠΑΤΕ ΠΟΤΕ ΜΕΡΗ ΤΟΥ ΣΩΜΑΤΟΣ ΣΑΣ ΚΑΙ ΜΗΝ ΕΙΣΑΓΕΤΕ ΡΟΥΧΑ ΚΑΙ ΑΛΛΑ ΑΝΤΙΚΕΙΜΕΝΑ ΜΕΣΑ ΣΤΑ ΑΝΟΙΓΜΑΤΑ ΚΑΙ ΤΑ ΚΙΝΟΥΜΕΝΑ ΜΕΡΗ ΤΟΥ ΡΟΜΠΟΤ.
- ΜΗΝ ΧΡΗΣΙΜΟΠΟΙΕΙΤΕ ΑΥΤΟ ΤΟ ΡΟΜΠΟΤ ΓΙΑ ΝΑ ΜΑΖΕΨΕΤΕ ΤΟΞΙΚΕΣ ΟΥΣΙΕΣ, ΕΥΦΛΕΚΤΑ ΚΑΙ ΚΑΥΣΙΜΑ ΥΓΡΑ ΟΠΩΣ ΒΕΝΖΙΝΗ, ΚΑΙ ΟΤΑΝ ΥΠΑΡΧΕΙ ΠΑΡΟΥΣΙΑ ΕΚΡΗΚΤΙΚΩΝ Ή ΕΥΦΛΕΚΤΩΝ ΑΝΑΘΥΜΙΑΣΕΩΝ.
- ΔΕΝ ΠΡΕΠΕΙ ΣΕ ΚΑΜΙΑ ΠΕΡΙΠΤΩΣΗ ΝΑ ΑΠΟΣΥΝΑΡΜΟΛΟΓΗΣΕΤΕ ΤΟ ΡΟΜΠΟΤ ΚΑΙ ΝΑ ΑΝΤΙΚΑΤΑΣΤΗΣΤΕ ΜΟΝΟΙ ΣΑΣ ΤΗΝ ΦΤΕΡΩΤΗ, ΤΟΝ ΚΙΝΗΤΗΡΑ ΚΑΙ ΤΗΝ ΜΠΑΤΑΡΙΑ.
- ΠΟΤΕ ΜΗΝ ΑΦΗΝΕΤΕ ΤΑ ΔΑΧΤΥΛΑ ΣΑΣ ΚΑΙ ΟΠΟΙΟΔΗΠΟΤΕ ΑΛΛΟ ΑΝΤΙΚΕΙΜΕΝΟ ΝΑ ΑΓΓΙΞΕΙ ΤΗΝ ΦΤΕΡΩΤΗ.
- ΑΥΤΟ ΤΟ ΡΟΜΠΟΤ ΔΕΝ ΠΡΕΠΕΙ ΝΑ ΧΡΗΣΙΜΟΠΟΙΕΙΤΑΙ ΑΠΟ ΠΑΙΔΙΑ.
- Η ΜΠΑΤΑΡΙΑ ΠΡΕΠΕΙ ΝΑ ΑΦΑΙΡΕΘΕΙ ΑΠΟ ΤΟ ΡΟΜΠΟΤ ΠΡΙΝ ΤΟ ΚΑΤΑΡΓΗΣΕΤΕ.
- ΑΥΤΟ ΤΟ ΡΟΜΠΟΤ ΠΕΡΙΕΧΕΙ ΜΙΑ ΜΠΑΤΑΡΙΑ ΠΟΥ ΠΡΕΠΕΙ ΝΑ ΑΦΑΙΡΕΙΤΑΙ ΜΟΝΟ ΑΠΟ ΕΞΕΙΔΙΚΕΥΜΕΝΑ ΑΤΟΜΑ.
- ΤΟ ΡΟΜΠΟΤ ΠΡΕΠΕΙ ΝΑ ΑΠΟΣΥΝΔΕΘΕΙ ΑΠΟ ΤΟ ΔΙΚΤΥΟ ΠΑΡΟΧΗΣ ΗΛΕΚΤΡΙΚΟΥ ΡΕΥΜΑΤΟΣ ΟΤΑΝ ΕΙΝΑΙ ΝΑ ΑΦΑΙΡΕΘΕΙ Η ΜΠΑΤΑΡΙΑ.
- ΓΙΑ ΛΕΠΤΟΜΕΡΕΙΕΣ ΣΧΕΤΙΚΑ ΜΕ ΤΗΝ ΑΠΟΡΡΙΨΗ ΜΠΑΤΑΡΙΑΣ, ΑΝΑΤΡΕΨΤΕ ΣΤΗΝ ΕΝΟΤΗΤΑ "ΑΠΟΡΡΙΨΗ ΜΠΑΤΑΡΙΑΣ" ΣΕ ΑΥΤΟ ΤΟ ΕΓΧΕΙΡΙΔΙΟ.
- Η ΜΠΑΤΑΡΙΑ ΠΡΕΠΕΙ ΝΑ ΑΠΟΡΡΙΠΤΕΤΑΙ ΜΕ ΑΣΦΑΛΕΙΑ ΚΑΙ ΣΥΜΦΩΝΑ ΜΕ ΤΙΣ ΣΧΕΤΙΚΕΣ ΤΟΠΙΚΕΣ ΔΙΑΤΑΞΕΙΣ ΚΑΙ ΚΑΝΟΝΙΣΜΟΥΣ.

- ΤΟ ΡΟΜΠΟΤ ΠΕΡΙΕΧΕΙ ΜΙΑ ΕΠΑΝΑΦΟΡΤΙΖΟΜΕΝΗ ΜΠΑΤΑΡΙΑ ΙΟΝΤΩΝ-ΛΙΘΙΟΥ ΧΩΡΙΣ ΑΝΑΓΚΗ ΣΥΝΤΗΡΗΣΗΣ, Η ΟΠΟΙΑ ΠΡΕΠΕΙ ΝΑ ΤΟΠΟΘΕΤΗΘΕΙ ΣΩΣΤΑ. ΑΠΑΙΤΕΙΤΑΙ ΑΝΑΚΥΚΛΩΣΗ - ΠΑΡΑΚΑΛΟΥΜΕ ΕΠΙΚΟΙΝΩΝΗΣΤΕ ΜΕ ΤΙΣ ΤΟΠΙΚΕΣ ΑΡΧΕΣ ΓΙΑ ΠΛΗΡΟΦΟΡΙΕΣ.
- ΕΞΩΤΕΡΙΚΟΣ ΠΡΟΣΑΡΜΟΓΕΑΣ ΚΑΙ ΒΑΣΗ ΦΟΡΤΙΣΗΣ:
  - ΠΟΤΕ ΜΗΝ ΧΡΗΣΙΜΟΠΟΙΕΙΤΕ ΤΟΝ ΕΞΩΤΕΡΙΚΟ ΠΡΟΣΑΡΜΟΓΕΑ ΚΑΙ ΤΗ ΒΑΣΗ ΦΟΡΤΙΣΗΣ ΓΙΑ ΟΤΙΔΗΠΟΤΕ ΑΛΛΟ ΕΚΤΟΣ ΑΠΟ ΤΗ ΦΟΡΤΙΣΗ ΤΗΣ ΜΠΑΤΑΡΙΑΣ ΤΟΥ ΡΟΜΠΟΤ ΠΟΥ ΠΑΡΕΧΕΤΑΙ ΜΕ ΤΗΝ ΙΔΙΑ ΣΥΣΚΕΥΑΣΙΑ.
  - Ο ΕΞΩΤΕΡΙΚΟΣ ΠΡΟΣΑΡΜΟΓΕΑΣ ΚΑΙ Η ΒΑΣΗ ΦΟΡΤΙΣΗΣ ΔΕΝ ΠΡΕΠΕΙ ΝΑ ΧΡΗΣΙΜΟΠΟΙΟΥΝΤΑΙ ΣΕ ΕΞΩΤΕΡΙΚΟΥΣ ΧΩΡΟΥΣ, ΟΥΤΕ ΝΑ ΕΚΤΙΘΕΝΤΑΙ ΣΕ ΒΡΟΧΗ, ΥΓΡΑΣΙΑ, ΟΠΟΙΟΔΗΠΟΤΕ ΥΓΡΟ Ή ΘΕΡΜΟΤΗΤΑ.
  - Ο ΜΕΤΑΣΧΗΜΑΤΙΣΤΗΣ (Η Ο ΕΞΩΤΕΡΙΚΟΣ ΠΡΟΣΑΡΜΟΓΕΑΣ) ΠΡΕΠΕΙ ΝΑ ΒΡΙΣΚΕΤΑΙ ΕΚΤΟΣ ΤΗΣ ΖΩΝΗΣ 1.
  - ΚΡΑΤΗΣΤΕ ΤΟΝ ΕΞΩΤΕΡΙΚΟ ΠΡΟΣΑΡΜΟΓΕΑΣ ΚΑΙ ΤΗ ΒΑΣΗ ΦΟΡΤΙΣΗΣ ΜΑΚΡΙΑ ΑΠΟ ΤΑ ΠΑΙΔΙΑ.
  - ΠΟΤΕ ΜΗΝ ΧΡΗΣΙΜΟΠΟΙΕΙΤΕ ΤΟΝ ΕΞΩΤΕΡΙΚΟ ΠΡΟΣΑΡΜΟΓΕΑ ΚΑΙ ΤΗ ΒΑΣΗ ΦΟΡΤΙΣΗΣ ΕΑΝ ΒΛΕΠΕΤΕ ΝΑ ΥΠΑΡΧΕΙ Η ΟΠΟΙΟΔΗΠΟΤΕ ΖΗΜΙΑ.
  - ΜΗΝ ΧΕΙΡΙΖΕΣΘΕ ΤΟΝ ΕΞΩΤΕΡΙΚΟ ΠΡΟΣΑΡΜΟΓΕΑ ΚΑΙ ΤΗ ΒΑΣΗ ΦΟΡΤΙΣΗΣ ΜΕ ΒΡΕΓΜΑΝΑ ΧΕΡΙΑ.
  - ΝΑ ΕΧΕΤΕ ΤΟΝ ΕΞΩΤΕΡΙΚΟ ΠΡΟΣΑΡΜΟΓΕΑ ΑΠΟΣΥΝΔΕΔΕΜΕΝΟ ΑΠΟ ΤΗΝ ΠΗΓΗ ΤΡΟΦΟΔΟΣΙΑΣ ΟΤΑΝ ΔΕΝ ΕΙΝΑΙ ΣΕ ΧΡΗΣΗ.
  - ΠΟΤΕ ΜΗΝ ΕΠΙΧΕΙΡΗΣΤΕ ΝΑ ΑΝΟΙΞΕΤΕ ΤΟΝ ΕΞΩΤΕΡΙΚΟ ΠΡΟΣΑΡΜΟΓΕΑ.
  - ΕΑΝ ΤΟ ΚΑΛΩΔΙΟ ΤΡΟΦΟΔΟΣΙΑΣ ΗΛΕΚΤΡΙΚΟΥ ΡΕΥΜΑΤΟΣ ΕΧΕΙ ΥΠΟΣΤΕΙ ΒΛΑΒΗ, ΠΡΕΠΕΙ ΝΑ ΑΝΤΙΚΑΤΑΣΤΑΘΕΙ ΑΜΕΣΩΣ ΑΠΟ ΤΟΝ ΚΑΤΑΣΚΕΥΑΣΤΗ, ΤΟΝ ΕΚΠΡΟΣΩΠΟ ΤΕΧΝΙΚΟ ΤΟΥ ΣΕΡΒΙΣ Ή ΑΠΟ ΣΧΕΤΙΚΑ ΕΞΕΙΔΙΚΕΥΜΕΝΑ ΑΤΟΜΑ, ΩΣΤΕ ΝΑ ΑΠΟΦΕΥΧΘΕΙ Ο ΟΠΟΙΟΣ ΚΙΝΔΥΝΟΣ.
  - ΒΕΒΑΙΩΘΕΙΤΕ ΟΤΙ ΤΟ ΡΟΜΠΟΤ ΕΙΝΑΙ ΕΝΤΕΛΩΣ ΣΤΕΓΝΟ ΠΡΙΝ ΑΠΟ ΤΗ ΦΟΡΤΙΣΗ.

#### ΑΠΟΡΡΙΨΗ ΜΠΑΤΑΡΙΑΣ:

- ΑΠΑΙΤΕΙΤΑΙ ΑΝΑΚΥΚΛΩΣΗ, ΠΑΡΑΚΑΛΟΥΜΕ ΕΠΙΚΟΙΝΩΝΗΣΤΕ ΜΕ ΤΙΣ ΤΟΠΙΚΕΣ ΑΡΧΕΣ ΓΙΑ ΠΛΗΡΟΦΟΡΙΕΣ.
- Η ΜΠΑΤΑΡΙΑ ΠΡΕΠΕΙ ΝΑ ΑΦΑΙΡΕΘΕΙ ΑΠΟ ΤΗΝ ΗΛΕΚΤΡΙΚΗ ΣΚΟΥΠΑ ΠΙΣΙΝΑΣ ΠΡΙΝ ΚΑΤΑΣΤΡΑΦΕΙ.
  - Η ΗΛΕΚΤΡΙΚΗ ΣΚΟΥΠΑ ΠΙΣΙΝΑΣ ΠΡΕΠΕΙ ΝΑ ΑΠΟΣΥΝΔΕΘΕΙ ΑΠΟ ΤΟ ΔΙΚΤΥΟ ΤΡΟΦΟΔΟΣΙΑΣ (ΗΛΕΚΤΡΙΚΗ ΠΡΙΖΑ) ΚΑΤΑ ΤΗΝ ΑΦΑΙΡΕΣΗ ΤΗΣ ΜΠΑΤΑΡΙΑΣ.
  - Η ΜΠΑΤΑΡΙΑ ΠΡΕΠΕΙ ΝΑ ΑΠΟΡΡΙΠΤΕΤΑΙ ΜΕ ΑΣΦΑΛΕΙΑ ΚΑΙ ΣΩΣΤΑ.

#### ΠΡΟΣΟΧΗ!

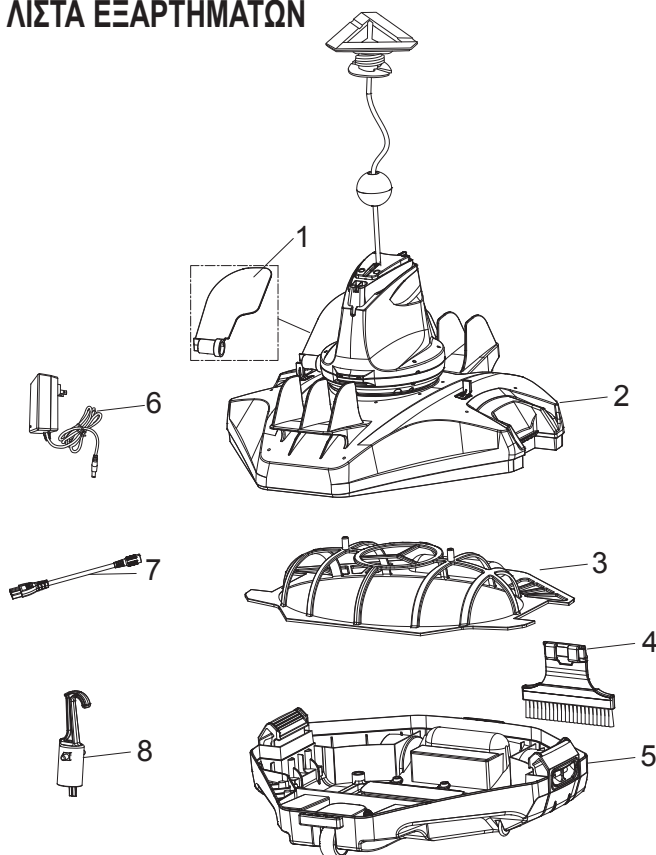
- ΑΥΤΟ ΤΟ ΡΟΜΠΟΤ ΕΧΕΙ ΣΧΕΔΙΑΣΤΕΙ ΜΟΝΟ ΓΙΑ ΥΠΟΒΡΥΧΙΑ ΧΡΗΣΗ. ΔΕΝ ΕΙΝΑΙ ΜΙΑ ΗΛΕΚΤΡΙΚΗ ΣΚΟΥΠΑ ΓΕΝΙΚΗΣ ΧΡΗΣΗΣ. ΜΗΝ ΕΠΙΧΕΙΡΗΣΤΕ ΝΑ ΤΟ ΧΡΗΣΙΜΟΠΟΙΗΣΤΕ ΓΙΑ ΝΑ ΚΑΘΑΡΙΣΤΕ ΟΤΙΔΗΠΟΤΕ ΑΛΛΟ ΕΚΤΟΣ ΑΠΟ ΤΗΝ ΠΙΣΙΝΑ / ΤΟ ΣΠΑ.
- ΝΑ ΧΡΗΣΙΜΟΠΟΙΕΙΤΕ ΜΟΝΟ ΤΑ ΑΥΘΕΝΤΙΚΑ ΕΞΑΡΤΗΜΑΤΑ ΠΟΥ ΣΑΣ ΠΑΡΕΧΟΝΤΑΙ ΜΕ ΑΥΤΟ ΤΟ ΠΡΟΪΟΝ.
- ΜΗΝ ΧΡΗΣΙΜΟΠΟΙΕΙΤΕ ΑΥΤΟ ΤΟ ΡΟΜΠΟΤ ΑΜΕΣΩΣ ΜΕΤΑ ΑΠΟ ΤΗΝ ΧΛΩΡΙΩΣΗ ΤΟΥ ΝΕΡΟΥ ΤΗΣ ΠΙΣΙΝΑΣ. ΣΥΝΙΣΤΑΤΑΙ ΝΑ ΑΦΗΝΕΤΕ ΠΡΩΤΑ ΝΑ ΚΥΚΛΟΦΟΡΗΣΕΙ ΤΟ ΝΕΡΟ ΤΗΣ ΠΙΣΙΝΑΣ ΓΙΑ ΤΟΥΛΑΧΙΣΤΟΝ 24-48 ΩΡΕΣ.
- ΕΑΝ ΣΧΕΔΙΑΖΕΤΕ ΝΑ ΧΡΗΣΙΜΟΠΟΙΗΣΤΕ ΘΑΛΑΣΣΙΝΟ ΝΕΡΟ (ΜΕ ΑΛΑΤΙ) ΣΤΗΝ ΠΙΣΙΝΑ, ΒΕΒΑΙΩΘΕΙΤΕ ΟΤΙ ΟΛΟ ΤΟ ΑΛΑΤΙ ΕΧΕΙ ΔΙΑΛΥΘΕΙ ΕΝΤΕΛΩΣ ΠΡΙΝ ΒΑΛΕΤΕ ΤΟ ΡΟΜΠΟΤ ΜΕΣΑ ΣΤΟ ΝΕΡΟ.
- ΔΕΝ ΣΥΝΙΣΤΑΤΑΙ Η ΤΑΥΤΟΧΡΟΝΗ ΧΡΗΣΗ ΑΥΤΟΥ ΤΟΥ ΡΟΜΠΟΤ ΜΕ ΑΛΛΟΝ ΑΥΤΟΜΑΤΟ ΚΑΘΑΡΙΣΤΗ / ΑΥΤΟΜΑΤΗ ΗΛΕΚΤΡΙΚΗ ΣΚΟΥΠΑ.
- ΑΠΟΦΥΓΕΤΕ ΤΗ ΛΗΨΗ ΣΚΛΗΡΩΝ, ΑΙΧΜΗΡΩΝ ΑΝΤΙΚΕΙΜΕΝΩΝ ΜΕ ΑΥΤΟ ΤΟ ΠΡΟΪΟΝ ΓΙΑΤΙ ΕΝΔΕΧΕΤΑΙ ΝΑ ΠΡΟΚΑΛΕΣΟΥΝ ΖΗΜΙΑ ΣΤΟ ΡΟΜΠΟΤ ΚΑΙ ΣΤΟ ΦΙΛΤΡΟ.
- ΓΙΑ ΝΑ ΑΠΟΦΥΓΕΤΕ ΤΗΝ ΚΑΤΑΣΤΡΟΦΗ ΤΟΥ ΕΞΩΤΕΡΙΚΟΥ ΠΡΟΣΑΡΜΟΓΕΑ ΚΑΙ ΤΗΣ ΒΑΣΗΣ ΦΟΡΤΙΣΗΣ, ΜΗΝ ΕΠΙΧΕΙΡΗΣΤΕ ΝΑ ΜΕΤΑΦΕΡΕΤΕ ΤΟ ΡΟΜΠΟΤ ΠΙΑΝΟΝΤΑΣ ΤΟ ΑΠΟ ΤΟ ΚΑΛΩΔΙΟ ΤΟΥ ΕΞΩΤΕΡΙΚΟΥ ΠΡΟΣΑΡΜΟΓΕΑ

Ή ΝΑ ΤΡΑΒΗΣΕΤΕ ΑΠΟ ΤΟ ΚΑΛΩΔΙΟ ΓΙΑ ΝΑ ΤΟ ΑΠΟΣΥΝΔΕΣΕΤΕ ΑΠΟ ΤΗΝ ΠΗΓΗ ΤΡΟΦΟΔΟΣΙΑΣ ΚΑΙ ΤΗ ΒΑΣΗ ΦΟΡΤΙΣΗΣ.

- ΦΟΡΤΙΣΤΕ ΤΟ ΡΟΜΠΟΤ ΣΕ ΕΞΩΤΕΡΙΚΟΥΣ ΧΩΡΟΥΣ ΣΕ ΜΙΑ ΚΑΘΑΡΗ, ΣΤΕΓΝΗ ΕΠΙΦΑΝΕΙΑ ΜΕ ΚΑΛΟ ΕΞΑΕΡΙΣΜΟ ΚΑΙ ΜΑΚΡΙΑ ΑΠΟ ΤΟ ΦΩΣ ΤΟΥ ΗΛΙΟΥ.
  - ΜΗΝ ΑΦΗΝΕΤΕ ΤΟ ΡΟΜΠΟΤ ΝΑ ΦΟΡΤΙΖΕΙ ΠΑΝΩ ΑΠΟ 10 ΩΡΕΣ.
  - ΕΑΝ ΤΟ ΡΟΜΠΟΤ ΔΕΝ ΘΑ ΧΡΗΣΙΜΟΠΟΙΗΘΕΙ ΓΙΑ ΜΕΓΑΛΟ ΧΡΟΝΙΚΟ ΔΙΑΣΤΗΜΑ, ΑΠΟΣΥΝΔΕΣΤΕ ΤΟ ΑΠΟ ΤΗ ΒΑΣΗ ΦΟΡΤΙΣΗΣ ΚΑΙ ΧΡΗΣΙΜΟΠΟΙΗΣΤΕ ΕΝΑ ΥΓΡΟ ΠΑΝΙ ΓΙΑ ΝΑ ΚΑΘΑΡΙΣΤΕ ΚΑΙ ΝΑ ΣΤΕΓΝΩΣΕΤΕ ΤΟ ΡΟΜΠΟΤ ΚΑΙ ΤΑ ΕΞΑΡΤΗΜΑΤΑ ΤΟΥ. ΦΡΟΝΤΙΣΤΕ ΝΑ ΦΟΡΤΙΣΕΤΕ ΤΟ ΡΟΜΠΟΤ ΣΤΟ ΠΕΡΙΠΟΥ 30% ΜΕ 50% ΤΗΣ ΧΩΡΗΤΙΚΟΤΗΤΑΣ ΤΗΣ ΜΠΑΤΑΡΙΑΣ ΠΡΟΤΟΥ ΤΟ ΑΠΟΘΗΚΕΥΣΕΤΕ. ΑΠΟΘΗΚΕΥΣΤΕ ΤΟ ΣΕ ΕΝΑΝ ΚΑΛΑ ΑΕΡΙΖΟΜΕΝΟ ΧΩΡΟ, ΜΑΚΡΙΑ ΑΠΟ ΗΛΙΑΚΟ ΦΩΣ, ΘΕΡΜΟΤΗΤΑ, ΠΗΓΕΣ ΑΝΑΦΛΕΞΗΣ, ΧΗΜΙΚΑ ΠΙΣΙΝΑΣ ΚΑΙ ΝΑ ΕΙΝΑΙ ΜΑΚΡΙΑ ΑΠΟ ΠΑΙΔΙΑ. ΕΠΑΝΑΦΟΡΤΙΖΕΤΕ ΤΟ ΡΟΜΠΟΤ ΚΑΘΕ ΤΡΕΙΣ ΜΗΝΕΣ.
  - ΟΛΕΣ ΟΙ ΕΝΕΡΓΕΙΕΣ ΣΧΕΤΙΚΑ ΜΕ ΤΗΝ ΑΠΟΣΥΝΑΡΜΟΛΟΓΗΣΗ ΤΗΣ ΠΕΡΙΣΤΡΕΦΟΜΕΝΗΣ ΚΕΦΑΛΗΣ (Π.Χ. ΑΠΟΡΡΙΨΗ ΜΠΑΤΑΡΙΑΣ) ΠΡΕΠΕΙ ΝΑ ΠΡΑΓΜΑΤΟΠΟΙΟΥΝΤΑΙ ΜΟΝΟ ΑΠΟ ΕΞΟΥΣΙΟΔΟΤΗΜΕΝΟ ΤΕΧΝΙΚΟ.
- ΟΙ ΠΑΡΑΠΑΝΩ ΠΡΟΕΙΔΟΠΟΙΗΣΕΙΣ ΚΑΙ ΕΝΗΜΕΡΩΣΕΙΣ ΑΣΦΑΛΕΙΑΣ ΔΕΝ ΠΡΟΟΡΙΖΟΝΤΑΙ ΝΑ ΕΝΣΩΜΑΤΩΣΟΥΝ ΟΛΕΣ ΤΙΣ ΠΙΘΑΝΕΣ ΠΕΡΙΠΤΩΣΕΙΣ ΓΙΑ ΚΙΝΔΥΝΟΥΣ Ή/ΚΑΙ ΣΟΒΑΡΟΥΣ ΤΡΑΥΜΑΤΙΣΜΟΥΣ. ΟΙ ΙΔΙΟΚΤΗΤΕΣ ΠΙΣΙΝΑΣ / ΣΠΑ ΘΑ ΠΡΕΠΕΙ ΝΑ ΕΠΙΔΕΙΚΝΟΥΝ ΠΑΝΤΑ ΕΠΙΠΛΕΟΝ ΠΡΟΣΟΧΗ ΚΑΙ ΚΟΙΝΗ ΛΟΓΙΚΗ ΚΑΤΑ ΤΗ ΧΡΗΣΗ ΤΟΥ ΠΡΟΪΟΝΤΟΣ.**

#### ΦΥΛΑΞΤΕ ΑΥΤΕΣ ΤΙΣ ΟΔΗΓΙΕΣ

#### ΛΙΣΤΑ ΕΞΑΡΤΗΜΑΤΩΝ



ΑΡΙΘ.	ΚΩΔΙΚΟΣ	ΠΟΣΟΤ
1	R05700	1
2	R05626	1
3	R05628	1
4	R05632	1
5	R05627	1
6	R05696	1
7	R03880	1
8	R03879	1

ΤΟ ΡΟΜΠΟΤ ΔΙΑΘΕΤΕΙ ΕΝΑ ΑΚΡΟΦΥΣΙΟ ΠΟΥ ΠΡΩΘΕΙ ΤΟ ΝΕΡΟ ΣΤΟ ΚΑΤΩ ΜΕΡΟΣ ΤΗΣ ΠΕΡΙΣΤΡΕΦΟΜΕΝΗΣ ΚΕΦΑΛΗΣ. ΤΟ ΝΕΡΟ ΑΠΟΡΡΟΦΑΤΑΙ ΠΡΩΤΑ ΑΠΟ ΤΟ ΣΤΟΜΙΟ ΑΝΑΡΡΟΦΗΣΗΣ ΣΤΟ ΚΑΤΩ ΜΕΡΟΣ ΤΟΥ ΡΟΜΠΟΤ, ΚΑΙ ΣΤΗ ΣΥΝΕΧΕΙΑ ΠΕΡΝΑ ΜΕΣΑ ΑΠΟ ΤΟ ΦΙΛΤΡΟ ΚΑΙ ΕΚΚΕΝΩΝΕΤΑΙ ΜΕΣΩ ΤΟΥ ΣΧΕΤΙΚΟΥ ΠΡΟΣΤΙΚΟΥ ΑΚΡΟΦΥΣΙΟΥ. Η ΕΚΤΟΞΕΥΣΗ ΤΟΥ ΝΕΡΟΥ ΑΠΟ ΤΟ ΑΚΡΟΦΥΣΙΟ ΘΩΒΕΙ ΤΟ ΡΟΜΠΟΤ ΠΡΟΣ ΤΑ ΕΜΠΟΔΙΑ. ΜΟΛΙΣ ΤΟ ΡΟΜΠΟΤ ΣΤΑΜΑΤΗΣΕΙ ΜΠΡΟΣΤΑ ΣΕ ΕΝΑ ΕΜΠΟΔΙΟ, ΟΠΩΣ ΤΟ ΤΟΙΧΩΜΑ ΤΗΣ ΠΙΣΙΝΑΣ, ΤΟ ΠΛΕΥΡΙΚΟ ΤΟΥ ΠΤΕΡΥΓΙΟ ΤΑΛΑΝΤΕΥΕΤΑΙ ΚΑΙ Η ΠΕΡΙΣΤΡΕΦΟΜΕΝΗ ΚΕΦΑΛΗ ΤΟΥ ΠΕΡΙΣΤΡΕΦΕΤΑΙ ΚΑΤΑ 180°, ΕΠΙΤΡΕΠΟΝΤΑΣ ΕΤΣΙ ΣΤΟ ΡΟΜΠΟΤ ΝΑ ΚΙΝΗΘΕΙ ΠΡΟΣ ΤΗΝ ΑΝΤΙΘΕΤΗ ΚΑΤΕΥΘΥΝΣΗ. ΤΟ ΡΟΜΠΟΤ ΓΕΝΙΚΑ ΚΙΝΕΙΤΑΙ ΣΕ ΜΙΑ ΕΥΘΕΙΑ ΠΡΟΣ ΤΗ ΜΙΑ ΚΑΤΕΥΘΥΝΣΗ ΚΑΙ ΣΕ ΕΝΑ ΤΟΣΟ ΠΡΟΣ ΤΗΝ ΑΛΛΗ ΚΑΤΕΥΘΥΝΣΗ. ΤΟ ΡΟΜΠΟΤ ΚΑΘΑΡΙΖΕΙ ΤΟΝ ΠΥΘΜΕΝΑ ΤΗΣ ΠΙΣΙΝΑΣ ΚΑΘΩΣ ΚΙΝΕΙΤΑΙ, ΣΥΛΛΕΓΟΝΤΑΣ ΤΑ ΣΥΝΤΡΙΜΜΑΤΑ ΣΤΟΝ ΧΩΡΟ ΣΥΛΛΟΓΗΣ ΤΟΥ.

## ΣΥΝΑΡΜΟΛΟΓΗΣΗ ΚΑΙ ΛΕΙΤΟΥΡΓΙΑ

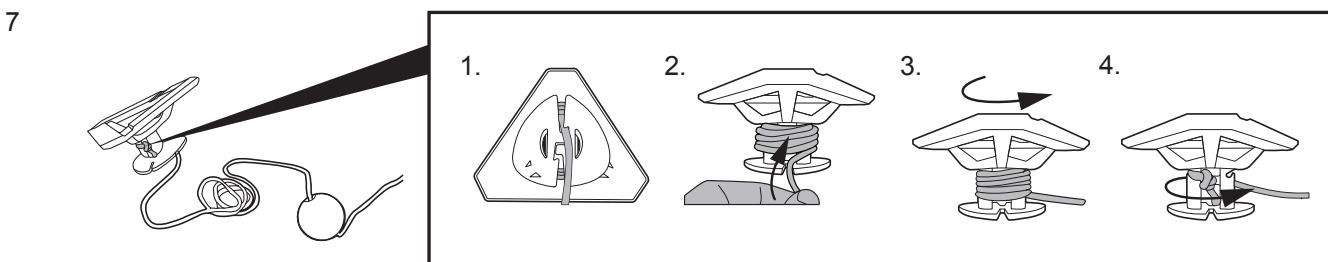
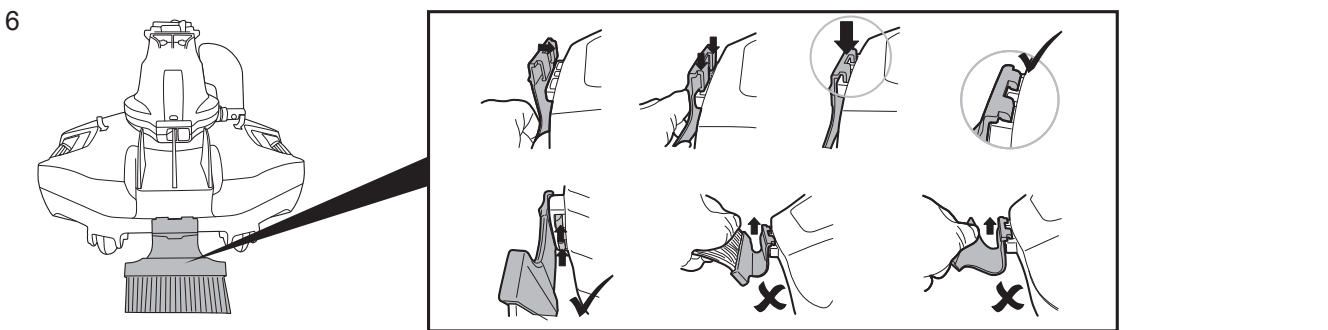
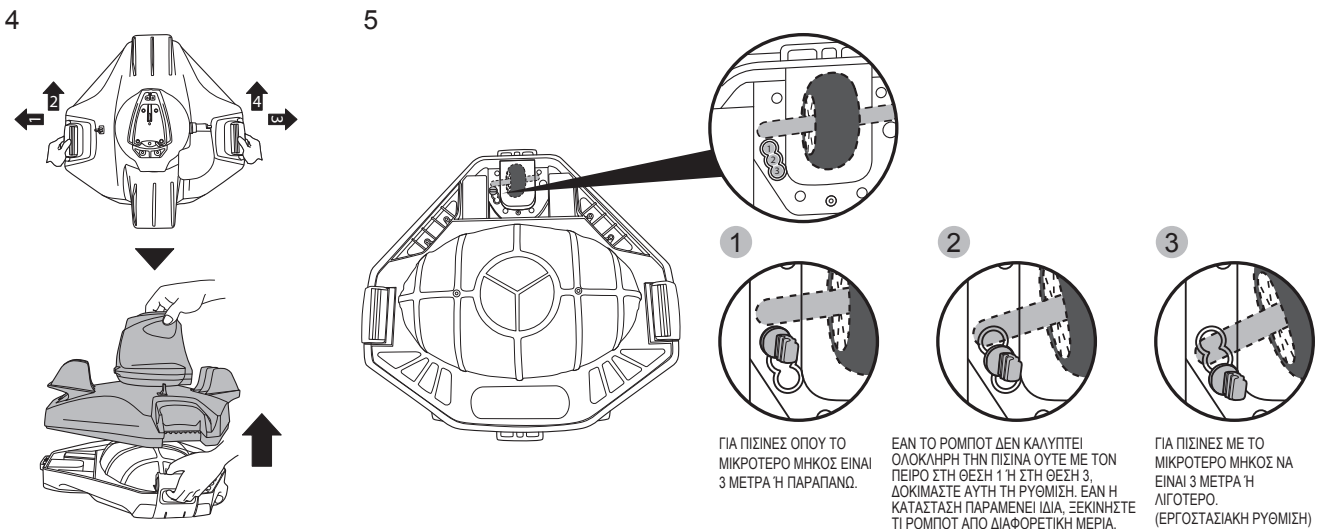
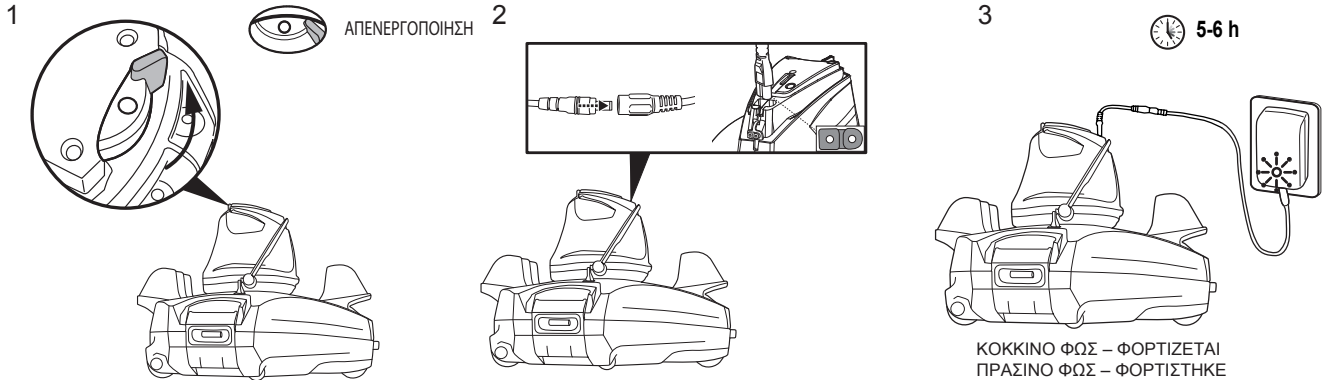
ΠΡΟΕΙΔΟΠΟΙΗΣΗ ΓΙΑ ΤΗ ΦΟΡΤΙΣΗ

- ΧΡΗΣΙΜΟΠΟΙΗΣΤΕ ΜΟΝΟ ΤΟΝ ΑΥΘΕΝΤΙΚΟ ΕΞΩΤΕΡΙΚΟ ΠΡΟΣΑΡΜΟΓΕΑ ΚΑΙ ΤΟ ΠΑΡΕΧΟΜΕΝΟ ΚΑΛΩΔΙΟ ΦΟΡΤΙΣΗΣ.
- ΒΕΒΑΙΩΘΕΙΤΕ ΟΤΙ ΤΟΣΟ ΤΟ ΡΟΜΠΟΤ ΟΣΟ ΚΑΙ Η ΘΥΡΑ ΤΟΥ ΦΟΡΤΙΣΤΗ ΕΙΝΑΙ ΚΑΘΑΡΑ ΚΑΙ ΣΤΕΓΝΑ ΠΡΙΝ ΑΠΟ ΤΗ ΦΟΡΤΙΣΗ.
- ΒΕΒΑΙΩΘΕΙΤΕ ΟΤΙ ΤΟ ΡΟΜΠΟΤ ΕΧΕΙ ΣΒΗΣΕΙ ΓΥΡΝΩΝΤΑΣ ΤΟΝ ΔΙΑΚΟΠΤΗ ΣΤΗΝ ΘΕΣΗ OFF ΠΡΙΝ ΑΠΟ ΤΗΝ ΦΟΡΤΙΣΗ.
- ΦΟΡΤΙΣΤΕ ΠΛΗΡΩΣ ΤΟ ΡΟΜΠΟΤ (ΣΥΝΕΧΩΣ ΓΙΑ ΠΕΡΙΠΟΥ 5-6 ΩΡΕΣ) ΠΡΙΝ ΤΟ ΧΡΗΣΙΜΟΠΟΙΗΣΤΕ ΓΙΑ ΠΡΩΤΗ ΦΟΡΑ.
- ΕΝΔΕΙΚΤΙΚΗ ΛΥΧΝΙΑ ΙΣΧΥΟΣ: ΛΥΧΝΙΑ ΜΗ ΑΝΑΜΕΝΗ - ΑΠΕΝΕΡΓΟΠΟΙΗΣΗ / ΜΗΔΕΝΙΚΗ ΙΣΧΥΣ

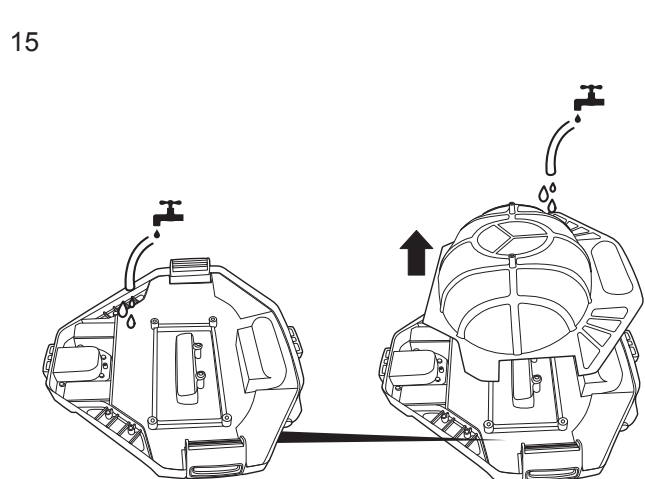
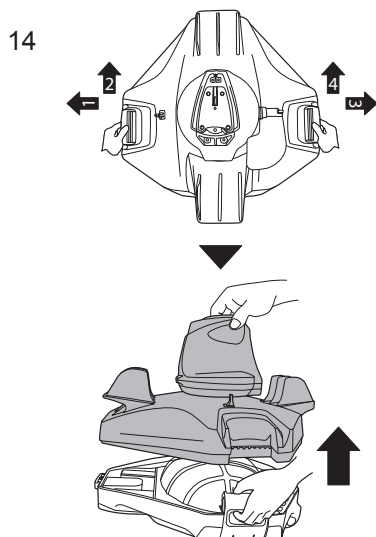
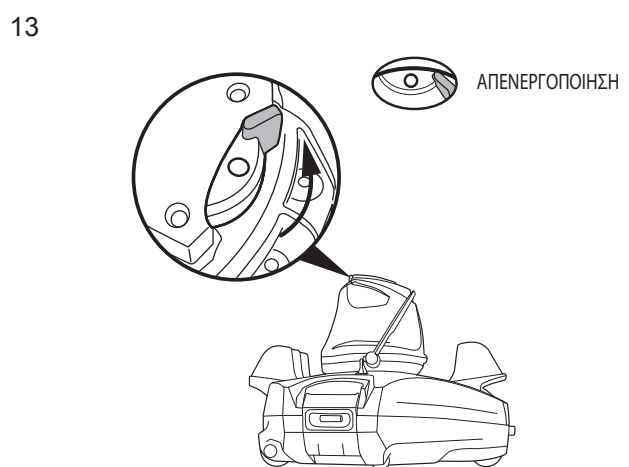
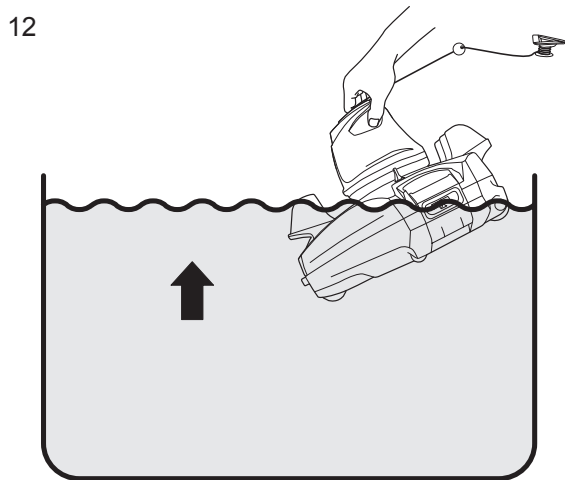
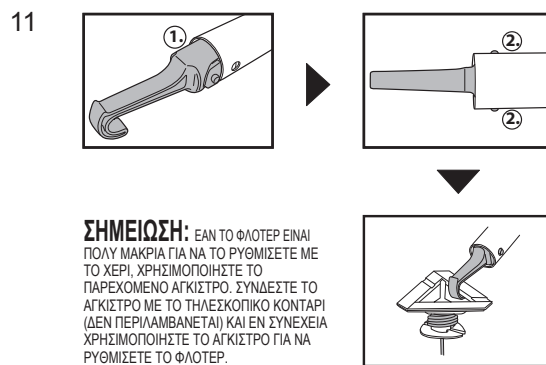
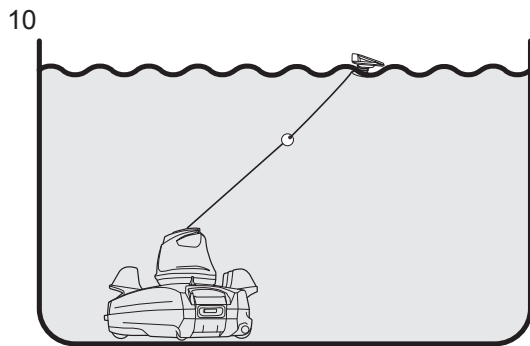
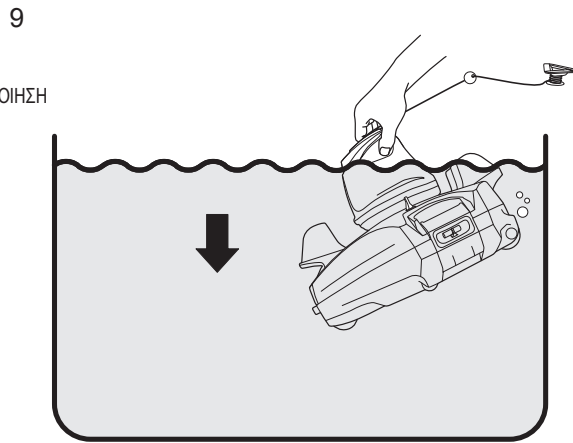
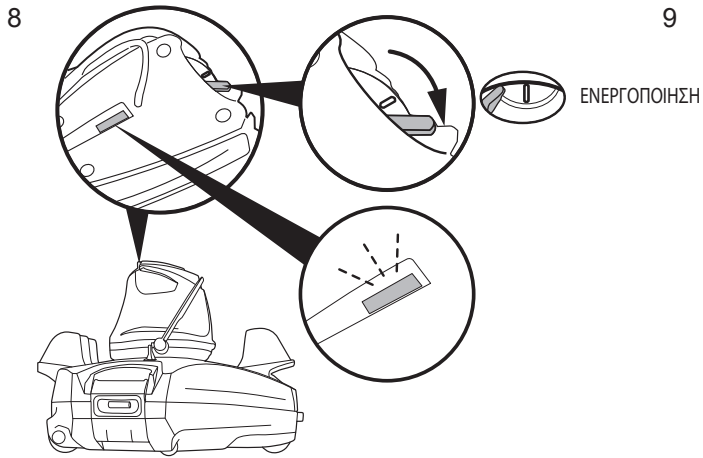
ΛΥΧΝΙΑ ΑΝΑΜΕΝΗ - ΕΝΕΡΓΟΠΟΙΗΣΗ

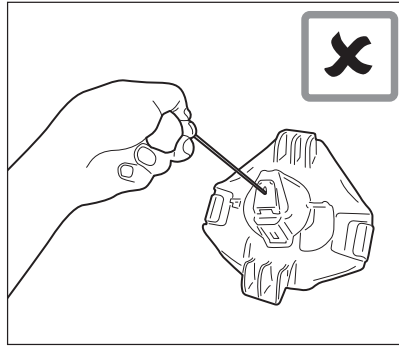
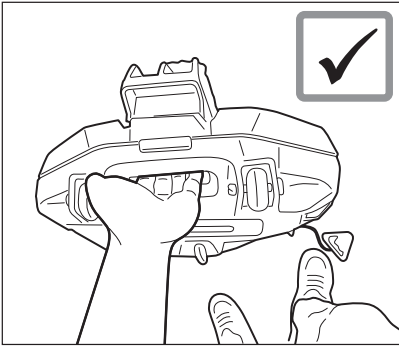
ΛΥΧΝΙΑ ΑΝΑΒΟΣΒΗΝΕΙ - Η ΙΣΧΥΣ ΤΗΣ ΜΠΑΤΑΡΙΑΣ ΘΑ ΤΕΛΕΙΩΣΕΙ ΜΕΣΑ ΣΕ 10 ΛΕΠΤΑ.

**ΣΗΜΕΙΩΣΗ:** ΜΟΛΙΣ ΑΡΧΙΣΕΙ Η ΦΟΡΤΙΣΗ ΤΟΥ ΡΟΜΠΟΤ, Η ΕΝΔΕΙΚΤΙΚΗ ΛΥΧΝΙΑ ΣΤΟΝ ΕΞΩΤΕΡΙΚΟ ΠΡΟΣΑΡΜΟΓΕΑ ΘΑ ΓΙΝΕΙ ΚΟΚΚΙΝΗ. ΟΤΑΝ ΤΟ ΡΟΜΠΟΤ ΚΟΝΤΕΥΕΙ ΝΑ ΦΟΡΤΙΣΤΕΙ ΠΛΗΡΩΣ, Η ΕΝΔΕΙΚΤΙΚΗ ΛΥΧΝΙΑ ΘΑ ΓΙΝΕΙ ΠΡΑΣΙΝΗ.

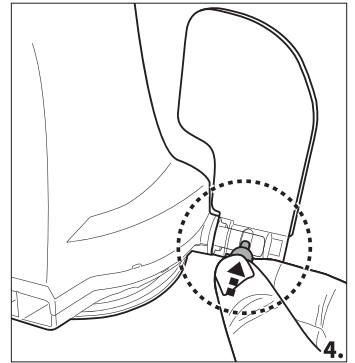
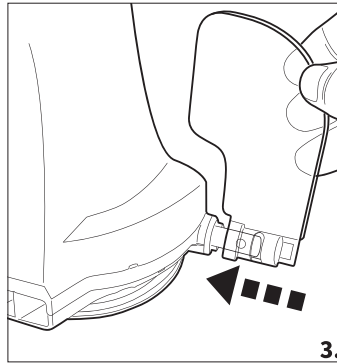
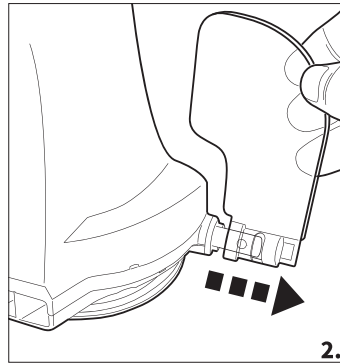
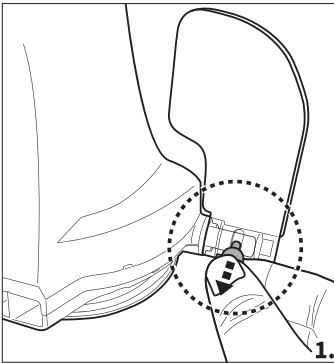


**ΣΗΜΕΙΩΣΗ:** ΑΝΑΣΗΚΩΣΤΕ ΩΣΤΕ ΝΑ ΑΠΟΣΥΝΔΕΣΤΕ ΤΟ ΚΑΛΥΜΜΑ ΤΟΥ ΦΛΟΤΕΡ ΚΑΙ ΑΦΗΣΤΕ ΤΟ ΣΚΟΙΝΙ ΑΠΟ ΤΟ ΦΛΟΤΕΡ ΝΑ ΦΘΑΣΕΙ ΜΕΧΡΙ ΤΟ ΒΑΘΟΣ ΤΟΥ ΝΕΡΟΥ ΤΗΣ ΠΙΣΙΝΑΣ ΚΑΙ ΠΕΡΙΠΟΥ 0,5 ΜΕΤΡΑ (19,7 ΙΝΤΣΕΣ).





## ΑΝΤΙΚΑΤΑΣΤΑΣΗ ΠΤΕΡΥΓΙΟΥ



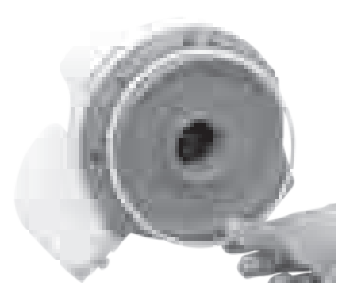
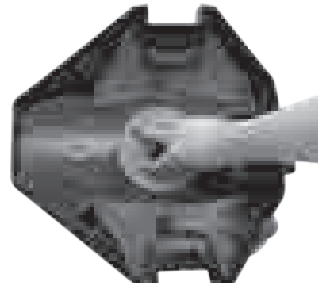
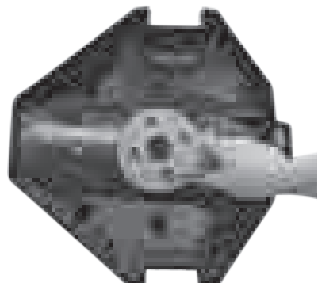
## ΣΥΝΤΗΡΗΣΗ ΚΑΙ ΑΠΟΘΗΚΕΥΣΗ

1. Η ΜΠΑΤΑΡΙΑ ΑΠΟΦΟΡΤΙΖΕΤΑΙ ΑΠΟ ΜΟΝΗ ΤΗΣ ΚΑΤΑ ΤΗ ΔΙΑΡΚΕΙΑ ΤΗΣ ΑΠΟΘΗΚΕΥΣΗΣ. ΒΕΒΑΙΩΘΕΙΤΕ ΟΤΙ ΦΟΡΤΙΣΑΤΕ ΠΛΗΡΩΣ ΤΟ ΡΟΜΠΟΤ ΠΡΙΝ ΤΟ ΑΠΟΘΗΚΕΥΣΕΤΕ.
  2. ΘΑ ΠΡΕΠΕΙ ΝΑ ΕΠΑΝΑΦΟΡΤΙΖΕΤΕ ΤΗΝ ΜΠΑΤΑΡΙΑ ΤΟΥΛΑΧΙΣΤΟΝ ΜΙΑ ΦΟΡΑ ΚΑΘΕ ΤΡΕΙΣ ΜΗΝΕΣ, ΟΤΑΝ Η ΣΥΣΚΕΥΗ ΔΕΝ ΕΙΝΑΙ ΣΕ ΧΡΗΣΗ.
- ΑΠΟΣΥΝΔΕΣΤΕ ΤΟΝ ΕΞΩΤΕΡΙΚΟ ΠΡΟΣΑΡΜΟΓΕΑ ΑΠΟ ΤΗΝ ΠΡΙΖΑ ΚΑΙ ΣΤΗ ΣΥΝΕΧΕΙΑ ΑΠΟΣΥΝΔΕΣΤΕ ΤΟ ΚΑΛΩΔΙΟ ΦΟΡΤΙΣΗΣ ΑΠΟ ΤΟΝ ΕΞΩΤΕΡΙΚΟ ΠΡΟΣΑΡΜΟΓΕΑ ΚΑΙ ΤΟ ΡΟΜΠΟΤ.
  - ΑΦΑΙΡΕΣΤΕ ΟΛΑ ΤΑ ΕΞΑΡΤΗΜΑΤΑ ΑΠΟ ΤΟ ΡΟΜΠΟΤ. ΕΑΝ ΕΙΝΑΙ ΑΠΑΡΑΙΤΗΤΟ, ΞΕΠΛΥΝΕΤΕ ΤΟ ΡΟΜΠΟΤ ΚΑΙ ΤΑ ΕΞΑΡΤΗΜΑΤΑ ΤΟΥ ΜΕ ΓΛΥΚΟ ΝΕΡΟ. ΜΗΝ ΧΡΗΣΙΜΟΠΟΙΕΙΤΕ ΑΠΟΡΡΥΠΑΝΤΙΚΟ.
  - ΦΡΟΝΤΙΣΤΕ ΝΑ ΑΠΟΣΤΡΑΓΙΣΕΤΕ ΤΟ ΝΕΡΟ ΑΠΟ ΤΟ ΡΟΜΠΟΤ ΠΡΙΝ ΤΟ ΑΠΟΘΗΚΕΥΣΕΤΕ.
  - ΧΡΗΣΙΜΟΠΟΙΕΙΣΤΕ ΕΝΑ ΥΓΡΟ ΠΑΝΙ ΓΙΑ ΝΑ ΚΑΘΑΡΙΣΕΤΕ ΚΑΙ ΝΑ ΣΤΕΓΝΩΣΕΤΕ ΤΟ ΡΟΜΠΟΤ ΚΑΙ ΤΑ ΕΞΑΡΤΗΜΑΤΑ ΤΟΥ.
  - ΑΠΟΘΗΚΕΥΣΤΕ ΣΕ ΕΝΑΝ ΚΑΛΑ ΑΕΡΙΖΟΜΕΝΟ ΧΩΡΟ, ΜΑΚΡΙΑ ΑΠΟ ΤΟ ΗΛΙΑΚΟ ΦΩΣ, ΑΠΟ ΠΗΓΕΣ ΘΕΡΜΟΤΗΤΑΣ, ΑΠΟ ΠΗΓΕΣ ΑΝΑΦΛΕΞΗΣ, ΑΠΟ ΧΗΜΙΚΑ ΠΙΣΙΝΑΣ ΚΑΙ ΑΠΟ ΠΑΙΔΙΑ. Η ΘΕΡΜΟΚΡΑΣΙΑ ΠΕΡΙΒΑΛΛΟΝΤΟΣ ΓΙΑ ΤΗΝ ΑΠΟΘΗΚΕΥΣΗ ΠΡΕΠΕΙ ΝΑ ΕΙΝΑΙ 10°C - 25°C (50°F - 77°F). **ΣΗΜΕΙΩΣΗ:** ΜΙΑ ΥΨΗΛΟΤΕΡΗ ΘΕΡΜΟΚΡΑΣΙΑ ΑΠΟΘΗΚΕΥΣΗΣ ΜΠΟΡΕΙ ΝΑ ΜΕΙΩΣΕΙ ΤΗ ΔΙΑΡΚΕΙΑ ΖΩΗΣ ΤΗΣ ΜΠΑΤΑΡΙΑΣ.

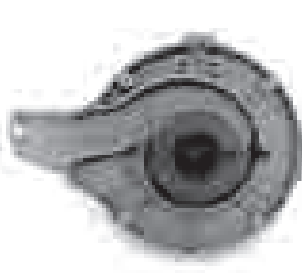
## ΠΩΣ ΝΑ ΑΦΑΙΡΕΣΕΤΕ ΤΗΝ ΜΠΑΤΑΡΙΑ

ΣΥΝΙΣΤΩΜΕΝΑ ΕΡΓΑΛΕΙΑ (ΔΕΝ ΠΕΡΙΛΑΜΒΑΝΟΝΤΑΙ): ΚΑΤΣΑΒΙΔΙ.

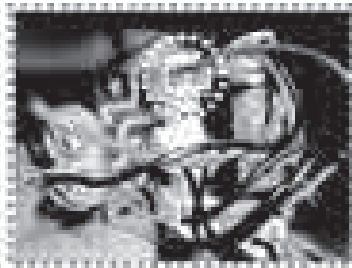
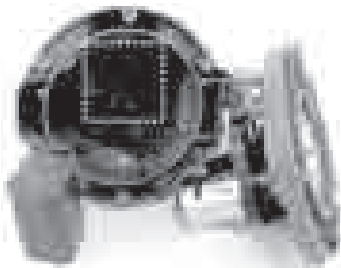
1. ΑΠΕΛΕΥΘΕΡΩΣΤΕ ΤΟ ΕΠΑΝΩ ΚΑΛΥΜΜΑ (ΠΡΟ-ΣΥΝΑΡΜΟΛΟΓΗΜΕΝΟ ΜΕ ΤΗΝ ΠΕΡΙΣΤΡΕΦΟΜΕΝΗ ΚΕΦΑΛΗ). ΓΥΡΙΣΤΕ ΤΟ ΚΑΛΥΜΜΑ ΠΡΟΣ ΤΑ ΕΠΑΝΩ ΚΑΙ ΑΠΕΛΕΥΘΕΡΩΣΤΕ ΤΗΝ ΠΕΡΙΣΤΡΕΦΟΜΕΝΗ ΚΕΦΑΛΗ ΣΤΡΕΦΟΝΤΑΣ ΤΗΝ ΚΑΤΩ ΠΛΑΚΑ ΑΣΦΑΛΙΣΗΣ ΑΡΙΣΤΕΡΟΣΤΡΟΦΑ. ΑΦΑΙΡΕΣΤΕ ΤΟΝ ΠΕΡΙΣΤΡΕΦΟΜΕΝΟ ΔΑΚΤΥΛΙΟ ΕΞΟΜΑΛΥΝΣΗΣ.



2. ΧΡΗΣΙΜΟΠΟΙΗΣΤΕ ΤΟ ΚΑΤΣΑΒΙΔΙ ΓΙΑ ΝΑ ΞΕΒΙΔΩΣΕΤΕ ΤΙΣ 4 ΒΙΔΕΣ ΠΟΥ ΒΡΙΣΚΟΝΤΑΙ ΣΤΟ ΚΑΤΩ ΜΕΡΟΣ ΤΗΣ ΚΕΦΑΛΗΣ ΩΣΤΕ ΝΑ ΑΠΕΛΕΥΘΕΡΩΣΕΤΕ ΠΡΩΤΑ ΤΗΝ ΠΛΑΚΑ ΤΗΣ ΒΑΣΗΣ. ΧΡΗΣΙΜΟΠΟΙΗΣΤΕ ΤΟ ΚΑΤΣΑΒΙΔΙ ΓΙΑ ΝΑ ΞΕΒΙΔΩΣΕΤΕ ΟΛΕΣ ΤΙΣ ΒΙΔΕΣ ΤΗΣ ΒΑΣΗΣ ΟΠΩΣ ΦΑΙΝΕΤΑΙ. ΑΦΑΙΡΕΣΤΕ ΤΗΝ ΦΤΕΡΩΤΗ ΚΑΙ ΣΤΗ ΣΥΝΕΧΕΙΑ ΞΕΒΙΔΩΣΤΕ ΤΗ ΒΑΣΗ ΚΑΙ ΑΦΑΙΡΕΣΤΕ ΤΗΝ ΩΣΤΕ ΝΑ ΑΠΟΚΑΛΥΦΘΕΙ Η ΚΕΦΑΛΗ ΠΟΥ ΕΙΝΑΙ ΜΕΣΑ.



3. ΑΦΑΙΡΕΣΤΕ ΤΗΝ ΜΠΑΤΑΡΙΑ ΩΣΤΕ ΝΑ ΑΠΟΚΑΛΥΨΕΤΕ ΤΟ PCBA [ΤΣΙΠ ΤΥΠΩΜΕΝΟΥ ΚΥΚΛΩΜΑΤΟΣ]. ΓΙΑ ΝΑ ΑΠΟΣΥΝΔΕΣΕΤΕ ΤΟ ΚΑΛΩΔΙΟ ΣΥΝΔΕΣΗΣ ΤΗΣ ΜΠΑΤΑΡΙΑΣ, ΠΙΕΣΤΕ ΤΟ ΚΛΙΠ ΠΑΝΩ ΣΤΟΝ ΣΥΝΔΕΣΜΟ ΚΑΙ ΣΤΗ ΣΥΝΕΧΕΙΑ ΤΡΑΒΗΣΤΕ ΤΟ ΠΡΟΣ ΤΑ ΕΞΩ. **ΣΗΜΕΙΩΣΗ:** ΤΥΛΙΣΤΕ ΑΜΕΣΩΣ ΤΟ ΑΚΡΟ ΤΗΣ ΦΙΣΑΣ ΜΕ ΜΟΝΩΤΙΚΗ ΤΑΙΝΙΑ ΓΙΑ ΝΑ ΑΠΟΦΥΓΕΤΕ ΤΟ ΒΡΑΚΥΚΛΩΜΑ ΠΟΥ ΜΠΟΡΕΙ ΝΑ ΠΡΟΚΛΗΘΕΙ ΑΠΟ ΤΗΝ ΕΠΑΦΗ ΚΑΙ ΤΩΝ ΔΥΟ ΑΚΡΟΔΕΚΤΩΝ.



## ΑΠΟΡΡΙΨΗ

ΤΑ ΑΠΟΒΛΗΤΑ ΤΩΝ ΗΛΕΚΤΡΙΚΩΝ ΠΡΟΪΟΝΤΩΝ ΔΕΝ ΠΡΕΠΕΙ ΝΑ ΑΠΟΡΡΙΠΤΟΝΤΑΙ ΜΑΖΙ ΜΕ ΤΑ ΟΙΚΙΑΚΑ ΑΠΟΡΡΙΜΑΤΑ. ΠΑΡΑΚΑΛΟΥΜΕ ΑΝΑΚΥΚΛΩΣΤΕ ΟΠΟΥ ΥΠΑΡΧΟΥΝ ΟΙ ΣΧΕΤΙΚΕΣ ΕΓΚΑΤΑΣΤΑΣΕΙΣ. ΕΠΙΚΟΙΝΩΝΗΣΤΕ ΜΕ ΤΙΣ ΑΡΜΟΔΙΕΣ ΤΟΠΙΚΕΣ ΑΡΧΕΣ Ή ΤΟΝ ΠΩΛΗΤΗ ΣΑΣ ΓΙΑ ΟΔΗΓΙΕΣ ΚΑΙ ΣΥΜΒΟΥΛΕΣ ΑΝΑΚΥΚΛΩΣΗΣ.

## ΑΝΤΙΜΕΤΩΠΙΣΗ ΠΡΟΒΛΗΜΑΤΩΝ

ΠΡΟΒΛΗΜΑ	ΠΙΘΑΝΗ ΑΙΤΙΑ	ΛΥΣΗ
ΤΟ ΡΟΜΠΟΤ ΔΕΝ ΣΥΛΛΕΓΕΙ ΤΑ ΣΥΝΤΡΙΜΜΑΤΑ.	Η ΜΠΑΤΑΡΙΑ ΕΞΑΝΤΛΕΙΤΑΙ	ΦΟΡΤΙΣΤΕ ΠΑΛΙ ΤΟ ΡΟΜΠΟΤ.
	ΕΧΕΙ ΜΠΛΟΚΑΡΕΙ Η ΦΤΕΡΩΤΗ.	ΑΠΕΝΕΡΓΟΠΟΙΗΣΤΕ ΤΟ ΡΟΜΠΟΤ ΚΑΙ ΕΛΕΓΞΤΕ ΤΗΝ ΟΠΗ ΚΑΤΩ ΑΠΟ ΤΗΝ ΠΕΡΙΣΤΡΕΦΟΜΕΝΗ ΚΕΦΑΛΗ ΩΣΤΕ ΝΑ ΔΕΙΤΕ ΕΑΝ Η ΦΤΕΡΩΤΗ ΕΧΕΙ ΜΠΛΟΚΑΡΙΣΤΕΙ ΑΠΟ ΜΕΓΑΛΑ ΣΥΝΤΡΙΜΜΑΤΑ. ΓΙΑ ΒΟΗΘΕΙΑ, ΕΠΙΣΚΕΦΘΕΙΤΕ ΤΟ ΤΜΗΜΑ ΥΠΟΣΤΗΡΙΞΗΣ ΣΤΗΝ ΙΣΤΟΣΕΛΙΔΑ ΜΑΣ <a href="http://www.bestwaycorp.com">www.bestwaycorp.com</a> . <b>ΠΡΟΕΙΔΟΠΟΙΗΣΗ:</b> ΒΕΒΑΙΩΘΕΙΤΕ ΟΤΙ ΤΟ ΡΟΜΠΟΤ ΕΙΝΑΙ ΑΠΕΝΕΡΓΟΠΟΙΗΜΕΝΟ ΠΡΙΝ ΑΠΟ ΤΗ ΣΥΝΤΗΡΗΣΗ ΤΗΣ ΜΟΝΑΔΑΣ.
	ΤΟ ΣΤΟΜΙΟ ΑΝΑΡΡΟΦΗΣΗΣ ΕΙΝΑΙ ΦΡΑΓΜΕΝΟ	ΑΦΑΙΡΕΣΤΕ ΤΑ ΑΝΤΙΚΕΙΜΕΝΑ ΦΡΑΓΗΣ ΑΠΟ ΤΟ ΣΤΟΜΙΟ ΑΝΑΡΡΟΦΗΣΗΣ.
	ΕΧΕΙ ΣΠΑΣΕΙ Η ΦΤΕΡΩΤΗ	ΓΙΑ ΒΟΗΘΕΙΑ, ΕΠΙΣΚΕΦΘΕΙΤΕ ΤΟ ΤΜΗΜΑ ΥΠΟΣΤΗΡΙΞΗΣ ΣΤΗΝ ΙΣΤΟΣΕΛΙΔΑ ΜΑΣ <a href="http://www.bestwaycorp.com">www.bestwaycorp.com</a> .
	Ο ΧΩΡΟΣ ΣΥΛΛΟΓΗΣ ΣΥΝΤΡΙΜΜΑΤΩΝ ΕΙΝΑΙ ΠΛΗΡΗΣ	ΚΑΘΑΡΙΣΤΕ ΤΟΣΟ ΤΟΝ ΧΩΡΟ ΣΥΛΛΟΓΗΣ ΣΥΝΤΡΙΜΜΑΤΩΝ ΟΣΟ ΚΑΙ ΤΟ ΚΑΛΥΜΜΑ ΤΟΥ ΦΙΛΤΡΟΥ.
ΤΟ ΡΟΜΠΟΤ ΣΤΑΜΑΤΗΣΕ ΝΑ ΚΙΝΕΙΤΑΙ ΣΤΗ ΜΕΣΗ ΤΗΣ ΠΙΣΙΝΑΣ ΑΛΛΑ Η ΠΕΡΙΣΤΡΕΦΟΜΕΝΗ ΚΕΦΑΛΗ ΣΥΝΕΧΙΖΕΙ ΝΑ ΠΕΡΙΣΤΡΕΦΕΤΑΙ.	ΤΟ ΡΟΜΠΟΤ ΣΤΑΜΑΤΗΣΕ ΑΠΟ ΚΑΠΟΙΟ ΕΜΠΟΔΙΟ Ή ΑΠΟ ΜΕΓΑΛΕΣ ΠΤΥΧΩΣΕΙΣ ΣΤΗΝ ΕΠΕΝΔΥΣΗ ΤΗΣ ΠΙΣΙΝΑΣ	ΕΛΕΓΞΤΕ ΓΙΑ ΝΑ ΔΙΑΠΙΣΤΩΣΕΤΕ ΕΑΝ ΥΠΑΡΧΕΙ ΤΟ ΟΠΙΟΔΗΠΟΤΕ ΑΝΤΙΚΕΙΜΕΝΟ ΠΟΥ ΕΜΠΟΔΙΖΕΙ ΤΟΝ ΚΑΘΑΡΙΣΤΗ. ΠΑΡΑΜΕΡΙΣΤΕ ΤΟ ΕΜΠΟΔΙΟ.
	ΤΟ ΡΟΜΠΟΤ ΣΤΑΜΑΤΗΣΕ ΤΗΝ ΑΝΑΡΡΟΦΗΣΗ ΛΟΓΩ ΤΗΣ ΚΥΡΙΑΣ ΑΠΟΧΕΤΥΣΗΣ ΤΟΥ ΔΑΠΕΔΟΥ ΤΗΣ ΠΙΣΙΝΑΣ	ΑΠΕΝΕΡΓΟΠΟΙΗΣΤΕ ΤΟ ΣΥΣΤΗΜΑ ΦΙΛΤΡΑΡΙΣΜΑΤΟΣ ΣΥΜΦΩΝΑ ΜΕ ΤΙΣ ΣΧΕΤΙΚΕΣ ΟΔΗΓΙΕΣ ΣΤΟ ΕΓΧΕΙΡΙΔΙΟ.
Η ΠΕΡΙΣΤΡΕΦΟΜΕΝΗ ΚΕΦΑΛΗ ΠΕΡΙΣΤΡΕΦΕΤΑΙ ΕΠΑΝΕΙΛΗΜΜΕΝΑ	ΑΕΡΑΣ ΠΑΓΙΔΕΥΜΕΝΟΣ ΜΕΣΑ ΣΤΟ ΡΟΜΠΟΤ	Η ΠΕΡΙΣΤΡΕΦΟΜΕΝΗ ΚΕΦΑΛΗ ΜΠΟΡΕΙ ΝΑ ΠΕΡΙΣΤΡΑΦΕΙ ΕΠΑΝΕΙΛΗΜΜΕΝΑ ΓΙΑ ΛΙΓΑ ΛΕΠΤΑ ΜΟΛΙΣ ΤΟ ΡΟΜΠΟΤ ΒΥΘΙΣΤΕΙ ΣΤΟΝ ΠΥΘΜΕΝΑ ΤΗΣ ΠΙΣΙΝΑΣ. ΑΥΤΟ ΤΟ ΦΑΙΝΟΜΕΝΟ ΘΑ ΣΤΑΜΑΤΗΣΕΙ ΟΤΑΝ Ο ΑΕΡΑΣ ΠΟΥ ΕΙΝΑΙ ΠΑΓΙΔΕΥΜΕΝΟΣ ΜΕΣΑ ΣΤΟ ΡΟΜΠΟΤ ΑΡΧΙΣΕΙ ΝΑ ΑΠΟΦΟΡΤΙΖΕΤΑΙ ΣΤΑΔΙΑΚΑ ΚΑΙ ΤΟ ΡΟΜΠΟΤ ΘΑ ΑΡΧΙΣΕΙ ΝΑ ΚΙΝΕΙΤΑΙ ΤΑΚΤΙΚΑ ΚΑΙ ΠΑΛΙ.
ΤΟ ΡΟΜΠΟΤ ΔΕΝ ΚΑΛΥΠΤΕΙ ΟΛΟ ΤΟΝ ΧΩΡΟ ΤΗΣ ΠΙΣΙΝΑΣ	Ο ΧΩΡΟΣ ΣΥΛΛΟΓΗΣ ΣΥΝΤΡΙΜΜΑΤΩΝ ΕΙΝΑΙ ΠΛΗΡΗΣ	ΚΑΘΑΡΙΣΤΕ ΤΟΝ ΧΩΡΟ ΣΥΛΛΟΓΗΣ ΣΥΝΤΡΙΜΜΑΤΩΝ
	Ο ΧΡΟΝΟΣ ΛΕΙΤΟΥΡΓΙΑΣ ΕΙΝΑΙ ΜΙΚΡΟΤΕΡΟΣ ΑΠΟ ΤΟΝ ΑΝΑΜΕΝΟΜΕΝΟ.	ΚΑΘΑΡΙΣΤΕ ΤΟΝ ΧΩΡΟ ΣΥΛΛΟΓΗΣ ΣΥΝΤΡΙΜΜΑΤΩΝ ΚΑΙ ΞΑΝΑΦΟΡΤΙΣΤΕ ΤΟ ΡΟΜΠΟΤ ΓΙΑ 6 ΩΡΕΣ
	Η ΚΑΤΕΥΘΥΝΣΗ ΚΙΝΗΣΗΣ ΔΙΑΚΟΠΤΕΤΑΙ ΑΠΟ ΤΗΝ ΠΑΡΑΓΟΜΕΝΗ ΚΥΚΛΟΦΟΡΙΑ ΝΕΡΟΥ ΣΤΟ ΣΥΣΤΗΜΑ ΦΙΛΤΡΑΡΙΣΜΑΤΟΣ	ΑΠΕΝΕΡΓΟΠΟΙΗΣΤΕ ΤΟ ΣΥΣΤΗΜΑ ΦΙΛΤΡΑΡΙΣΜΑΤΟΣ (ΣΥΜΦΩΝΑ ΜΕ ΤΙΣ ΣΧΕΤΙΚΕΣ ΟΔΗΓΙΕΣ ΣΤΟ ΕΓΧΕΙΡΙΔΙΟ) ΓΙΑ 15 ΛΕΠΤΑ ΤΟΥΛΑΧΙΣΤΟΝ ΠΡΙΝ ΑΠΟ ΤΗ ΛΕΙΤΟΥΡΓΙΑ ΤΟΥ ΡΟΜΠΟΤ.
	Ο ΤΡΟΧΟΣ ΕΧΕΙ ΜΠΛΟΚΑΡΙΣΤΕΙ	ΕΛΕΓΞΤΕ ΚΑΙ ΑΦΑΙΡΕΣΤΕ ΤΑ ΣΥΝΤΡΙΜΜΑΤΑ ΑΠΟ ΤΟΝ ΤΡΟΧΟ.
	Η ΘΕΣΗ ΤΟΥ ΠΕΙΡΟΥ ΑΣΦΑΛΙΣΗΣ ΔΕΝ ΕΧΕΙ ΡΥΘΜΙΣΤΕΙ ΣΩΣΤΑ.	ΑΚΟΛΟΥΘΗΣΤΕ ΤΙΣ ΟΔΗΓΙΕΣ ΩΣΤΕ ΝΑ ΡΥΘΜΙΣΕΤΕ ΤΗ ΘΕΣΗ ΤΟΥ ΠΕΙΡΟΥ ΑΣΦΑΛΙΣΗΣ.
	Η ΑΛΓΗ ΚΑΘΙΣΤΑ ΟΛΙΣΘΗΡΟ ΤΟ ΔΑΠΕΔΟ ΤΗΣ ΠΙΣΙΝΑΣ, ΜΕ ΑΠΟΤΕΛΕΣΜΑ ΤΟ ΡΟΜΠΟΤ ΝΑ ΚΥΚΛΟΦΟΡΕΙ ΚΑΝΟΝΤΑΣ ΚΥΚΛΟΥΣ	ΤΡΙΨΤΕ ΤΟ ΚΑΤΩ ΜΕΡΟΣ ΤΗΣ ΠΙΣΙΝΑΣ ΚΑΘΩΣ ΚΑΙ ΤΟΥΣ ΤΡΟΧΟΥΣ ΤΟΥ ΡΟΜΠΟΤ ΓΙΑ ΝΑ ΑΦΑΙΡΕΣΕΤΕ ΦΥΚΙΑ ΚΑΙ ΑΛΓΗ
ΤΟ ΡΟΜΠΟΤ ΚΙΝΕΙΤΑΙ ΚΑΤΑ ΜΗΚΟΣ ΤΟΥ ΤΟΙΧΩΜΑΤΟΣ	Η ΘΕΣΗ ΤΟΥ ΠΕΙΡΟΥ ΑΣΦΑΛΙΣΗΣ ΔΕΝ ΕΧΕΙ ΡΥΘΜΙΣΤΕΙ ΣΩΣΤΑ / ΤΟ ΡΟΜΠΟΤ ΒΛΕΠΕΙ ΠΡΟΣ ΛΑΘΟΣ ΚΑΤΕΥΘΥΝΣΗ ΑΠΟ ΤΗΝ ΑΡΧΗ	ΑΚΟΛΟΥΘΗΣΤΕ ΤΙΣ ΟΔΗΓΙΕΣ ΩΣΤΕ ΝΑ ΡΥΘΜΙΣΕΤΕ ΤΟ ΚΛΕΙΔΩΜΑ ΤΗΣ ΘΕΣΗΣ ΤΟΥ ΠΕΙΡΟΥ ΑΣΦΑΛΙΣΗΣ. ΒΕΒΑΙΩΘΕΙΤΕ ΟΤΙ ΤΟ ΜΠΡΟΣΤΙΝΟ / ΠΙΣΩ ΜΕΡΟΣ ΤΟΥ ΡΟΜΠΟΤ ΒΛΕΠΕΙ ΤΟ ΤΟΙΧΩΜΑ ΤΗΣ ΠΙΣΙΝΑΣ ΑΠΟ ΤΗΝ ΑΡΧΗ.
ΤΟ ΡΟΜΠΟΤ ΚΙΝΕΙΤΑΙ ΑΡΓΑ Ή ΔΕΝ ΚΙΝΕΙΤΑΙ ΚΑΘΟΛΟΥ	Ο ΧΩΡΟΣ ΣΥΛΛΟΓΗΣ ΣΥΝΤΡΙΜΜΑΤΩΝ ΕΙΝΑΙ ΠΛΗΡΗΣ Ή ΤΟ ΚΑΛΥΜΜΑ ΤΟΥ ΦΙΛΤΡΟΥ ΕΙΝΑΙ ΦΡΑΓΜΕΝΟ	ΚΑΘΑΡΙΣΤΕ ΤΟΝ ΧΩΡΟ ΣΥΛΛΟΓΗΣ ΣΥΝΤΡΙΜΜΑΤΩΝ. ΣΥΛΛΑΜΒΕΤΕ ΤΗΝ ΘΘΟΝΗ ΜΕ ΝΕΡΟ ΓΙΑ ΝΑ ΑΦΑΙΡΕΣΕΤΕ ΤΑ ΜΙΚΡΑ ΣΩΜΑΤΙΔΙΑ. ΕΑΝ ΚΡΙΝΕΤΑΙ ΑΠΑΡΑΙΤΗΤΗ ΜΙΑ ΒΟΥΡΤΣΑ, ΧΡΗΣΙΜΟΠΟΙΗΣΤΕ ΜΙΑ ΜΑΛΑΚΗ ΒΟΥΡΤΣΑ ΓΙΑ ΝΑ ΚΑΘΑΡΙΣΕΤΕ ΑΠΑΛΑ ΤΗΝ ΘΘΟΝΗ. <b>ΣΗΜΕΙΩΣΗ:</b> ΒΕΒΑΙΩΘΕΙΤΕ ΟΤΙ ΤΟ ΚΑΛΥΜΜΑ ΤΟΥ ΦΙΛΤΡΟΥ ΕΙΝΑΙ ΣΤΗ ΘΕΣΗ ΤΟΥ ΠΡΙΝ ΑΠΟ ΤΗΝ ΕΠΟΜΕΝΗ ΦΟΡΑ ΛΕΙΤΟΥΡΓΙΑΣ
	ΤΟ ΣΤΟΜΙΟ ΑΝΑΡΡΟΦΗΣΗΣ ΕΙΝΑΙ ΦΡΑΓΜΕΝΟ	ΑΦΑΙΡΕΣΤΕ ΤΑ ΑΝΤΙΚΕΙΜΕΝΑ ΦΡΑΓΗΣ ΑΠΟ ΤΟ ΣΤΟΜΙΟ ΑΝΑΡΡΟΦΗΣΗΣ
	ΕΧΕΙ ΜΠΛΟΚΑΡΕΙ Η ΦΤΕΡΩΤΗ	ΑΠΕΝΕΡΓΟΠΟΙΗΣΤΕ ΤΟ ΡΟΜΠΟΤ ΚΑΙ ΕΛΕΓΞΤΕ ΤΗΝ ΟΠΗ ΚΑΤΩ ΑΠΟ ΤΗΝ ΠΕΡΙΣΤΡΕΦΟΜΕΝΗ ΚΕΦΑΛΗ ΩΣΤΕ ΝΑ ΔΕΙΤΕ ΕΑΝ Η ΦΤΕΡΩΤΗ ΕΧΕΙ ΜΠΛΟΚΑΡΙΣΤΕΙ ΑΠΟ ΜΕΓΑΛΑ ΣΥΝΤΡΙΜΜΑΤΑ. ΓΙΑ ΒΟΗΘΕΙΑ, ΕΠΙΣΚΕΦΘΕΙΤΕ ΤΟ ΤΜΗΜΑ ΥΠΟΣΤΗΡΙΞΗΣ ΣΤΗΝ ΙΣΤΟΣΕΛΙΔΑ ΜΑΣ <a href="http://www.bestwaycorp.com">www.bestwaycorp.com</a> . <b>ΠΡΟΕΙΔΟΠΟΙΗΣΗ:</b> ΒΕΒΑΙΩΘΕΙΤΕ ΟΤΙ ΤΟ ΡΟΜΠΟΤ ΕΙΝΑΙ ΑΠΕΝΕΡΓΟΠΟΙΗΜΕΝΟ ΠΡΙΝ ΑΠΟ ΤΗ ΣΥΝΤΗΡΗΣΗ ΤΗΣ ΜΟΝΑΔΑΣ.

<p>Η ΠΕΡΙΣΤΡΕΦΟΜΕΝΗ ΚΕΦΑΛΗ ΔΕΝ ΓΥΡΙΖΕΙ Ή ΓΥΡΙΖΕΙ ΔΙΣΘΗΤΑ ΑΡΓΑ.</p>	<p>ΤΟ ΠΛΕΥΡΙΚΟ ΠΤΕΡΥΓΙΟ ΔΕΝ ΑΝΕΒΑΙΝΕΙ</p>	<p>ΕΛΕΓΣΤΕ ΚΑΙ ΑΦΑΙΡΕΣΤΕ ΤΥΧΟΝ ΣΥΝΤΡΙΜΜΑΤΑ ΠΟΥ ΕΜΠΟΔΙΖΟΥΝ ΤΗΝ ΚΙΝΗΣΗ ΤΟΥ ΠΤΕΡΥΓΙΟΥ.</p>
	<p>ΤΟ ΚΑΤΩ ΜΕΡΟΣ ΤΗΣ ΚΕΦΑΛΗΣ ΠΕΡΙΣΤΡΕΦΕΤΑΙ</p>	<p>ΑΠΟΣΥΝΔΕΣΤΕ ΤΗΝ ΠΕΡΙΣΤΡΕΦΟΜΕΝΗ ΚΕΦΑΚΗ ΚΑΙ ΤΟΝ ΔΑΚΤΥΛΙΟ ΕΞΟΜΑΛΥΝΣΗΣ ΣΥΜΦΩΝΑ ΜΕ ΤΙΣ ΟΔΗΓΙΕΣ ΤΗΣ ΕΝΟΤΗΤΑΣ "ΠΩΣ ΝΑ ΑΦΑΙΡΕΣΤΕ ΤΗΝ ΜΠΑΤΑΡΙΑ" ΑΠΟ ΤΟ ΕΓΧΕΙΡΙΔΙΟ ΚΑΙ ΣΤΗ ΣΥΝΕΧΕΙΑ:          - ΑΦΑΙΡΕΣΤΕ ΤΑ ΠΑΓΙΔΕΥΜΕΝΑ ΣΥΝΤΡΙΜΜΑΤΑ          - ΒΕΒΑΙΩΘΕΙΤΕ ΟΤΙ Ο ΔΑΚΤΥΛΙΟΣ ΕΞΟΜΑΛΥΝΣΗΣ ΚΑΙ Η ΚΑΤΩ ΠΛΑΚΑ ΕΧΟΥΝ ΕΓΚΑΤΑΣΤΑΘΕΙ ΣΩΣΤΑ (ΑΝΑΤΡΕΞΤΕ ΣΤΑ ΠΑΡΑΚΑΤΩ ΔΙΑΓΡΑΜΜΑΤΑ)          - ΕΠΙΘΕΩΡΗΣΤΕ ΤΟΝ ΔΑΚΤΥΛΙΟ ΕΞΟΜΑΛΥΝΣΗΣ ΓΙΑ ΠΙΘΑΝΕΣ ΖΗΜΙΕΣ ΚΑΙ ΦΘΟΡΕΣ. ΑΝΤΙΚΑΤΑΣΤΗΣΤΕ ΤΟΝ ΜΕ ΕΝΑΝ ΝΕΟ ΕΑΝ ΕΙΝΑΙ ΑΠΑΡΑΙΤΗΤΟ.</p>
<p>ΔΙΑΦΕΥΓΟΥΝ ΣΥΝΤΡΙΜΜΑΤΑ ΑΠΟ ΤΟ ΡΟΜΠΟΤ</p>	<p>ΤΟ ΠΤΕΡΥΓΙΟ ΤΟΥ ΣΤΟΜΙΟΥ ΑΝΑΡΡΟΦΗΣΗΣ (ΣΤΟ ΚΑΤΩ ΜΕΡΟΥΣ ΤΟΥ ΚΑΘΑΡΙΣΤΙΚΟΥ) ΕΧΕΙ ΖΗΜΙΑ.</p>	<p>ΤΟ ΠΤΕΡΥΓΙΟ ΤΟΥ ΣΤΟΜΙΟΥ ΑΝΑΡΡΟΦΗΣΗΣ ΛΕΙΤΟΥΡΓΕΙ ΣΑΝ ΜΙΑ ΠΟΡΤΑ ΓΙΑ ΤΗ ΑΠΟΦΥΓΗ ΔΙΑΦΥΓΗΣ ΤΩΝ ΣΥΝΤΡΙΜΜΑΤΩΝ ΑΠΟ ΤΟ ΦΙΛΤΡΟ. ΓΙΑ ΒΟΗΘΕΙΑ, ΕΠΙΣΚΕΦΘΕΙΤΕ ΤΟ ΤΜΗΜΑ ΥΠΟΣΤΗΡΙΞΗΣ ΣΤΗΝ ΙΣΤΟΣΕΛΙΔΑ ΜΑΣ <a href="http://www.bestwaycorp.com">www.bestwaycorp.com</a>.</p>
	<p>ΤΑ ΣΥΝΤΡΙΜΜΑΤΑ ΦΡΑΖΟΥΝ ΤΟ ΣΤΟΜΙΟ ΑΝΑΡΡΟΦΗΣΗΣ ΚΑΙ ΕΜΠΟΔΙΖΟΥΝ ΤΟ ΚΛΕΙΣΙΜΟ ΤΟΥ ΠΤΕΡΥΓΙΟΥ</p>	<p>ΑΦΑΙΡΕΣΤΕ ΤΑ ΣΥΝΤΡΙΜΜΑΤΑ ΑΠΟ ΤΟ ΣΤΟΜΙΟ ΑΝΑΡΡΟΦΗΣΗΣ.</p>
<p>ΤΑ ΣΥΝΤΡΙΜΜΑΤΑ ΔΙΑΡΡΕΟΥΝ ΕΞΩ ΑΠΟ ΤΟ ΚΑΛΥΜΜΑ ΤΟΥ ΦΙΛΤΡΟΥ</p>	<p>ΤΟ ΚΑΛΥΜΜΑ ΤΟΥ ΦΙΛΤΡΟΥ ΕΙΝΑΙ ΚΑΤΕΣΤΡΑΜΜΕΝΟ</p>	<p>ΑΝΤΙΚΑΤΑΣΤΗΣΤΕ ΤΟ ΜΕ ΕΝΑ ΝΕΟ ΚΑΛΥΜΜΑ ΦΙΛΤΡΟΥ. ΓΙΑ ΒΟΗΘΕΙΑ, ΕΠΙΣΚΕΦΘΕΙΤΕ ΤΟ ΤΜΗΜΑ ΥΠΟΣΤΗΡΙΞΗΣ ΣΤΗΝ ΙΣΤΟΣΕΛΙΔΑ ΜΑΣ <a href="http://www.bestwaycorp.com">www.bestwaycorp.com</a>.</p>
<p>ΣΤΡΟΓΓΥΛΟ ΦΛΟΤΕΡ ΠΛΩΤΗΡΩΝ</p>	<p>ΤΟ ΦΛΟΤΕΡ ΕΙΝΑΙ ΣΠΑΣΜΕΝΟ ΚΑΙ ΤΟ ΝΕΡΟ ΔΙΑΡΡΕΙ</p>	<p>ΑΝΤΙΚΑΤΑΣΤΗΣΤΕ ΤΟ ΜΕ ΕΝΑ ΝΕΟ ΦΛΟΤΕΡ. ΓΙΑ ΒΟΗΘΕΙΑ, ΕΠΙΣΚΕΦΘΕΙΤΕ ΤΟ ΤΜΗΜΑ ΥΠΟΣΤΗΡΙΞΗΣ ΣΤΗΝ ΙΣΤΟΣΕΛΙΔΑ ΜΑΣ <a href="http://www.bestwaycorp.com">www.bestwaycorp.com</a>.</p>
<p>Η ΛΕΙΤΟΥΡΓΙΑ ΤΟΥ ΡΟΜΠΟΤ ΕΧΕΙ ΛΙΓΟΤΕΡΗ ΔΙΑΡΚΕΙΑ ΑΠΟ ΑΥΤΗ ΠΟΥ ΔΙΑΦΗΜΙΖΕΤΑΙ</p>	<p>Η ΜΠΑΤΑΡΙΑ ΔΕΝ ΕΙΝΑΙ ΠΛΗΡΩΣ ΦΟΡΤΙΣΜΕΝΗ</p>	<p>ΦΟΡΤΙΣΤΕ ΤΟ ΡΟΜΠΟΤ ΓΙΑ ΤΟΥΛΑΧΙΣΤΟΝ 6 ΩΡΕΣ.</p>
<p>ΤΟ ΡΟΜΠΟΤ ΔΕΝ ΜΠΟΡΕΙ ΝΑ ΦΟΡΤΙΣΘΕΙ / ΕΠΑΝΑΦΟΡΤΙΣΘΕΙ</p>	<p>Η ΜΠΑΤΑΡΙΑ ΕΧΕΙ ΥΠΟΣΤΕΙ ΒΛΑΒΗ</p>	<p>ΓΙΑ ΒΟΗΘΕΙΑ, ΕΠΙΣΚΕΦΘΕΙΤΕ ΤΟ ΤΜΗΜΑ ΥΠΟΣΤΗΡΙΞΗΣ ΣΤΗΝ ΙΣΤΟΣΕΛΙΔΑ ΜΑΣ <a href="http://www.bestwaycorp.com">www.bestwaycorp.com</a>.  <b>ΠΡΟΕΙΔΟΠΟΙΗΣΗ!</b> ΜΗΝ ΑΝΤΙΚΑΤΑΣΤΗΣΤΕ ΤΗΝ ΜΠΑΤΑΡΙΑ ΑΠΟ ΜΟΝΟΙ ΣΑΣ. ΜΙΑ ΤΕΤΟΙΑ ΕΝΕΡΓΕΙΑ ΘΑ ΜΠΟΡΟΥΣΕ ΝΑ ΟΔΗΓΗΣΕΙ ΣΕ ΘΑΝΑΣΙΜΟ ΤΡΑΥΜΑΤΙΣΜΟ ΚΑΙ, ΕΠΙΠΛΕΟΝ, ΘΑ ΕΧΕΙ ΣΑΝ</p>
	<p>Η ΒΑΣΗ ΦΟΡΤΙΣΗΣ ΔΕΝ ΕΙΝΑΙ ΠΛΗΡΩΣ ΣΥΝΔΕΔΕΜΕΝΗ ΜΕ ΤΟΝ ΕΞΩΤΕΡΙΚΟ ΠΡΟΣΑΡΜΟΓΕΑ ΚΑΙ ΤΟ ΡΟΜΠΟΤ</p>	<p>ΒΕΒΑΙΩΘΕΙΤΕ ΟΤΙ Η ΒΑΣΗ ΦΟΡΤΙΣΗΣ ΕΙΝΑΙ ΣΥΝΔΕΔΕΜΕΝΗ ΜΕ ΤΟΝ ΕΞΩΤΕΡΙΚΟ ΠΡΟΣΑΡΜΟΓΕΑ ΚΑΙ ΤΟ ΡΟΜΠΟΤ ΣΩΣΤΑ ΚΑΙ ΜΕ ΑΣΦΑΛΕΙΑ. ΑΝΑΤΡΕΞΤΕ ΣΤΟ ΕΓΧΕΙΡΙΔΙΟ ΟΔΗΓΙΩΝ.</p>
	<p>Ο ΕΞΩΤΕΡΙΚΟΣ ΠΡΟΣΑΡΜΟΓΕΑΣ ΔΕΝ ΛΕΙΤΟΥΡΓΕΙ</p>	<p>ΓΙΑ ΒΟΗΘΕΙΑ, ΕΠΙΣΚΕΦΘΕΙΤΕ ΤΟ ΤΜΗΜΑ ΥΠΟΣΤΗΡΙΞΗΣ ΣΤΗΝ ΙΣΤΟΣΕΛΙΔΑ ΜΑΣ <a href="http://www.bestwaycorp.com">www.bestwaycorp.com</a>.  <b>ΠΡΟΕΙΔΟΠΟΙΗΣΗ!</b> Η ΧΡΗΣΙΜΟΠΟΙΗΣΗ ΛΑΘΑΣΜΕΝΟΥ ΕΞΩΤΕΡΙΚΟΥ ΠΡΟΣΑΡΜΟΓΕΑ ΘΑ ΕΧΕΙ ΩΣ ΑΠΟΤΕΛΕΣΜΑ ΖΗΜΙΕΣ ΚΑΙ ΒΛΑΒΕΣ ΣΤΟ ΡΟΜΠΟΤ / ΜΠΑΤΑΡΙΑ ΚΑΙ, ΕΠΙΠΛΕΟΝ, ΘΑ ΕΧΕΙ ΣΑΝ ΑΠΟΤΕΛΕΣΜΑ ΤΗΝ ΑΚΥΡΩΣΗ ΤΗΣ ΕΓΓΥΗΣΗΣ.</p>





## РУКОВОДСТВО ПОЛЬЗОВАТЕЛЯ

Посетите канал Bestway на YouTube

### ВАЖНЫЕ ИНСТРУКЦИИ ПО ТЕХНИКЕ БЕЗОПАСНОСТИ

ДО НАЧАЛА ЭКСПЛУАТАЦИИ ДАННОГО ИЗДЕЛИЯ ВНИМАТЕЛЬНО ИЗУЧИТЕ СЛЕДУЮЩИЕ ИНСТРУКЦИИ И ПРЕДУПРЕЖДЕНИЯ ПО ТЕХНИКЕ БЕЗОПАСНОСТИ И СОХРАНИТЕ ИХ ДЛЯ ДАЛЬНЕЙШЕГО ИСПОЛЬЗОВАНИЯ В СПРАВОЧНЫХ ЦЕЛЯХ

- Это не ИГРУШКА. Храните этот робот-пылесос и его принадлежности в недоступном для детей месте.
- Не разрешайте детям пользоваться этим изделием.
- Этот робот-пылесос не предназначен для использования лицами с ограниченными физическими, сенсорными или умственными возможностями либо лицами без соответствующего опыта и знаний, если они не находятся под присмотром или не проинструктированы о порядке пользования изделием лицом, ответственным за их безопасность.
- Перед тем как включить робот-пылесос убедитесь, что он полностью погружен в воду. Необходимый минимальный уровень воды для работы робота-пылесоса – выше его поворотной головки. Эксплуатация робота-пылесоса, не погруженного должным образом в воду, может привести к повреждению изделия и повлечет за собой аннулирование гарантии.
- Максимальная глубина для работы в воде составляет 3 метра (10 футов).
- Рабочая температура воды: 5°C (41°F) – 35°C (95°F).
- Для зарядки батареи используйте только отсоединяемый блок питания (внешний адаптер), входящий в комплект робота-пылесоса.
- Отсоединяемый блок питания (внешний адаптер).
- Для зарядки батареи используйте только отсоединяемый блок питания (внешний адаптер: DSS18-0842000-B/DSS18-0842000-C) и зарядное устройство, входящие в комплект данного робота-пылесоса.
- **ВНИМАНИЕ** - Данное изделие может использоваться детьми в возрасте 8 лет и старше, а также лицами с ограниченными физическими, сенсорными и умственными возможностями либо лицами без соответствующих навыков и опыта только в том случае, если они находятся под присмотром или проинструктированы на предмет безопасного использования изделия и осознают связанные с этим опасности. Детям запрещается играть с изделием. Детям без присмотра запрещается выполнять чистку и пользовательское обслуживание. (Для рынка ЕС).
- **ВНИМАНИЕ** - Данное изделие не предназначено для использования лицами (включая детей) с ограниченными физическими, сенсорными и умственными возможностями, а

## ЕС

- также лицами без соответствующего опыта и знаний, если они не находятся под присмотром или не проинструктированы о порядке пользования изделием лицом, ответственным за их безопасность. Следует наблюдать за детьми, чтобы они не игрались с изделием. (Для рынков вне ЕС)
- Подсоединяйте внешний адаптер к сети электропитания через устройство защитного отключения (УЗО)/выключатель короткого замыкания на землю (ВКЗЗ). При возникновении сомнений проконсультируйтесь с квалифицированным профессиональным электриком.
- Запрещается эксплуатировать робот-пылесос при обнаружении какого-либо повреждения.
- Замените поврежденные детали как можно скорее. Используйте только запасные части, сертифицированные дистрибьютором или производителем.
- Прежде чем снимать робот-пылесос с зарядного устройства выключите робот-пылесос, отсоедините внешний адаптер от сети электропитания, а затем от зарядного устройства.
- Отсоединяйте изделие от сети питания перед выполнением пользовательского обслуживания, например, чисткой фильтра.
- В изделии установлен литий-ионный аккумуляторный блок. Не пытайтесь заменить его.
- Робот-пылесос следует заряжать только с помощью входящих в его комплект внешнего адаптера и зарядного устройства.
- Когда робот-пылесос находится на зарядке, ЗАПРЕЩАЕТСЯ прикасаться к роботу-пылесосу, внешнему адаптеру и зарядному устройству мокрыми руками и без обуви на ногах.
- Эксплуатация робота-пылесоса запрещается, если в воде находятся люди/домашние животные.
- ЗАПРЕЩАЕТСЯ эксплуатация робота-пылесоса без установленного на место целого фильтра, в противном случае это приведет к аннулированию гарантии.
- Опасность затягивания всасыванием: Робот-пылесос генерирует вакуум. Не допускайте попадания волос, частей тела или любых свободных частей одежды во всасывающее отверстие робота-пылесоса во время его работы.
- Никогда не вставляйте части тела, одежду и другие предметы в отверстия и движущиеся части робота-пылесоса.
- НЕ используйте этот робот-пылесос для сбора каких-либо токсичных веществ, легковоспламеняющихся или горючих жидкостей, как-то бензин, а также не пользуйтесь им в присутствии взрывчатых либо горючих паров или газов.
- Ни при каких обстоятельствах не пытайтесь самостоятельно разобрать робот-пылесос и заменить крыльчатку, двигатель или батарею.
- Никогда не вставляйте пальцы и какие-либо предметы до контакта с крыльчаткой.
- Запрещается эксплуатация этого робота-пылесоса детьми.
- Перед утилизацией робота-пылесоса следует извлечь из него батарею.
- Робот-пылесос содержит батарею, которую могут извлекать только квалифицированные специалисты.
- Во время извлечения батареи робот-пылесос должен быть отключен от сети электропитания.
- Подробные сведения по утилизации батареи см. в разделе «Утилизация батареи» данного руководства.
- Батарею необходимо утилизировать безопасным образом в соответствии с местными нормами и правилами.
- Батарея данного робота-пылесоса – необслуживаемый

литий-ионный аккумуляторный блок, который следует утилизировать надлежащим образом. Необходима вторичная переработка; за дополнительной информацией обратитесь в местные органы власти.

- Внешний адаптер и зарядное устройство:
  - Не используйте внешний адаптер и зарядное устройство ни для чего, кроме зарядки батареи робота-пылесоса, которая входит в его комплект.
  - Запрещается использовать внешний адаптер и зарядное устройство вне помещения, а также подвергать их воздействию дождя, влаги, любой жидкости и тепла.
  - Трансформатор (или внешний адаптер) должен располагаться вне зоны 1.
  - Храните внешний адаптер и зарядное устройство в недоступном для детей месте.
  - Ни в коем случае не используйте внешний адаптер и зарядное устройство при обнаружении какого-либо повреждения.
  - НЕ касайтесь внешнего адаптера и зарядного устройства мокрыми руками.
  - Отсоединяйте внешний адаптер от сети электропитания, когда он не используется.
  - Не пытайтесь открыть внешний адаптер.
  - Если шнур питания поврежден, во избежание возникновения опасных ситуаций его замену должен осуществлять производитель, его представитель по сервису или специалисты аналогичной квалификации.
  - Перед началом подзарядки убедитесь, что робот-пылесос полностью сухой.

#### УТИЛИЗАЦИЯ БАТАРЕИ:

Необходима переработка; за дополнительной информацией обратитесь в местные органы власти.

- Перед утилизацией пылесоса для бассейна следует извлечь из него батарею.
- Во время извлечения батареи пылесос для бассейна должен быть отключен от сети электропитания (розетки электросети).
- Батарея должна быть утилизирована надлежащим и безопасным образом.

#### ОСТОРОЖНО!

- Данный робот-пылесос предназначен только для использования под водой; это не универсальный пылесос. НЕ пытайтесь использовать его для чистки других объектов помимо бассейна.
- Используйте только оригинальные принадлежности, входящие в комплект поставки.
- НЕ используйте этот робот-пылесос сразу после суперхлорирования бассейна. Рекомендуется, чтобы до начала использования робота-пылесоса вода в бассейне циркулировала в течение минимум 24-48 часов.
- Если планируется использование робота-пылесоса в соленой воде, прежде чем погружать его в воду, убедитесь, что вся соль растворилась.
- Не рекомендуется использовать этот робот-пылесос одновременно с другим автоматическим очистителем/очистителем.
- Избегайте попадания в робот-пылесос твердых и острых предметов, поскольку они могут повредить робот-пылесос и фильтр.
- Во избежание повреждения внешнего адаптера и зарядного устройства не переносите робот-пылесос, держа его за кабель внешнего адаптера, а также не тяните за кабель, чтобы

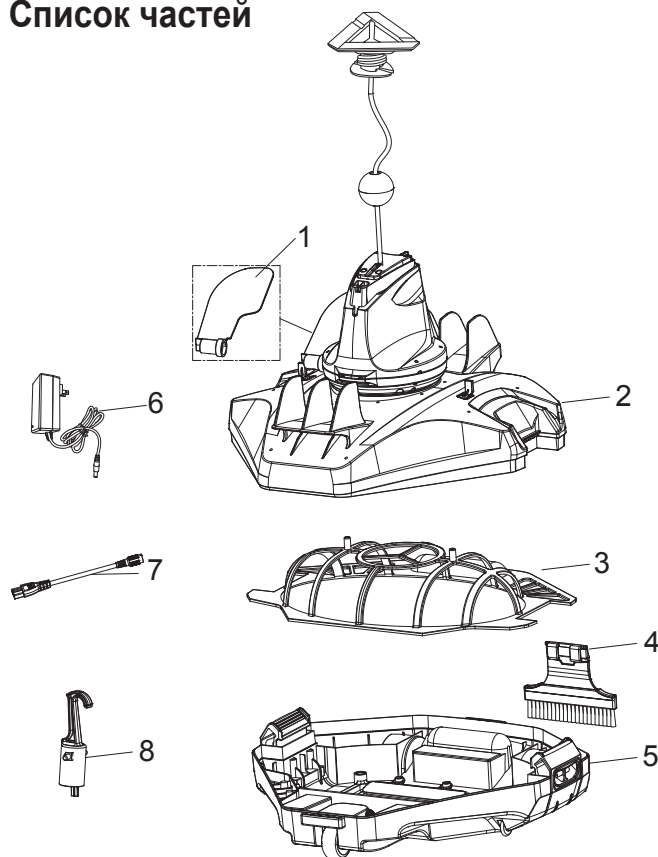
отсоединить его от сети питания или зарядного устройства.

- Заряжайте робот-пылесос в помещении, в чистом, сухом и хорошо вентилируемом месте вдали от солнечного света.
- НЕ оставляйте робот-пылесос на зарядке более чем на 10 часов.
- Если не планируется использовать робот-пылесос в течение длительного времени, снимите его с зарядного устройства; вытрите робот-пылесос и его принадлежности влажной тканью, а затем дайте им высохнуть. Перед тем как поместить робот-пылесос на хранение, зарядите его батарею до 30-50% ее емкости. Храните в хорошо проветриваемом месте вдали от солнечного света, источников тепла и возгорания, химических средств для бассейна и детей. Подзаряжайте робот-пылесос каждые три месяца.
- Все операции, связанные с отсоединением поворотной головки (например, для утилизации батареи), могут выполняться только квалифицированными техническими специалистами.

**Вышеприведенные предупреждения и предостережения могут не охватывать все возможные опасности и (или) риски получения серьезных травм.** При использовании этого изделия владельцы бассейна/спа-бассейна должны применять дополнительные меры предосторожности и руководствоваться здравым смыслом.

## СОХРАНИТЕ ЭТИ ИНСТРУКЦИИ

### Список частей



№	Код части	К-ВО
1	P05700	1
2	P05626	1
3	P05628	1
4	P05632	1
5	P05627	1
6	P05696	1
7	P03880	1
8	P03879	1

Робот-пылесос имеет движущее сопло, расположенное в нижней части поворотной головки. Вода засасывается внутрь через всасывающую горловину внизу робота-пылесоса, проходит через фильтр и выбрасывается через движущее сопло. Выбрасываемая из сопла струя воды двигает робот-пылесос вперед. Когда робот-пылесос упирается в препятствие, его боковой щиток отклоняется, и поворотная головка разворачивается на 180°, двигая робот-пылесос в противоположном направлении. Робот-пылесос движется, в целом, по прямой траектории в одном направлении и по дугообразной траектории в другом направлении. Робот-пылесос очищает дно бассейна во время движения, собирая мусор в специальный отсек.

## Сборка и эксплуатация

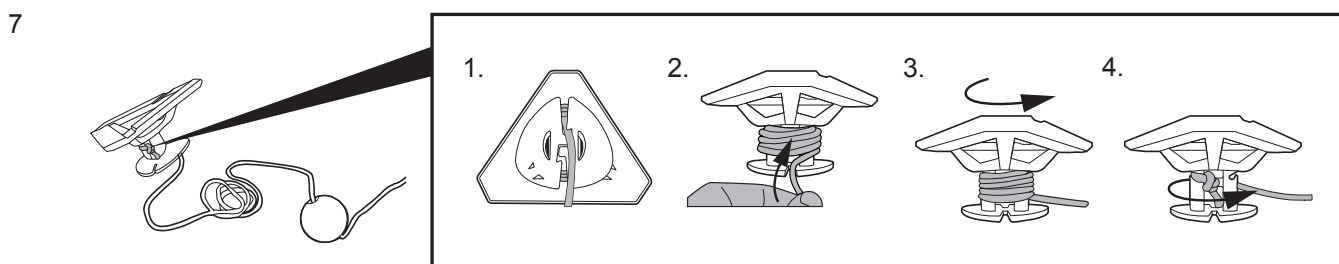
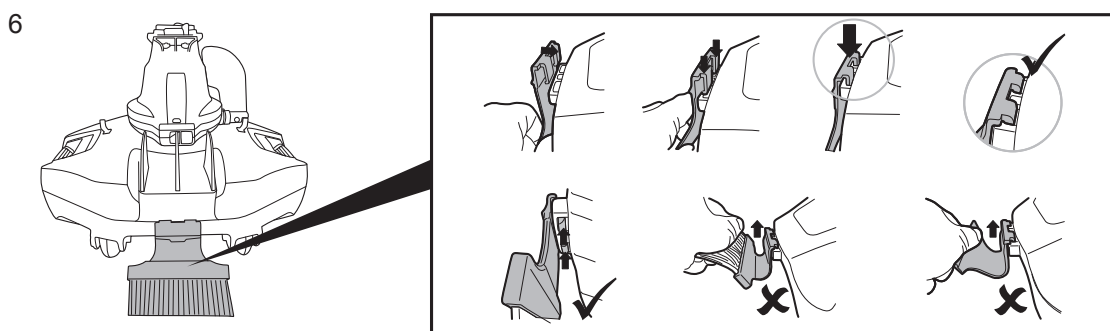
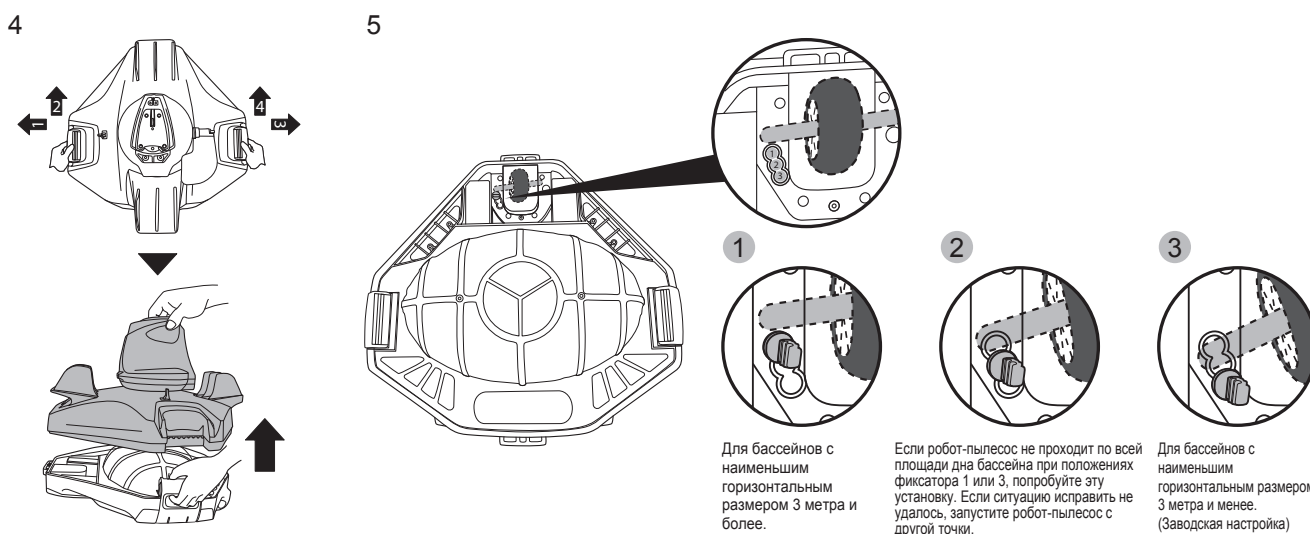
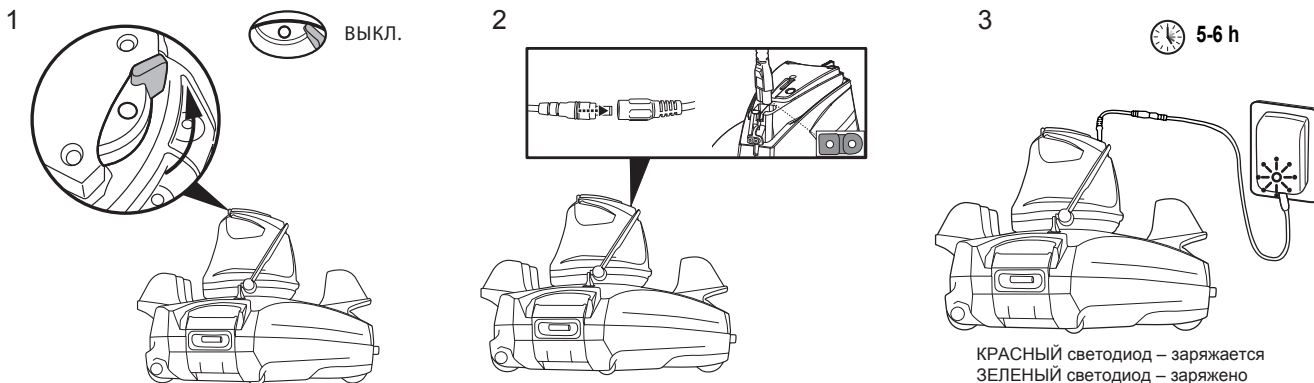
### ПРЕДУПРЕЖДЕНИЕ по зарядке

- Используйте только оригинальный внешний адаптер и входящий в комплект зарядный кабель.
- Перед подключением убедитесь, что робот-пылесос и зарядный порт чистые и сухие.
- Перед началом процесса зарядки убедитесь, что робот-пылесос выключен, передвинув выключатель в положение OFF (ВЫКЛ.).
- Перед первым использованием полностью зарядите робот-пылесос (около 5-6 часов).
- Индикатор питания: Не горит – питание отключено/отсутствует

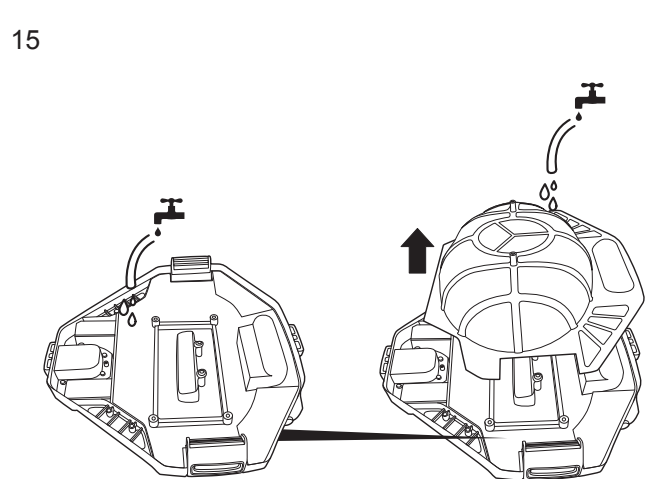
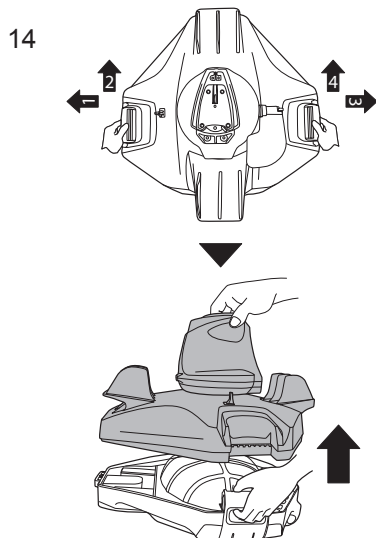
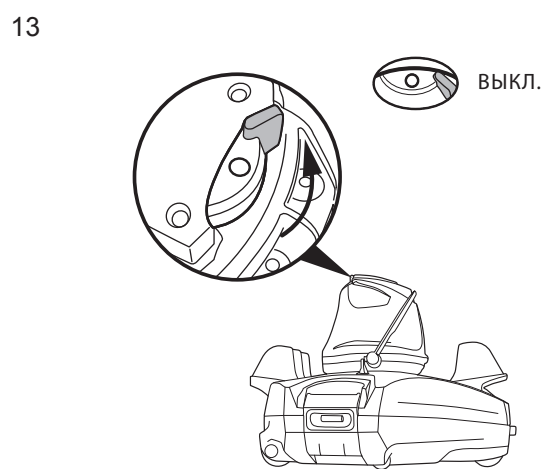
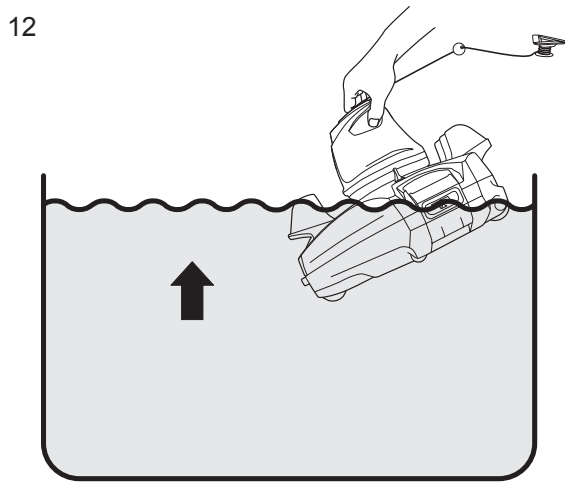
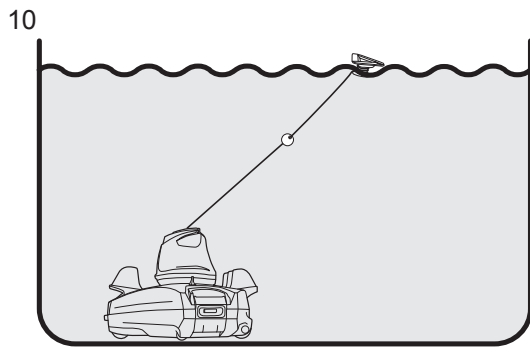
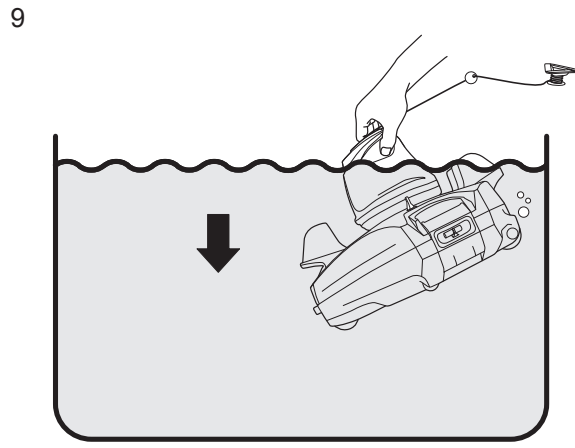
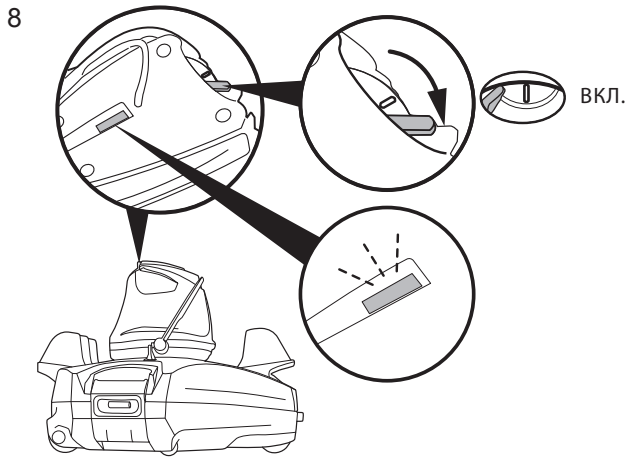
Горит – питание включено

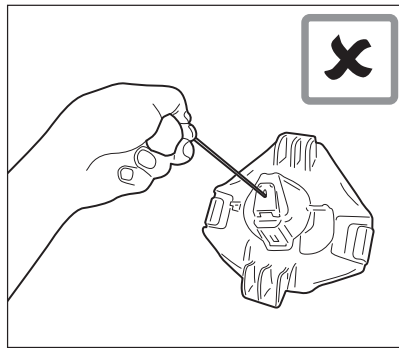
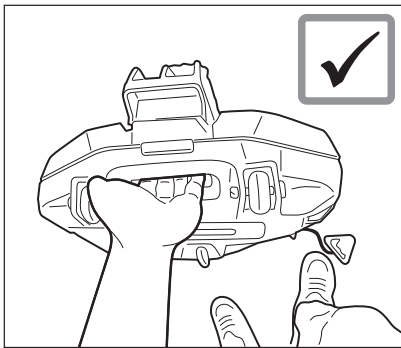
Мигающий индикатор – батарея разрядится в течение 10 минут.

**Примечание.** Как только робот-пылесос начнет заряжаться, индикатор на внешнем адаптере загорится красным. Когда робот-пылесос будет почти полностью заряжен, индикатор станет зеленым.

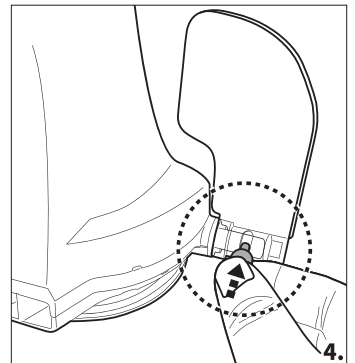
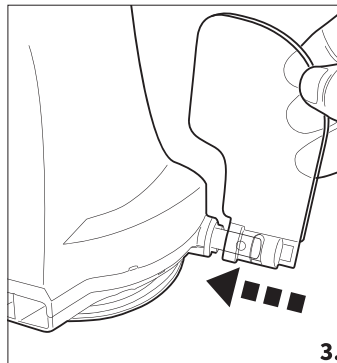
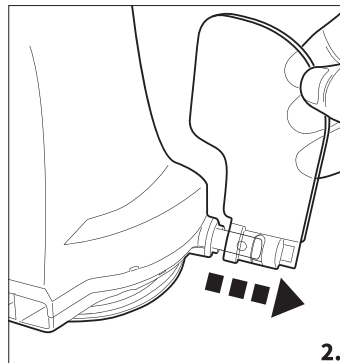
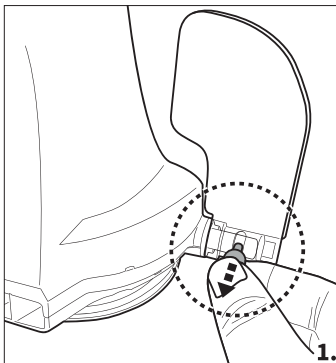


**Примечание.** Подденьте, чтобы отсоединить, крышку поплавка и отмотайте трос на длину, равную глубине воды в бассейне плюс около 0,5 м (19,7 дюйма).





### Замена щитка



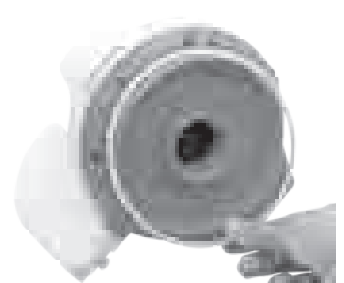
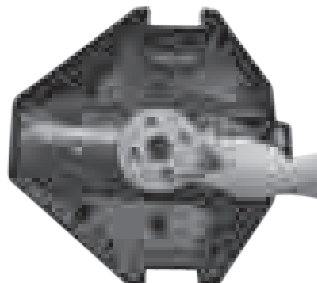
### Обслуживание и хранение

1. Во время хранения батарея разряжается за счет саморазряда. Перед хранением полностью зарядите робот-пылесос.
  2. Подзаряжайте батарею минимум раз в три месяца, когда пылесос не используется.
- Отсоедините внешний адаптер от розетки электросети, а затем отсоедините зарядный кабель от внешнего адаптера и робота-пылесоса.
  - Отсоедините принадлежности от робота-пылесоса. При необходимости промойте робот-пылесос и принадлежности свежей водой. НЕ используйте моющие средства.
  - Перед тем как поместить робот-пылесос на хранение обязательно слейте из него всю воду.
  - Очистите робот-пылесос и принадлежности влажной тканью и дайте им высохнуть.
  - Храните их в хорошо проветриваемом месте вдали от солнечного света, тепла, источников возгорания, химических средств для бассейна и от детей. Температура окружающего воздуха при хранении должна быть в пределах от +10°C до +25°C (50-77°F). **ПРИМЕЧАНИЕ.** Более высокая температура может сократить срок службы батареи.

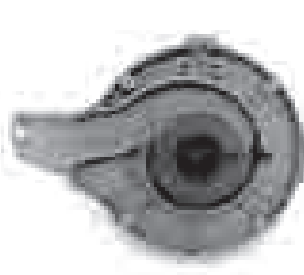
### Извлечение батарейного блока

Рекомендуемые инструменты (в комплект не входят): Отвертка.

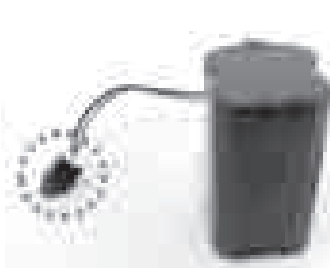
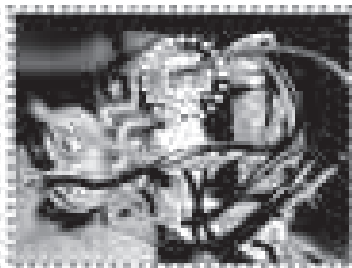
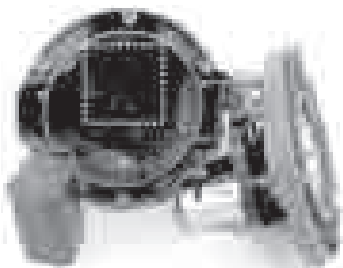
1. Отсоедините верхнюю крышку (с установленной на ней поворотной головкой) Переверните крышку вверх дном и отсоедините поворотную головку, повернув против часовой стрелки ее нижнюю запирающую пластину. Снимите выглаживающее кольцо поворотной головки.



2. С помощью отвертки открутите 4 винта, расположенные на дне головки, чтобы снять сначала нижнюю пластину. С помощью отвертки открутите все винты на основании, как показано. Извлеките крыльчатку, а затем подденьте и снимите основание, чтобы открыть доступ к внутренней полости головки.



3. Извлеките батарейный блок, чтобы получить доступ к электронному блоку на печатной плате. Чтобы отсоединить соединительный провод батареи, нажмите язычок пружинного коннектора и вытяните провод. **ПРИМЕЧАНИЕ.** Немедленно оберните коннектор изоляционной лентой во избежание короткого замыкания вследствие контакта двух клемм.



## УТИЛИЗАЦИЯ

Утилизируемые электротехнические изделия запрещается выбрасывать с бытовым мусором. Отправьте изделия на предприятия по переработке при наличии таковых. Для получения дополнительной информации о переработке обратитесь к местным властям или продавцу изделия.

## УСТРАНЕНИЕ НЕИСПРАВНОСТЕЙ

Неисправность	Возможная причина	Способ устранения
Робот-пылесос не засасывает мусор.	Низкий заряд батареи	Снова зарядите робот-пылесос.
	Крыльчатку заклинило.	Выключите робот-пылесос и загляните в отверстие под поворотной головкой, чтобы проверить, не заклинило ли крыльчатку крупным предметом. Для получения помощи посетите раздел поддержки на нашем веб-сайте <a href="http://www.bestwaycorp.com">www.bestwaycorp.com</a> . <b>ПРЕДУПРЕЖДЕНИЕ!</b> Перед проведением технического обслуживания убедитесь, что робот-пылесос выключен.
	Всасывающая горловина засорена	Удалите мусор из всасывающей горловины.
	Крыльчатка сломалась	Для получения помощи посетите раздел поддержки на нашем веб-сайте <a href="http://www.bestwaycorp.com">www.bestwaycorp.com</a> .
	Отсек для мусора заполнен	Очистите отсек для мусора и крышку фильтра.
Робот-пылесос перестал двигаться посреди бассейна, но его поворотная головка поворачивается	Робот-пылесос остановился, упершись в препятствие или большую складку лайнера бассейна	Проверьте, не мешает ли что-либо движению робота-пылесоса. Удалите препятствие.
	Робот-пылесос остановлен силой всасывания от основного сливного отверстия в полу бассейна	Отключите систему фильтрации (см. инструкцию в руководстве пользователя).
Поворотная головка многократно поворачивается	В робот-пылесос попал воздух	Поворотная головка может многократно поворачиваться в течение нескольких минут с момента опускания робота-пылесоса на дно бассейна. Это явление прекратится, как только постепенно выйдет попавший в робот-пылесос воздух, и тот начнет двигаться в нормальном режиме.
Робот-пылесос не проходит по всей площади дна бассейна	Отсек для мусора заполнен	Очистите отсек для мусора
	Продолжительность работы меньше заявленной	Очистите отсек фильтра и подзарядите робот-пылесос в течение 6 часов
	Траектория движения подверглась воздействию со стороны циркулирующей воды от системы фильтрации	Отключите систему фильтрации (см. руководство пользователя системы фильтрации) как минимум за 15 минут до начала работы робота-пылесоса.
	Колесико заклинило	Проверьте и очистите колесико от мусора.
	Фиксатор установлен в неправильное положение.	Следуйте инструкции, чтобы установить фиксатор в правильное положение.
Водоросли на дне бассейна сделали его скользким, что приводит к круговому движению робота-пылесоса		Очистите дно бассейна и колесики робота-пылесоса от водорослей
Робот-пылесос двигается вдоль стенки бассейна	Фиксатор установлен в неправильное положение/в самом начале при запуске робота-пылесоса было задано неправильное направление движения	Следуйте инструкции, чтобы установить фиксатор в правильное положение. Убедитесь, что в самом начале при запуске робота-пылесоса его передняя/задняя сторона направлена на стенку бассейна.
Робот-пылесос двигается медленно или вообще не двигается	Отсек для мусора заполнен или засорена крышка фильтра	Очистите отсек для мусора. Промойте сетку струей воды, чтобы удалить маленькие частички. Если посчитаете необходимым использовать для очистки щетку, используйте мягкую щетку и аккуратно очистите ей сетку. <b>Примечание.</b> Перед следующим включением робота-пылесоса убедитесь, что крышка фильтра установлена на место
	Всасывающая горловина засорена	Удалите мусор из всасывающей горловины
	Крыльчатку заклинило	Выключите робот-пылесос и загляните в отверстие под поворотной головкой, чтобы проверить, не заклинило ли крыльчатку крупным предметом. Для получения помощи посетите раздел поддержки на нашем веб-сайте <a href="http://www.bestwaycorp.com">www.bestwaycorp.com</a> . <b>ПРЕДУПРЕЖДЕНИЕ!</b> Перед проведением технического обслуживания убедитесь, что робот-пылесос выключен.

Поворотная головка не поворачивается или поворачивается значительно медленнее	Боковой щиток не двигается	Проверьте и удалите весь мусор, препятствующий движению щитка.
	Основание поворотной головки заклинило	Отсоедините поворотную головку и выглаживающее кольцо в соответствии с инструкциями в разделе «Извлечение аккумуляторного блока» руководства пользователя, затем: - Удалите застрявший мусор - Проверьте правильность установки выглаживающего кольца и нижней пластины (см. схемы ниже) - Проверьте выглаживающее кольцо на предмет возможных повреждений и износа. При необходимости замените новым
		
Мусор выпадает из робота-пылесоса	Поврежден клапан всасывающей горловины (на нижней стороне робота-пылесоса)	Клапан всасывающей горловины работает как дверь, не давая мусору выпадать из отсека для мусора. Для получения помощи посетите раздел поддержки на нашем веб-сайте <a href="http://www.bestwaycorp.com">www.bestwaycorp.com</a> .
	Мусор забил всасывающую горловину и не дает клапану закрыться	Удалите мусор из всасывающей горловины.
Мусор выпадает из крышки фильтра	Повреждена сетка крышки фильтра	Замените новой крышкой фильтра. Для получения помощи посетите раздел поддержки на нашем веб-сайте <a href="http://www.bestwaycorp.com">www.bestwaycorp.com</a> .
Круглый поплавок тонет	Поплавок поврежден, и вода проникает в него	Замените поплавок новым. Для получения помощи посетите раздел поддержки на нашем веб-сайте <a href="http://www.bestwaycorp.com">www.bestwaycorp.com</a> .
Продолжительность работы робота-пылесоса меньше заявленной	Батарея заряжена не полностью	Поставьте робот-пылесос на подзарядку минимум на 6 часов.
Робот-пылесос не заряжается/подзаряжается	Батарея повреждена	Для получения помощи посетите раздел поддержки на нашем веб-сайте <a href="http://www.bestwaycorp.com">www.bestwaycorp.com</a> . <b>ПРЕДУПРЕЖДЕНИЕ!</b> НЕ пытайтесь заменить батарею самостоятельно. Это может привести к серьезным или смертельным травмам; кроме того, будет аннулирована гарантия.
	Зарядное устройство не полностью соединено с внешним адаптером и роботом-пылесосом	Убедитесь, что зарядное устройство правильно и полностью подсоединено к внешнему адаптеру и роботу-пылесосу. Обратитесь к руководству пользователя.
	Внешний адаптер непригоден для использования	Для получения помощи посетите раздел поддержки на нашем веб-сайте <a href="http://www.bestwaycorp.com">www.bestwaycorp.com</a> . <b>ПРЕДУПРЕЖДЕНИЕ!</b> Использование непригодного внешнего адаптера может привести к повреждению робота-пылесоса/батареи и аннулированию гарантии.



## INSTRUKCJA OBSŁUGI

Odwiedź stronę Bestway na YouTube

### WAŻNE INSTRUKCJE DOTYCZĄCE BEZPIECZEŃSTWA

PROSIMY UWAŻNIE PRZECZYTAĆ PONIŻSZE OSTRZEŻENIA DOTYCZĄCE BEZPIECZEŃSTWA ORAZ INSTRUKCJE PRZED UŻYCIEM URZĄDZENIA ORAZ ZACHOWAĆ NA PRZYSZŁOŚĆ

- To NIE jest ZABAWKA. Dzieci powinny znajdować się poza zasięgiem tego robota i jego akcesoriów.
- Nigdy nie pozwalaj dzieciom obsługiwać tego produktu.
- Ten robot nie jest przeznaczony do użytku przez osoby o ograniczonych zdolnościach fizycznych, sensorycznych lub umysłowych lub bez doświadczenia i wiedzy, chyba że otrzymały instrukcje dotyczące urządzenia i znajdują się pod nadzorem osoby odpowiedzialnej za ich bezpieczeństwo.
- Przed rozpoczęciem pracy upewnij się, że robot jest całkowicie zanurzony w wodzie. Minimalny poziom wody wymagany do działania robota musi sięgać powyżej głowicy obrotowej robota. Obsługa robota, gdy nie jest on prawidłowo zanurzony w wodzie, może spowodować uszkodzenie urządzenia i unieważnienie gwarancji.
- Maksymalna głębokość robocza w wodzie wynosi 3 metry (10 stóp).
- Temperatura robocza wody: 5 ° C (41 ° F) - 35 ° C (95 ° F).
- Do ładowania akumulatora używaj wyłącznie odłączanego zasilacza (adapter zewnętrzny) dostarczonego z tym robotem.
- Odłączany zasilacz (adapter zewnętrzny).
- Do ładowania akumulatora należy używać wyłącznie odłączanego zasilacza (adapter zewnętrzny: DSS18-0842000-B / DSS18-0842000-C) i podstawy ładującej dostarczonej z tym robotem do ładowania akumulatora.
- **OSTRZEŻENIE** - To urządzenie może być używane przez dzieci w wieku od 8 lat oraz osoby o ograniczonych zdolnościach fizycznych, sensorycznych lub umysłowych lub z brakiem doświadczenia i wiedzy, jeśli zostały one objęte nadzorem lub instrukcją użytkownika urządzenia w bezpieczny sposób i rozumieją zagrożenia z tym związane. Dzieci nie powinny bawić się urządzeniem. Czyszczenie i konserwacja nie powinny być wykonywane przez dzieci bez nadzoru. (Dla rynku UE)
- **OSTRZEŻENIE** - To urządzenie nie jest przeznaczone do

użytku przez osoby (w tym dzieci) o ograniczonych zdolnościach fizycznych, sensorycznych lub umysłowych, lub braku doświadczenia i wiedzy, chyba że zostały pod nadzorem lub instrukcje dotyczące użytkownika urządzenia przez osobę odpowiedzialną za ich bezpieczeństwo. Dzieci powinny być nadzorowane, aby nie bawiły się urządzeniem. (Dla rynku innego niż UE)

- Podłącz zasilacz zewnętrzny do źródła zasilania za pośrednictwem wyłącznika różnicowoprądowego (RCD) / przerywacza obwodu ziemnozwarciowego (GFCI). W razie wątpliwości skonsultuj się z wykwalifikowanym elektrykiem.
- Nie używaj tego robota, jeśli zostanie wykryte jakiegokolwiek uszkodzenie.
- Wymień uszkodzone części jak najszybciej. Używaj tylko części certyfikowanych przez dystrybutora lub producenta.
- Wyłącz robota, odłącz zewnętrzny zasilacz od źródła zasilania i odłącz zewnętrzny zasilacz od podstawy ładującej, zanim odłączysz robota od podstawy ładującej.
- Przed przystąpieniem do konserwacji, takiej jak czyszczenie filtra, należy odłączyć pompę od sieci zasilającej.
- Zainstalowany akumulator to akumulator litowo-jonowy. Nigdy nie próbuj zastępować tego produktu.
- Robota należy ładować tylko za pomocą zewnętrznego adaptera i podstawy ładującej dostarczonych z tym produktem.
- NIE dotykaj robota, zewnętrznego adaptera i podstawy ładującej podczas ładowania mokrymi kończynami i bez butów.
- Nie należy obsługiwać tego robota, gdy w wodzie przebywają ludzie / zwierzęta domowe.
- NIE używaj tego robota bez zamontowanego, nienaruszonego filtra, w przeciwnym razie Twoja gwarancja zostanie unieważniona.
- Ryzyko zablokowania ssania: ten robot wytwarza ssanie. Nie pozwól, aby włosy, ciało i luźne części ubrania zetknęły się z otworem ssącym robota podczas jego pracy.
- Nigdy nie wkładaj części ciała, odzieży i innych przedmiotów do otworów i ruchomych części robota.
- NIE używaj tego robota do zbierania toksycznych substancji, łatwopalnych cieczy, takich jak benzyna, oraz w obecności wybuchowych lub łatwopalnych oparów.
- W żadnym wypadku nie należy próbować samodzielnie demontować robota i wymieniać wirnika, silnika i akumulatora.
- Nigdy nie wkładaj palców ani żadnych przedmiotów, aby dotknąć wirnika.
- Tego robota nie powinny używać dzieci.
- Akumulator należy wyjąć z robota przed złomowaniem.
- Ten robot zawiera akumulator, który może usunąć tylko wykwalifikowany personel.
- Podczas wyjmowania akumulatora robot musi być odłączony od sieci zasilającej.
- Szczegółowe informacje na temat utylizacji baterii znajdują się w części „Utylizacja baterii” w niniejszej instrukcji.
- Akumulator należy bezpiecznie zutylizować zgodnie z lokalnymi rozporządzeniami lub przepisami.
- Robot zawiera bezobsługowy akumulator litowo-jonowy,



który należy odpowiednio zutylizować. Wymagany jest recykling; skontaktuj się z lokalnymi władzami, aby uzyskać więcej informacji.

- Zewnętrzny adapter i podstawa ładująca:
  - Nigdy nie używaj zewnętrznego adaptera i podstawy ładującej do niczego innego niż ładowanie akumulatora robota dostarczonego w tym samym opakowaniu.
  - Zewnętrzny adapter i podstawa ładująca nie powinny być używane na zewnątrz, ani nie powinny być narażone na deszcz, wilgoć, jakiegokolwiek płyny lub ciepło.
  - Transformator (lub zewnętrzny adapter) należy umieścić poza strefą 1.
  - Przechowuj zewnętrzny adapter i stację ładującą w miejscu niedostępnym dla dzieci.
  - Nigdy nie używaj zewnętrznego adaptera i stacji ładującej, jeśli zostaną wykryte jakiegokolwiek uszkodzenia.
  - NIE dotykaj zewnętrznego adaptera i stacji ładującej mokrymi rękami.
  - Trzymaj zewnętrzny adapter odłączony od zasilania, gdy nie jest używany.
  - Nigdy nie próbuj otwierać zewnętrznego adaptera.
  - Jeśli przewód zasilający jest uszkodzony, musi zostać wymieniony przez producenta, przedstawiciela serwisu lub osobę o podobnych kwalifikacjach, aby zapobiec wszelkiego rodzaju zagrożeniom.
  - Przed ładowaniem upewnij się, że robot jest całkowicie suchy.

#### UTYLIZACJA AKUMULATORA:

Akumulator należy oddać do recyklingu – dalszych informacji udziela miejscowe władze.

- Przed usunięciem akumulator musi zostać wyjęty z odkurzacza basenowego.
- W trakcie wyjmowania akumulatora odkurzacz musi być odłączony od zasilania (gniazda elektrycznego).
- Akumulator należy zutylizować w sposób bezpieczny i prawidłowy.

#### UWAGA!

- Ten robot jest przeznaczony wyłącznie do użytku pod wodą; nie jest to uniwersalny odkurzacz. NIE próbuj używać go do czyszczenia czegokolwiek innego niż basen.
- Używaj wyłącznie oryginalnych akcesoriów dostarczonych z tym produktem.
- NIE używaj tego robota zaraz po chlorowaniu szokowym basenu. Zaleca się, aby najpierw pozostawić basen z cyrkulacją, przez co najmniej 24–48 godzin.
- Jeśli planujesz używać robota w basenie ze słoną wodą, upewnij się, że cała sól jest rozpuszczona przed umieszczeniem go w wodzie.
- Nie zaleca się jednoczesnego używania tego robota z innym automatycznym urządzeniem czyszczącym.
- Unikaj zbierania twardych, ostrych przedmiotów za pomocą tego produktu, które mogą uszkodzić robota i filtr.
- Aby uniknąć uszkodzenia zewnętrznego adaptera i podstawy ładującej, nie należy przenosić robota za kabel zewnętrznego adaptera ani ciągnąć za kabel, aby odłączyć

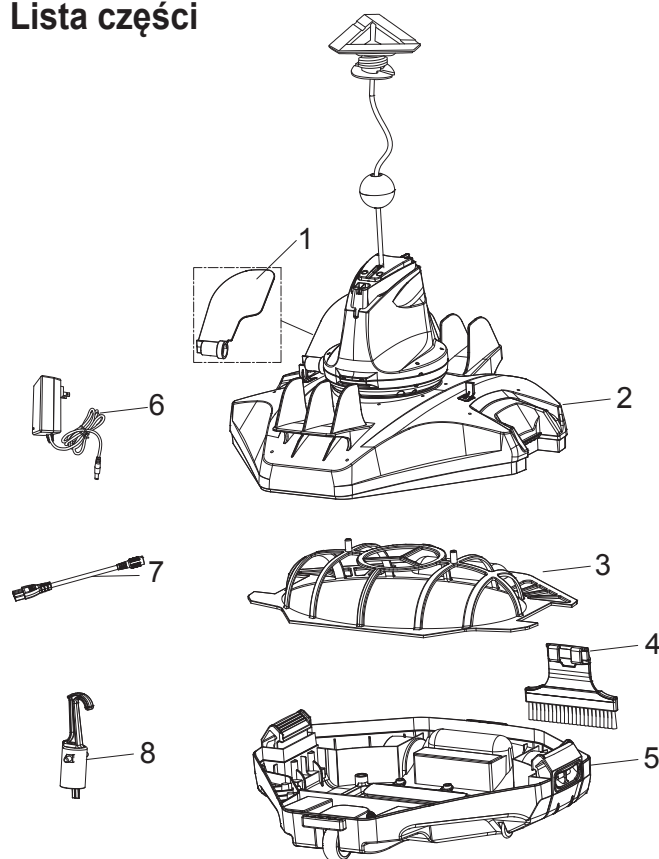
go od źródła zasilania i podstawy ładującej.

- Ładuj robota w pomieszczeniu, w czystym, suchym miejscu z dobrą wentylacją i z dala od światła słonecznego.
- NIE pozostawiaj robota naładowanego przez ponad 10 godzin.
- Jeśli robot nie będzie używany przez dłuższy czas, odłącz go od podstawy ładującej i użyj wilgotnej szmatki do wyczyszczenia i wysuszenia robota i jego akcesoriów. Pamiętaj, aby naładować robota od około 30% do 50% pojemności akumulatora przed jego przechowaniem. Przechowywać w dobrze wentylowanym miejscu, z dala od światła słonecznego, ciepła, źródeł zapłonu, chemikaliów basenowych i dzieci. Ładuj robota co trzy miesiące.
- Wszystkie czynności związane z demontażem głowicy skrętnej (tj. Usuwanie baterii) może wykonywać wyłącznie autoryzowany technik.

**Powyższe ostrzeżenia i przestrogi nie mają na celu uwzględnienie wszystkich możliwych przypadków pod kątem ryzyka i / lub ciężkich obrażeń. Właściciele basenów / spa powinni zawsze zachować szczególną ostrożność i zdrowy rozsądek podczas korzystania z produktu.**

## ZACHOWAJ TE INSTRUKCJE

### Lista części



Nr. Części	Kod części	ILOŚĆ
1	P05700	1
2	P05626	1
3	P05628	1
4	P05632	1
5	P05627	1
6	P05696	1
7	P03880	1
8	P03879	1

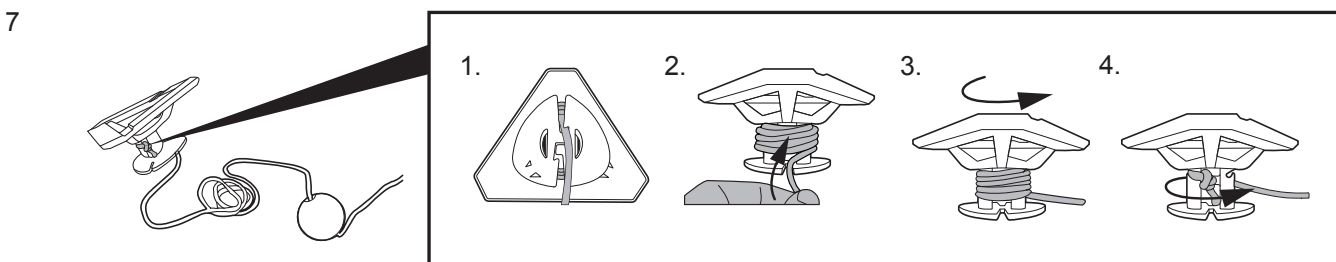
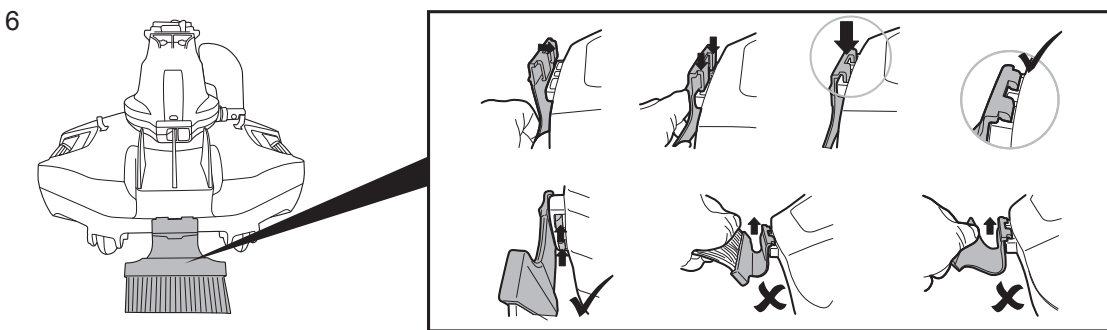
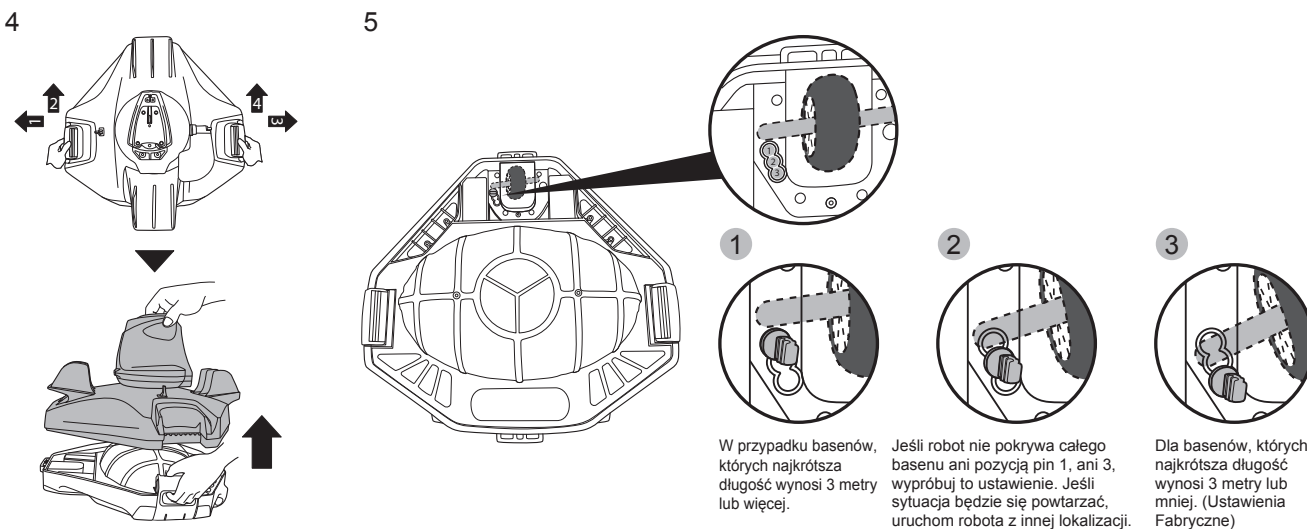
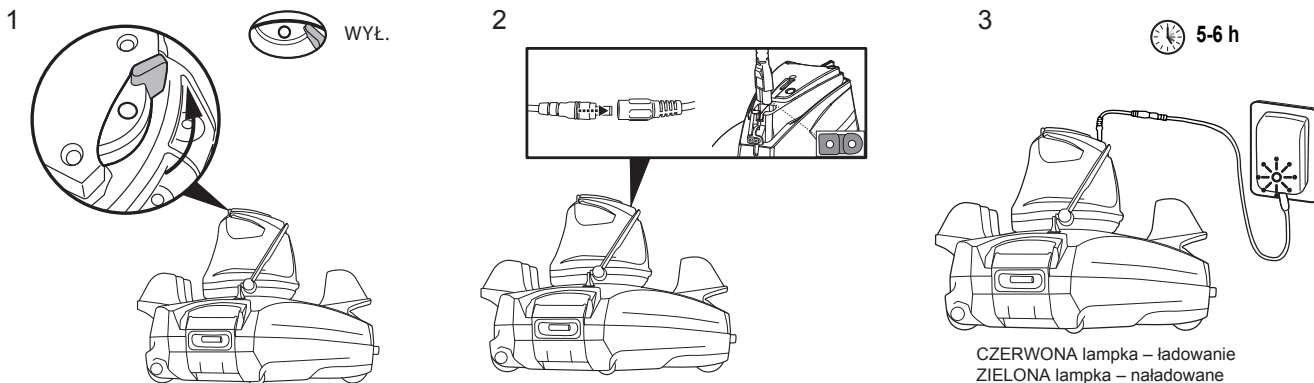
Robot ma dyszę napędzaną wodą w dolnej części głowicy obrotowej. Woda jest najpierw zasysana przez otwór ssący u dołu robota, który następnie przechodzi przez filtr i jest odprowadzany przez dyszę napędową. Strumień wody z dyszy napędza robota do przodu. Gdy robot zatrzyma się przed przeszkodą, taką jak ściana basenu, jego boczna kłapa kołysze się, a głowica obrotowa obraca się o 180°, umożliwiając robotowi ruch w przeciwnym kierunku. Robot porusza się zasadniczo w prostym wzorze w jednym kierunku i we wzór łuku w drugim kierunku. Robot odkurza dno basenu, gdy się porusza, gromadząc zanieczyszczenia w swojej komorze.

## Montaż i obsługa

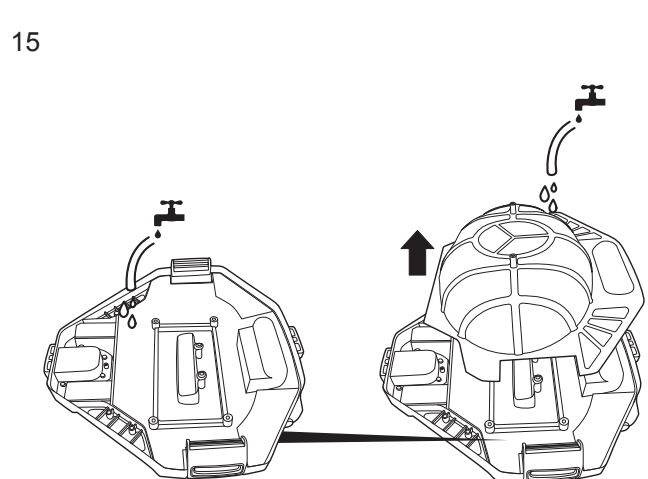
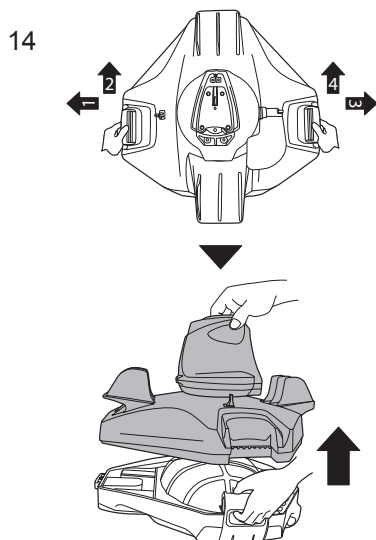
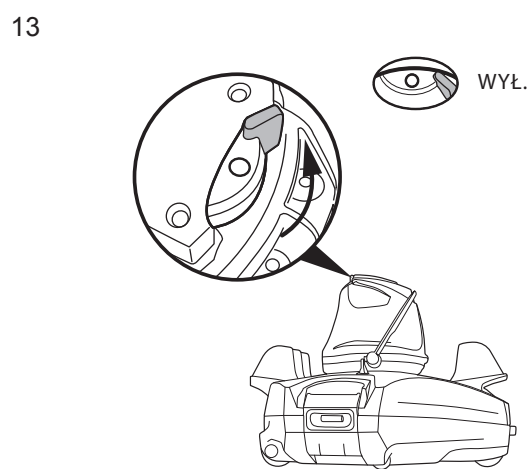
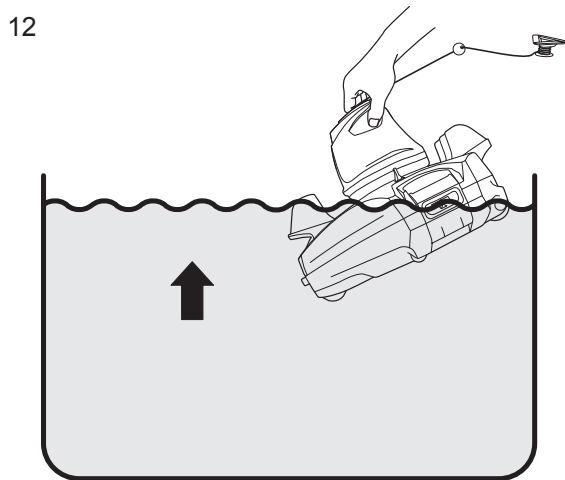
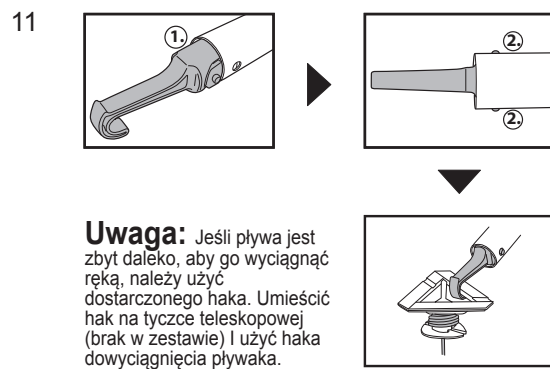
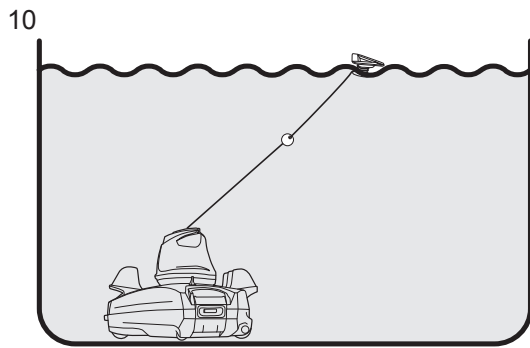
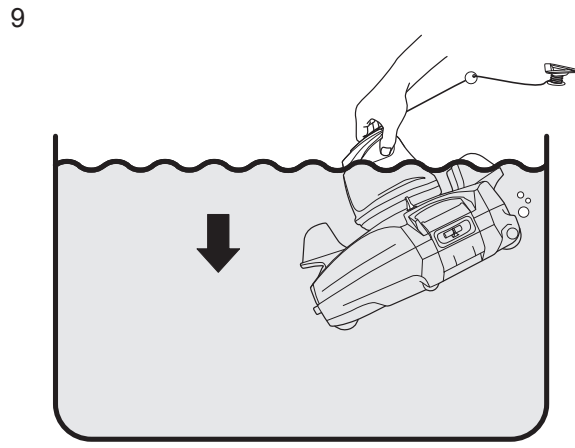
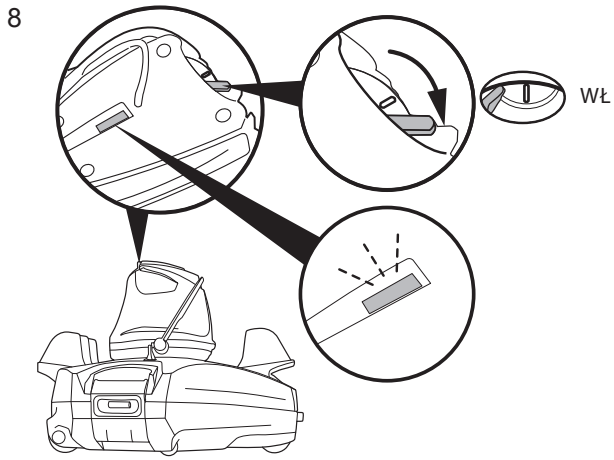
### OSTRZEŻENIE dotyczące ładowania

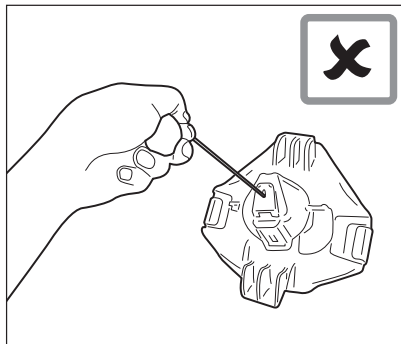
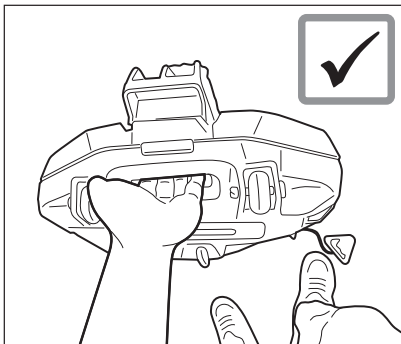
- Należy używać tylko oryginalnego zasilacza zewnętrznego i dołączonego kabla do ładowania.
- Przed ustawieniem upewnij się, że robot i złącze ładowania są czyste i suche.
- Upewnij się, że robot jest wyłączony przez przesunięcie przełącznika do pozycji OFF (WYŁ.) przed ładowaniem.
- Pełne naładowanie robota przed pierwszym użyciem zajmie 5-8 godzin.
- Wskaźnik zasilania: Nie świeci się – Zasilanie wyłączone/Brak zasilania  
Świeci się – zasilanie włączone  
Miga – Akumulator wyczerpie się w ciągu 10 minut.

**Uwaga:** Po rozpoczęciu ładowania odkurzacza lampka na zewnętrznym zasilaczu zaświeci się na czerwono. Gdy robot jest prawie w pełni naładowany, wskaźnik zaświeci się na zielono.

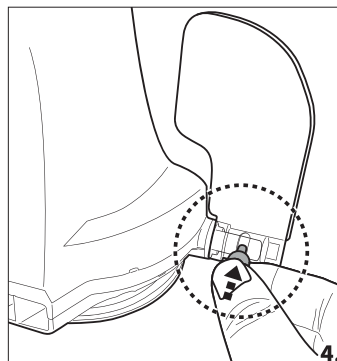
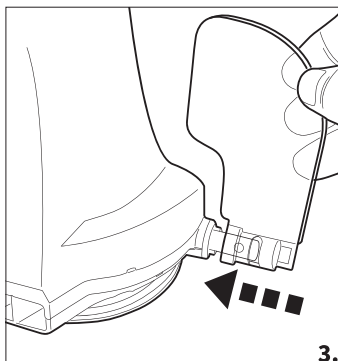
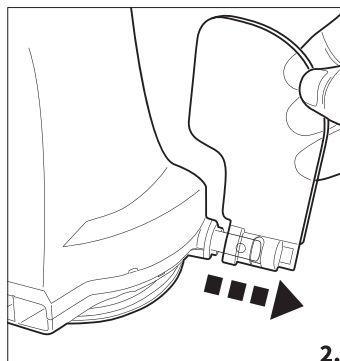
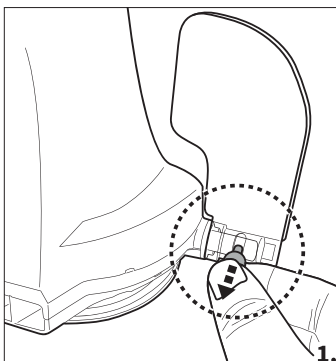


**Uwaga:** Podważyć, aby odłączyć pokrywę pływaka, zwolnić linę z pływaka do głębokości wody basenowej plus około 0,5 m (19,7”).





## Wymiana klap



## Konserwacja i przechowywanie

1. W trakcie przechowywania akumulator samoistnie się rozładowuje. Przed przechowywaniem należy całkowicie naładować robota.

2. Jeśli robot nie jest używany, należy ładować akumulator co najmniej raz na trzy miesiące.

• Odłącz zasilacz zewnętrzny od gniazda, a następnie odłącz kabel ładowarki od zewnętrznego zasilacza i robota.

• Odłączyć akcesoria od robota. Jeśli jest to niezbędne, wypłukać robota i akcesoria pod bieżącą wodą. Nie używać DETERGENTU.

• Upewnić się, że przed przechowaniem woda została usunięta z odkurzacza.

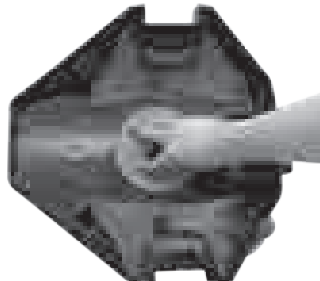
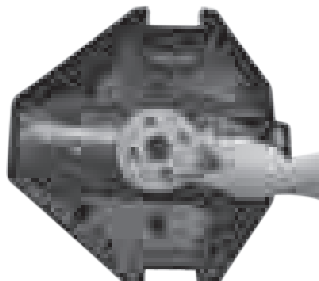
• Użyć wilgotnej szmatki do wyczyszczenia i osuszenia robota i akcesoriów.

• Przechowywać w dobrze wentylowanym, niedostępnym dla dzieci i nienasłonecznionym miejscu, z dala od źródeł gorąca, zapłonu oraz chemii basenowej. Temperatura otoczenia w miejscu przechowywania powinna wynosić od 10°C do 25°C. **UWAGA:** Wyższa temperatura podczas przechowywania może zredukować trwałość akumulatora.

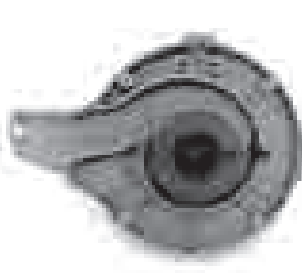
## Demontaż pakietu akumulatora

Rekomendowane przybory (brak w zestawie): Wkrętak.

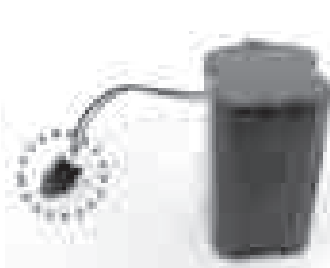
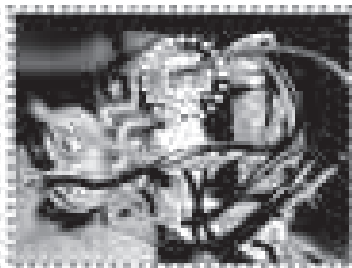
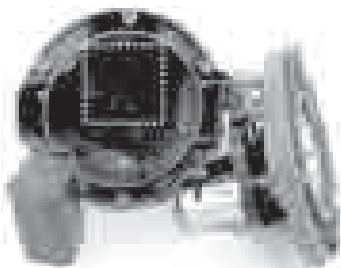
1. Zwolnić pokrywę górną (wstępnie zmontowaną z głowicą obrotową). Obrócić pokrywę dołem do góry i zwolnić głowicę obrotową, obracając dolną płytę blokującą w kierunku przeciwnym do ruchu wskazówek zegara. Zdemontować obrotowy pierścień wygładzający.



2. Użyć wkrętaka do odkręcenia 4 wkrętów znajdujących się w dolnej części głowicy, aby najpierw zwolnić płytę dolną. Użyć wkrętaka do odkręcenia wszystkich wkrętów podstawy, tak jak pokazano. Wymontować wirnik, a następnie podważyć podstawę i zdjąć ją, aby odsonić wnętrze głowicy.



3. Wymontować pakiet akumulatorowy, aby odsłonić PCBA. Aby odłączyć przewód łączący akumulator, nacisnąć zacisk na złączu, a następnie wyciągnąć go. **UWAGA:** Natychmiast owinąć złącze taśmą izolacyjną z celu uniknięcia zwarcia spowodowanego przez kontakt między obiema końcówkami przewodów.



### UTYLIZACJA

Zużytych produktów elektrycznych nie należy wyrzucać razem z odpadami domowymi. Zużyty produkt oddaj do miejsca zajmującego się recyklingiem. Skontaktuj się z lokalnymi władzami lub sprzedawcą w celu uzyskania porady na temat recyklingu.

## ROZWIĄZYWANIE PROBLEMÓW

Problem	Możliwa przyczyna	Rozwiązanie
Robot nie zbiera zanieczyszczeń.	Bateria się wyczerpuje	Naładować akumulator ponownie.
	Wirnik jest zablokowany.	Wyłącz robota i sprawdź otwór pod głowicą obrotową, aby sprawdzić, czy wirnik nie zakleszczył się przez duże zanieczyszczenia. Aby uzyskać pomoc, odwiedź sekcję pomocy technicznej na naszej stronie internetowej, <a href="http://www.bestwaycorp.com">www.bestwaycorp.com</a> . <b>OSTRZEŻENIE!</b> Upewnij się, że robot jest wyłączony przed serwisowaniem urządzenia.
	Otwór ssący jest zatkany	Usuń przedmioty z otworu ssącego.
	Wirnik jest zepsuty	Aby uzyskać pomoc, odwiedź sekcję pomocy technicznej na naszej stronie internetowej, <a href="http://www.bestwaycorp.com">www.bestwaycorp.com</a> .
	Komora na śmieci jest pełna	Wyczyść komorę na zanieczyszczenia i pokrywę filtra.
Robot przestał się poruszać na środku basenu, ale głowica obrotowa nadal się obraca	Robot zatrzymany przez przeszkodę lub duże fałdy w poszyciu basenu	Sprawdź, czy coś nie przeszkadza w czyszczeniu. Usuń przeszkodę.
	Robot jest zatrzymywany przez zasysanie z głównego spustu w podłodze basenu	Wyłącz system filtracji zgodnie z instrukcją.
Głowica obrotowa obraca się wielokrotnie	Powietrze uwięzione wewnątrz robota	Głowica obrotowa może obracać się wielokrotnie przez kilka minut, gdy robot opadnie na dno basenu. Zjawisko to ustanie, gdy powietrze uwięzione wewnątrz robota będzie stopniowo rozładowywane, a robot zacznie się regularnie poruszać.
Robot nie obejmuje całego basenu	Komora na zanieczyszczenia jest pełna	Oczyść komorę na zanieczyszczenia
	Czas działania jest krótszy niż oczekiwano	Wyczyść komorę filtra i ładuj robota przez 6 godzin
	Kierunek ruchu jest zakłócany przez obieg wody generowany przez system filtracyjny	Wyłącz system filtracji (zgodnie z instrukcją filtracji) co najmniej 15 minut przed uruchomieniem robota.
	Koło jest zablokowane	Sprawdź i usuń zanieczyszczenia z koła.
	Pozycja sworznia blokującego nie jest ustawiona prawidłowo.	Postępuj zgodnie z instrukcją, aby dostosować położenie sworznia blokującego.
	Algi powodują śliskość dna basenu, co powoduje, że robot krąży w kółko	Wyszoruj dno basenu i koła robota, aby usunąć glony
Robot porusza się wzdłuż ściany basenu	Położenie sworznia blokującego nie jest ustawione prawidłowo / kierunek zwrócenia robota jest na początku niewłaściwy	Postępuj zgodnie z instrukcją, aby dostosować ustawienie sworznia blokującego. Na początku upewnij się, że przód / tył robota są skierowane w stronę ściany basenu.
Robot porusza się powoli lub wcale się nie porusza	Komora na zanieczyszczenia jest pełna lub pokrywa filtra jest zatkana	Oczyść komorę na zanieczyszczenia. Przepłucz osłonę wodą, aby usunąć małe cząsteczki. Jeśli szczoteczka jest niezbędna, użyj miękkiej szczoteczki do delikatnego czyszczenia osłony. <b>Uwaga:</b> upewnij się, że pokrywa filtra jest na miejscu przed kolejną operacją
	Otwór ssący jest zatkany	Usuń przedmioty z otworu ssącego
	Wirnik jest zablokowany	Wyłącz robota i sprawdź otwór pod głowicą obrotową, aby sprawdzić, czy wirnik nie zakleszczył się przez duże zanieczyszczenia. Aby uzyskać pomoc, odwiedź sekcję pomocy technicznej na naszej stronie internetowej, <a href="http://www.bestwaycorp.com">www.bestwaycorp.com</a> . <b>OSTRZEŻENIE!</b> Upewnij się, że robot jest wyłączony przed serwisowaniem urządzenia.

Głowica obrotowa nie obraca się lub obraca zauważalnie wolniej	Kłapa boczna nie podnosi się	Sprawdź i usuń wszelkie zanieczyszczenia, które utrudniają ruch kłapy.
	Dół głowicy obrotowej jest zablokowany	Odłącz głowicę obrotową i pierścień wygładzający zgodnie z instrukcjami w rozdziale „Jak wyjąć akumulator” z instrukcji, a następnie: - Usuń uwięzione zanieczyszczenia - Sprawdź, czy pierścień wygładzający i dolna płyta są prawidłowo zainstalowane (patrz poniższe schematy) - Sprawdź pierścień wygładzający pod kątem potencjalnych uszkodzeń i zużycia. W razie potrzeby wymień na nowy
Z robota uciekają zanieczyszczenia	Kłapa otworu ssącego (na spodzie) jest uszkodzona	Kłapa wylotu ssącego działa jak drzwi, aby zapobiec wydostawaniu się zanieczyszczeń z przedziału na odpady. Aby uzyskać pomoc, odwiedź sekcję pomocy technicznej na naszej stronie internetowej, <a href="http://www.bestwaycorp.com">www.bestwaycorp.com</a> .
	Zanieczyszczenia zablokowane przy otworze ssącym uniemożliwiają zamknięcie kłapy	Usuń zablokowane zanieczyszczenia z otworu ssącego.
Zanieczyszczenia wyciekają na zewnątrz przy pokrywie filtra	Siatka osłony filtra jest uszkodzona	Wymień na nową pokrywę filtra. Aby uzyskać pomoc, odwiedź sekcję pomocy technicznej na naszej stronie internetowej, <a href="http://www.bestwaycorp.com">www.bestwaycorp.com</a> .
Okrągły pływak tonie	Pływak jest zepsuty i woda dostaje się do środka	Wymień na nowy pływak. Aby uzyskać pomoc, odwiedź sekcję pomocy technicznej na naszej stronie internetowej, <a href="http://www.bestwaycorp.com">www.bestwaycorp.com</a> .
Działanie robota trwa krócej niż reklamowano	Akumulator nie jest w pełni naładowany	Ładuj robota przez co najmniej 6 godzin.
Robota nie można naładować / ładować	Akumulator jest uszkodzony	Aby uzyskać pomoc, odwiedź sekcję pomocy technicznej na naszej stronie internetowej, <a href="http://www.bestwaycorp.com">www.bestwaycorp.com</a> . <b>OSTRZEŻENIE!</b> NIE wymieniać baterii samodzielnie. Może to spowodować ciężkie lub śmiertelne obrażenia, w wyniku czego gwarancja zostanie unieważniona.
	Baza ładująca nie jest całkowicie połączona z zewnętrznym adapterem i robotem	Upewnij się, że podstawa ładowarki jest prawidłowo i całkowicie podłączona do zewnętrznego adaptera i robota. Patrz instrukcja obsługi.
	Zewnętrzny adapter nie działa	Aby uzyskać pomoc, odwiedź sekcję pomocy technicznej na naszej stronie internetowej, <a href="http://www.bestwaycorp.com">www.bestwaycorp.com</a> . <b>OSTRZEŻENIE!</b> Użycie niewłaściwego zewnętrznego adaptera spowoduje uszkodzenie robota / akumulatora i unieważnienie gwarancji.



## HASZNÁLATI ÚTMUTATÓ

Látogass meg a Bestway YouTube-csatornáját 

### FONTOS BIZTONSÁGI UTASÍTÁSOK

A KÉSZÜLÉK HASZNÁLATA ELŐTT OLVASSA EL FIGYELMESEN AZ ALÁBBI BIZTONSÁGI FIGYELMEZTETÉSEKET ÉS UTASÍTÁSOKAT, ILLETVE ŐRIZZE MEG KÉSŐBBI REFERENCIA CÉLJÁBÓL

- Ez nem JÁTÉK! Tartsa távol a gyermekeket a robottól és annak tartozékaitól.
- Soha ne hagyja, hogy gyermekek működtessék a terméket.
- Ez a robot nem használható fizikailag, érzékszervileg vagy szellemileg korlátozott, továbbá a kellő tapasztalattal vagy tudással nem rendelkező személyek által, kivéve ha a készülék biztonságos használatával kapcsolatosan útmutatást kaptak, és a biztonságukért felelős személy felügyeli őket.
- Az üzemeltetés megkezdése előtt bizonyosodjon meg arról, hogy a robot teljes mértékben vízben található. A robot működtetéséhez szükséges minimális vízszint esetén a víznek a robot forgófeje fölött kell lennie. Ha a robotot úgy üzemelteti, hogy az nincsen teljes mértékben vízbe merítve, az a robot károsodásához vezethet, és a jótállást is érvényteleníti.
- A maximális üzemi vízmélység 3 méter (10 láb).
- Üzemi vízhőmérséklet: 5 °C (41 °F) - 35 °C (95 °F).
- Az akkumulátor töltéséhez kizárólag a robothoz mellékelt, leválasztható tápegységet (külső adaptert) használja.
-  Leválasztható tápegység (külső adapter).
- Az akkumulátor feltöltéséhez kizárólag a készülékhez mellékelt, leválasztható tápegységet (külső adaptert: DSS18-0842000-B / DSS18-0842000-C) és töltőfoglatot használja.
- **FIGYELMEZTETÉS** - Ez a készülék 8 éves kortól használható, illetve a fizikailag, érzékszervileg vagy szellemileg korlátozott, továbbá a kellő tapasztalattal vagy tudással nem rendelkező személyek a készüléket csak felügyelet mellett, vagy a készülék biztonságos használatával kapcsolatos ismeretek megszerzését és a járulékos veszélyek megértését követően használhatják. A gyermekek nem játszhatnak a készülékkel. A tisztítást és felhasználó által végzendő karbantartást gyermekek csak felügyelettel végezhetik. (EU-s piacra szánt termék esetén)
- **FIGYELMEZTETÉS** - Ez a készülék nem használható fizikailag, érzékszervileg vagy szellemileg korlátozott,

- továbbá a kellő tapasztalattal vagy tudással nem rendelkező személyek (és gyermekek) által, kivéve felügyelet mellett, vagy ha a készülék biztonságos használatával kapcsolatosan útmutatást kaptak egy, a biztonságukért felelős személytől. A gyerekeket felügyelni kell, hogy ne hagyják a készülékkel. (EU-n kívüli piacra szánt termék esetén)
- Maradékáram-működtetésű megszakítón (RCD) / áram-védőkapcsolón (GFCI) keresztül csatlakoztassa a külső adaptert az áramellátáshoz. Bármilyen kétely felmerülése esetén forduljon szakképzett, engedéllyel rendelkező villanyszerelőhöz.
- Ne használja a robotot, ha bármilyen sérülés észlelhető a terméken.
- A sérült alkatrészeket cserélje, amint lehetséges. Csak a forgalmazó vagy gyártó által tanúsított alkatrészeket használjon.
- A robot töltőfoglatról való levétele előtt kapcsolja ki a készüléket, váltsa le a külső adaptert az áramellátásról, majd a töltőfoglatról.
- A felhasználói karbantartási munkálatok (pl. szűrőtisztítás) előtt váltsa le a szivattyút a hálózati áramellátásról.
- A termékben újratölthető Li-ion akkumulátorcsomag található. Soha ne próbálja meg kicserélni ezt a terméket.
- A robot kizárólag a termékhez mellékelt külső adapterrel és töltőfoglattal tölthető.
- NE fogja meg a robotot, külső adaptert vagy töltőfoglatot töltés közben vizes kezekkel és cipő nélkül.
- Ne használja a robotot, ha emberek / házi kedvencek vannak a vízben.
- NE használja a robotot, ha a szűrő sérült, vagy nincs a helyén, ellenkező esetben a jótállás érvényét veszti.
- Szívás miatti beszorulás veszélye: A robot szívóhatást fejt ki. Ne hagyja, hogy üzem közben a robot szívófuratával kerüljön kapcsolatba a haja, teste vagy ruházatának bármely laza része.
- Soha ne hagyja, hogy testrészei, ruházata vagy egyéb tárgyak a robot nyílásaiba vagy mozgó részei közé kerüljenek.
- NE használja a robotot mérgező anyag, gyúlékony vagy éghető folyadék (pl. gázolaj) összegyűjtésére, illetve robbanásveszélyes vagy tűzveszélyes gőzök jelenlétében.
- Semmilyen körülmények között se tegyen kísérletet a robot szétszerelésére, a forgórész, a motor vagy az akkumulátor otthoni cseréjére.
- Soha ne helyezzen be semmilyen tárgyat vagy ujjait a forgórész megérintéséhez.
- A robotot nem üzemeltethetik gyerekek.
- Az akkumulátort távolítsa el a robot kiselejtezése előtt.
- A robot olyan akkumulátort tartalmaz, amelyet kizárólag szakképzett személyzet távolíthat el.
- A robotot az akkumulátor eltávolítása előtt le kell választani a hálózati áramellátásról.
- Az akkumulátor ártalmatlanításával kapcsolatos részletek ügyében lásd a kézikönyv „Az akkumulátor ártalmatlanítása” szakaszát.
- Az akkumulátort kötelezően biztonságos módon és a helyi előírásoknak vagy jogszabályoknak megfelelően ártalmatlanítsa.

- A robot gondozásmentes, újratölthető, lítium-ionos akkumulátorcsomagot tartalmaz, amely kötelezően megfelelő ártalmatlanításra szorul. Újra kell hasznosítani, ezért, kérjük, további tájékoztatásért forduljon a helyi hatóságokhoz.
- Külső adapter és töltőfoglat:
  - A robot akkumulátorának a töltésén kívül soha ne használja másra az említett akkumulátorhoz mellékelt adaptert és töltőfoglatot.
  - A külső adapter és a töltőfoglat nem használható kültéren, illetve ne tegye ki esőnek, nedvességnek, folyadéknak vagy hőnek.
  - Az áramátalakítót (vagy külső adaptert) az 1. zónán kívül helyezze el.
  - A külső adaptert és töltőfoglatot tartsa gyermekektől távol.
  - Soha ne használja a külső adaptert vagy a töltőfoglatot, ha bármilyen sérülés észlelhető a terméken.
  - NE érjen nedves kézzel a külső adapterhez és a töltőfoglathoz.
  - Ha nem használja, válassza le a külső adaptert az áramellátásról.
  - Soha ne próbálja meg felnyitni a külső adaptert.
  - A tápkábel sérülése esetén a sérült kábelt bármilyen veszély elkerülése érdekében a gyártóval, a gyártó szervizügynökségével vagy hasonlóan képzett személlyel ki kell cseréltetni.
  - Töltés előtt bizonyosodjon meg arról, hogy a robot teljesen száraz.

### AZ AKKUMULÁTOR ÁRTALMATLANÍTÁSA:

Az akkumulátor újrahaznosítható alkatrész, ezért tájékoztatás ügyében forduljon a helyi hatósághoz.

- Az akkumulátort a leselejtezés előtt el kell távolítani a medenceporszívóból.
- Az akkumulátor eltávolítása előtt kötelezően válassza le a medenceporszívót a hálózati tápellátásról (elektromos kimenetről).
- Az akkumulátort kötelező módon biztonságos és megfelelő módon selejtezze.

### VIGYÁZAT!

- A robot kizárólag vízalatti használatra készült; nem általános felhasználásra készült porszívó. Medence tisztításán kívül NE használja másra a terméket.
- Kizárólag a termékhez mellékelt eredeti tartozékokat használja.
- NE használja a robotot közvetlenül sokkoló medenceklórozás után. Tanácsos először 24-48 órán keresztül keringtetni a vizet a medencében.
- Ha a robotot sósvízű medencében kívánja használni, bizonyosodjon meg arról, hogy az összes só feloldódott, mielőtt a készüléket a vízbe helyezné.
- Nem javasoljuk a robot és másik automatikus tisztítóberendezés párhuzamos használatát.
- A terméket ne használja kemény, éles tárgyak összegyűjtésére, mivel ezek károsíthatják a robotot és a szűrőt.
- A külső adapter és a töltőfoglat sérülésének az elkerülése érdekében ne tegyen kísérletet a robot hordozására a külső

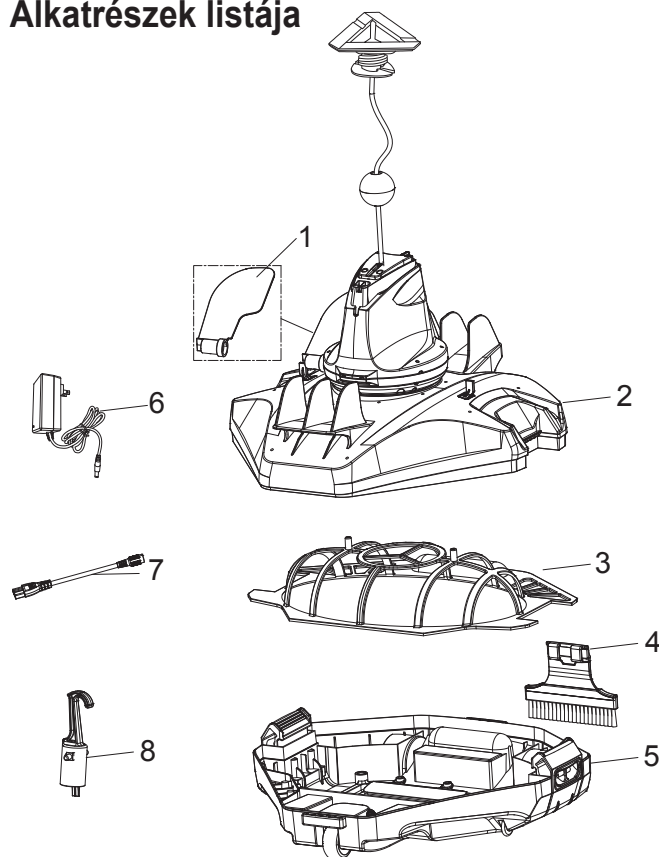
adapter kábelétől fogva, illetve a tápellátásról és töltőfoglatról való leválasztáshoz ne a kábelt húzza.

- A robotot beltéren, száraz, jól szellőző területen töltsse, közvetlen napsugárzástól távol.
- NE hagyja a robotot töltődni 10 óránál hosszabb ideig.
- Ha a robotot hosszabb ideig nem kívánja használni, válassza le a töltőfoglatról, tisztítsa meg a készüléket nedves törülközővel, majd szárítsa meg a robotot és a tartozékait. Tárolás előtt bizonyosodjon meg arról, hogy a robot akkumulátorának a töltöttsége megközelítőleg 30% és 50% közötti. Jól szellőző helyen, napfénytől, hőforrásoktól, szikraforrástól, medencei vegyszerektől és gyermekektől védett helyen tárolja. Háromhavonta töltsse újra a robotot.
- A forgófej szétszerelését illető bármilyen műveletet (pl. az akkumulátor eltávolítását) kizárólag szakképzett technikus végezhet.

**A fenti figyelmeztetések nem feltétlenül tartalmazzák az összes lehetséges veszélyt és/vagy súlyos sérülést.** A medence-/fürdőtulajdonosoknak mindig különös elővigyázatossággal és józan ésszel kell használniuk a terméket.

## ŐRIZZE MEG EZT AZ ÚTMUTATÓT

### Alkatrészek listája



Alkatrész száma	Alkatrész kódja	Menny.
1	P05700	1
2	P05626	1
3	P05628	1
4	P05632	1
5	P05627	1
6	P05696	1
7	P03880	1
8	P03879	1

A robot forgófejének az alján vízmozgató fúvóka található. A robot alján a készülék először beszívja a vizet, ez áthalad egy szűrőn, majd távozik a vízmozgató fúvókán keresztül. A fúvókán keresztül távozó víz szolgál előre irányuló meghajtással a robot számára. Amint a robot egy akadályt talál, például a medencefalnak ütközve leáll, az oldalsó fül elfordul, és a forgófej 180°-ot fordul, így a robot ellenkező irányba mozdul el. A robot viszonylag egyenesen halad egyik irányba, míg az ellentétes irányban egy ívet ír le. Mozgás közben a robot feltakarítja a medence alját, összegyűjtve a hulladékokat a rekeszébe.

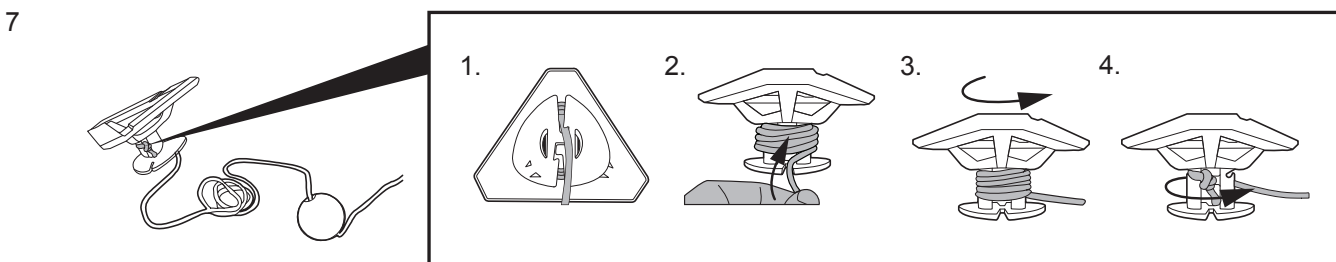
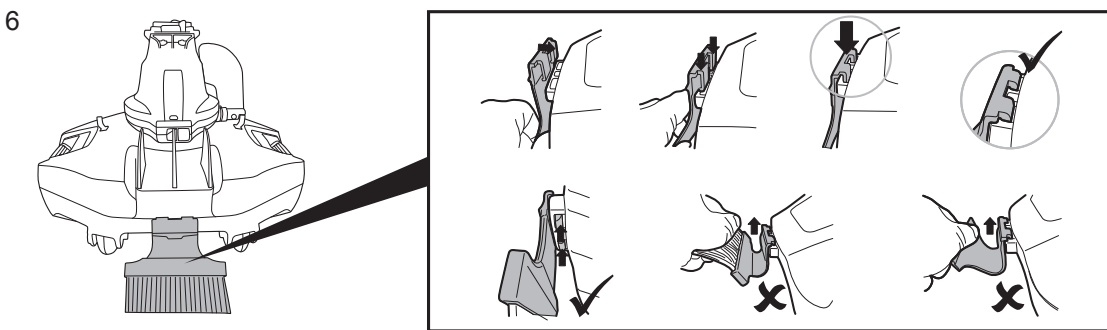
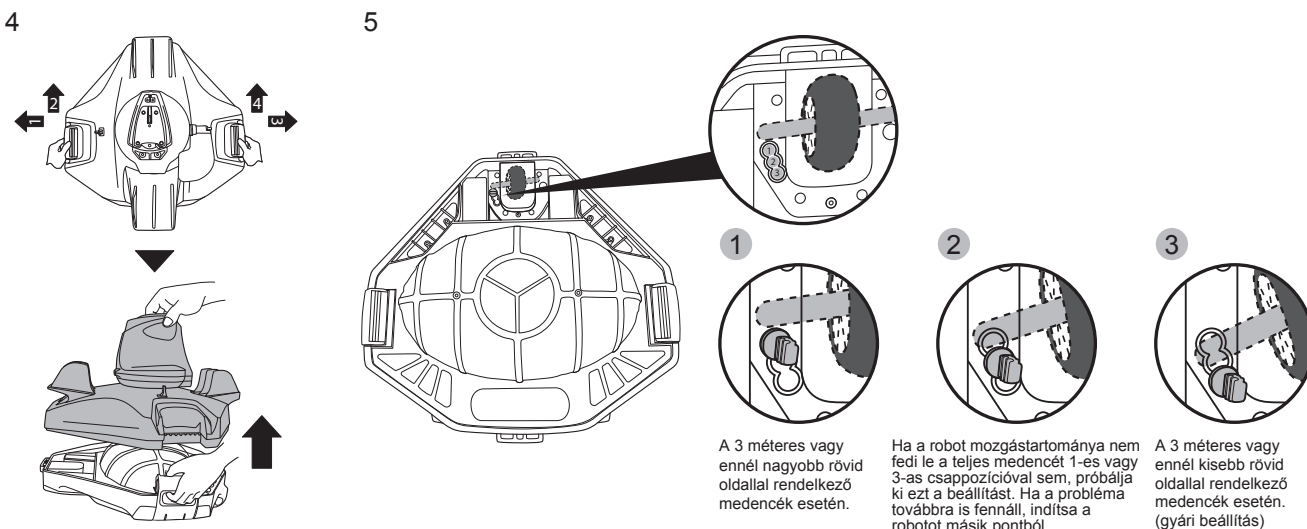
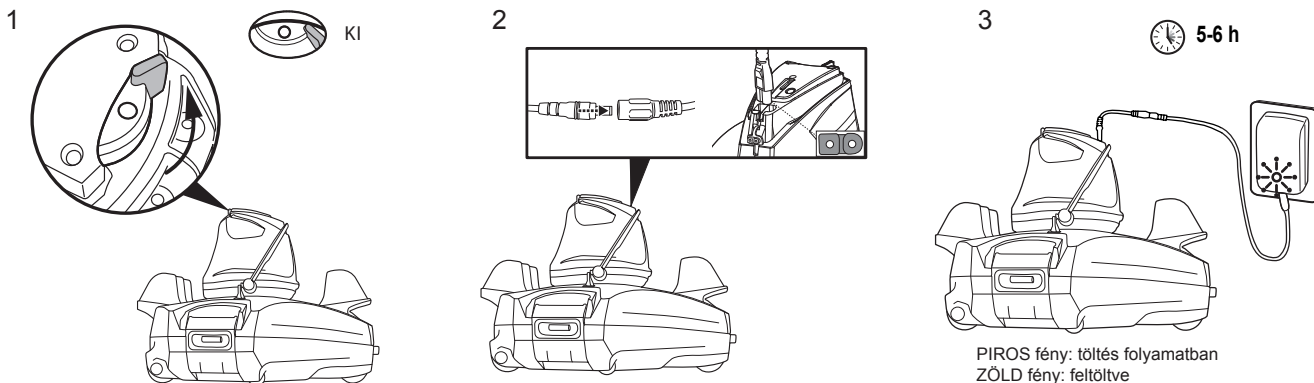


## Összeszerelés és üzemeltetés

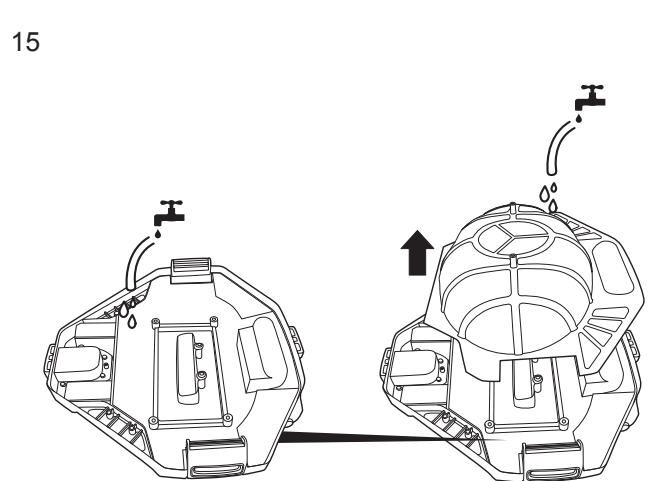
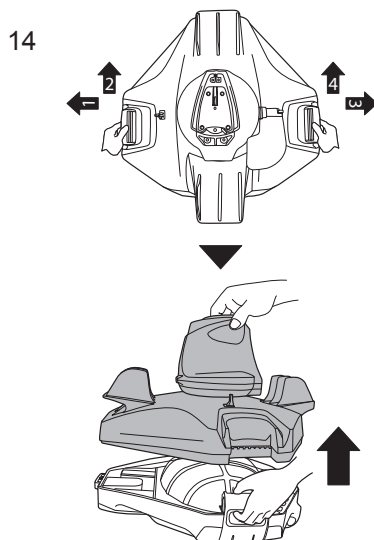
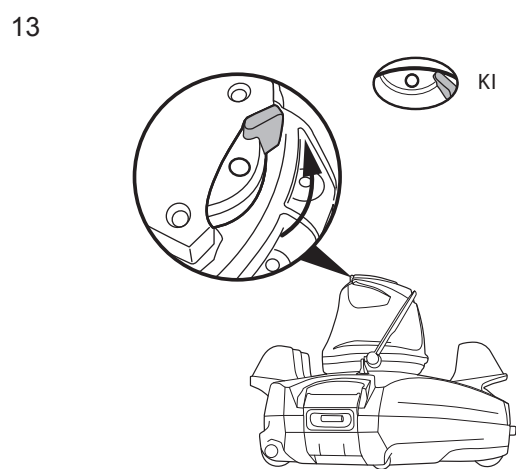
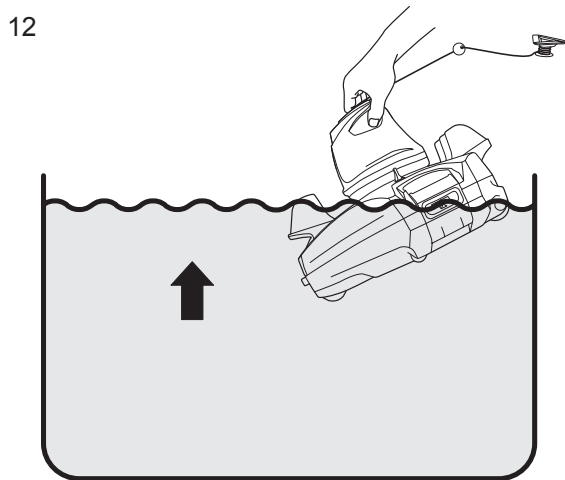
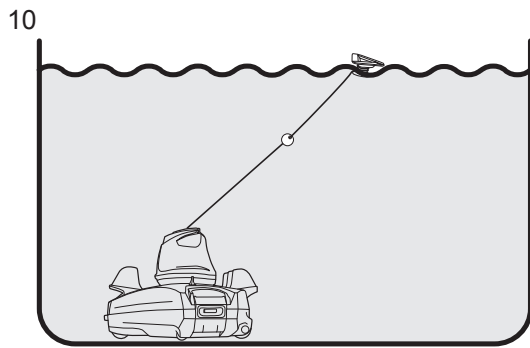
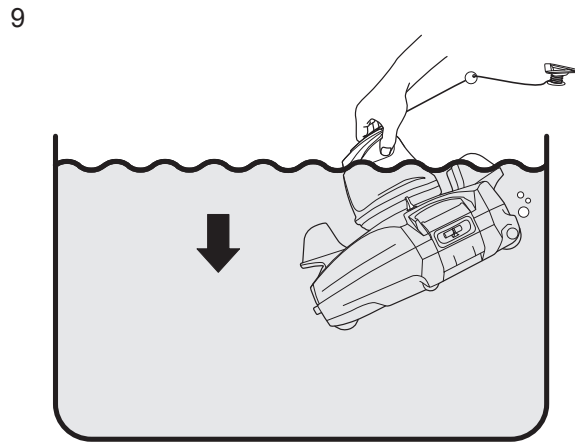
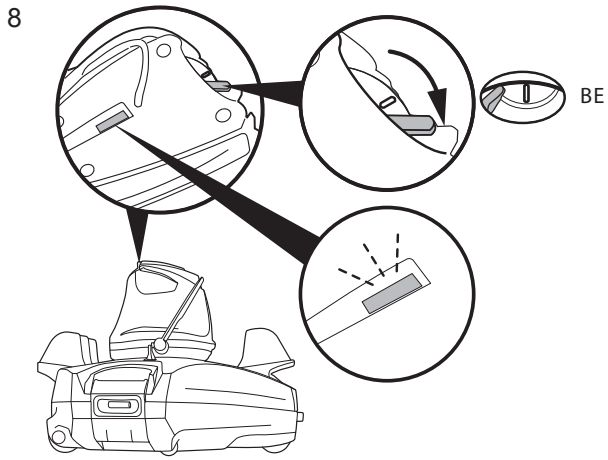
### Töltésre vonatkozó FIGYELMEZTETÉS

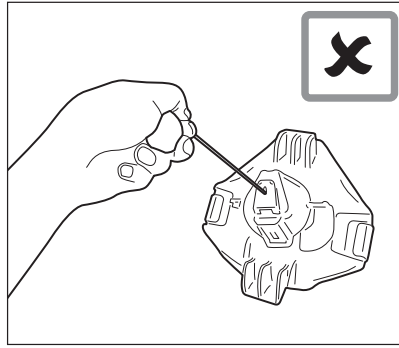
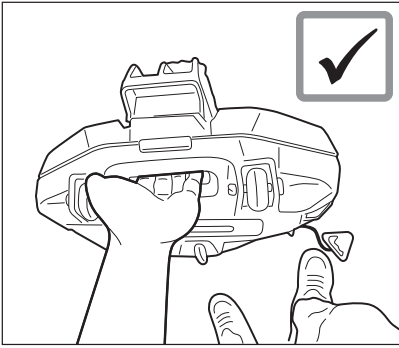
- Kizárólag az eredeti külső illesztőegységet és a mellékelt töltőkábelt használja.
- A töltés megkezdése előtt bizonyosodjon meg arról, hogy a robot és a töltőaljzat száraz és mentes a szennyeződésektől.
- Töltés előtt a kapcsolót csúsztassa OFF (KI) pozícióba, így biztosítva a robot kikapcsolt állapotát.
- Az első használat előtt teljesen töltsse fel a robotot (körülbelül 5-6 óra).
- Töltésjelző fény: Nincs fényjelzés - Tápellátás kikapcsolva / nincs tápellátás  
Világítás - Tápellátás bekapcsolva  
Villogó fényjelzés - Az akkumulátor 10 percen belül lemerül.

**Megjegyzés:** Amint megkezdődik a robot töltése, a külső illesztőegység jelzőfénye piros világításba kezd. Amikor a robot teljes töltöttséghez közeli állapotba kerül, a jelzőfény zöld színre vált.

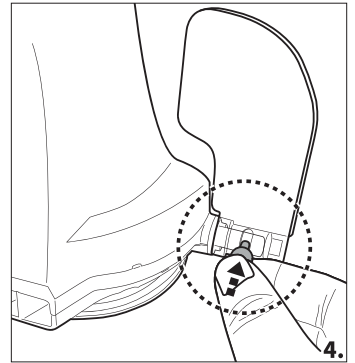
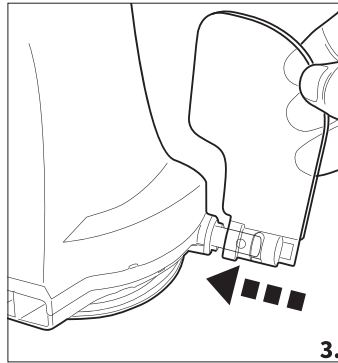
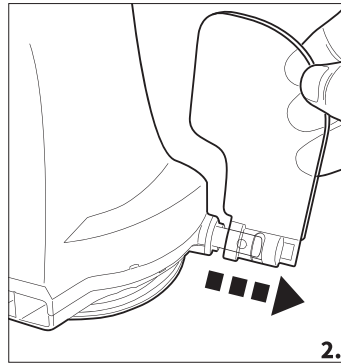
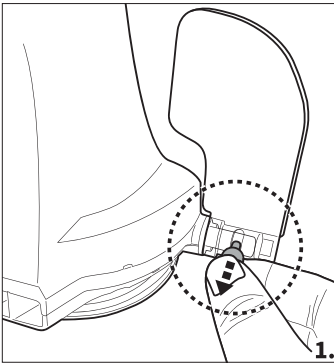


**Megjegyzés:** Feszítse fel az úszó sapkáját, és szabaddíjon fel a vízmélység és az úszó közötti távolság + körülbelül 0,5 méter (19,7 hüvelyk) kötelet.





## Fül cseréje



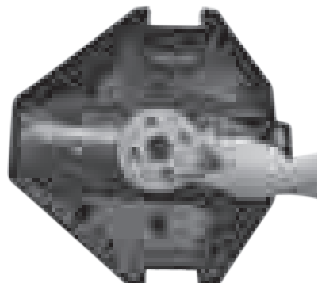
## Karbantartás és tárolás

1. Az akkumulátor a tárolás során magától lemerül. Tárolás előtt mindenképpen töltsé teljesen fel a robotot.
  2. Az akkumulátort kötelezően töltsé fel legalább háromhavonta egyszer, ha a készülék nincs is használatban.
- Válassza le a külső illesztőegységet az aljzatról, majd csatlakoztassa le a töltőkábelt a külső illesztőegységről és a robotról.
  - Válassza le a robotról a tartozékokat. Szükség szerint öblítse át a robotot és a tartozékokat édesvízzel. **NE** használjon tisztítószert.
  - Tárolás előtt engedje le a vizet a robotból.
  - Nedves törölkendővel tisztítsa meg és törölje át a robotot és a tartozékokat.
  - A készüléket és a tartozékait jól szellőző területen tárolja napsugárzástól, hőforrástól, gyújtóforrástól, medencéhez használatos vegyi anyagoktól és gyermekektől távol.
- A tároláshoz 10 °C - 25 °C (50 °F - 77 °F) környezeti hőmérséklet ajánlott. **MEGJEGYZÉS:** Magasabb tárolási hőmérséklet esetén lerövidülhet az akkumulátor élettartama.

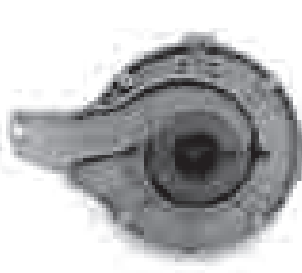
## Az akkumulátorcsomag eltávolítása

Javasolt szerszámok (nem képezik a csomag részét): Csavarhúzó.

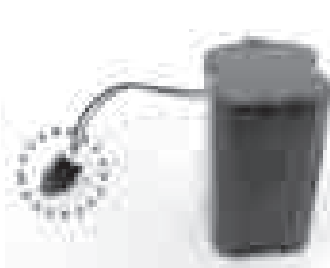
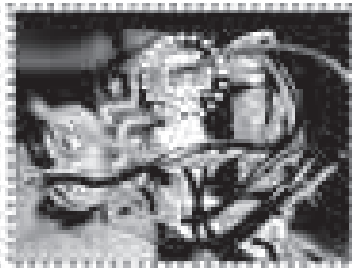
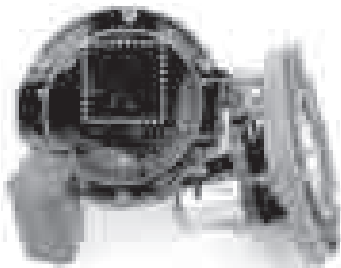
1. Oldja a felső burkolatot (gyárilag a forgófejhez kapcsolódik). Fordítsa a burkolatot fejjel lefelé, és oldja a forgófejet az alsó rögzítőlemez óramutató járásával ellentétes irányba való elfordítással. Távolítsa el a forgássegítő gyűrűt.



2. A csavarhúzó segítségével távolítsa el a fej alsó részén található 4 csavart, így először eltávolítja az alsó lemezt. A csavarhúzó segítségével távolítsa el az alapi rész összes csavarját a képen látható módon. Távolítsa el a lapátkereket, majd feszítse fel az alapi részt, és távolítsa el a fejegység belső részének a feltárásához.



3. Távolítsa el az akkumulátorcsomagot a nyomtatott áramköri lap felfedéséhez. Az akkumulátor csatlakozókábelének a leválasztásához nyomja le a csatlakozón található kengyelt, és húzza ki a csatlakozót. **MEGJEGYZÉS:** A csatlakozót azonnal tekerje be szigetelőszalaggal, hogy megelőzze az egyéb kábelcsatlakozókkal való esetleges érintkezés okozta rövidzárlatot.

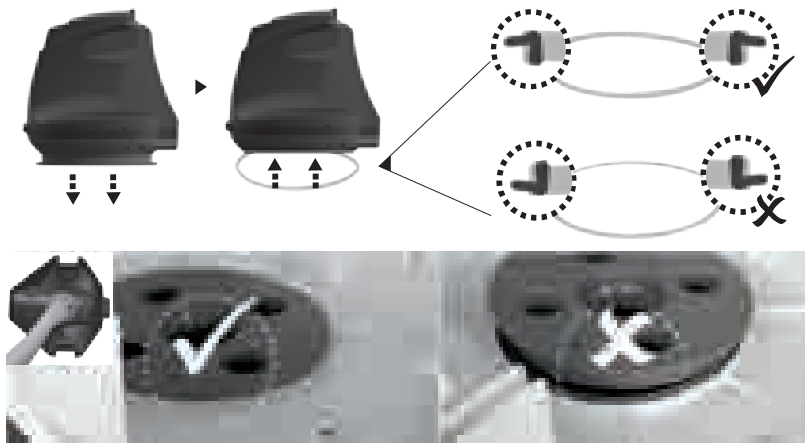


### ÁRTALMATLANÍTÁS

A kiselejtezett elektromos termékek nem képezhetik a háztartási hulladék részét. Éljen az újrahasznosítás lehetőségével, ha elérhetőek a megfelelő létesítmények. Az újrahasznosításra vonatkozó tanácsok tekintetében tájékozódjon az önkormányzatnál vagy a forgalmazónál.

### HIBAELHÁRÍTÁS

Hiba	Lehetséges ok	Megoldás
A robot nem gyűjti össze a hulladékot.	Az akkumulátor lemerülőben van	Töltse fel ismét a robotot.
	A lapátkerék nem forog.	Áramtalanítsa a robotot, és nézze meg a forgófej alatti furatot, hogy a forgórész mozgását nem egy nagyobb törmelékdarab akadályozza-e. Támogatás ügyében látogassa meg a weboldalunk (www.bestwaycorp.com) ügyféltámogatás részét. <b>FIGYELMEZTETÉS!</b> Bizonyosodjon meg arról, hogy a robot ki van kapcsolva, mielőtt javításba kezdene.
	A szívószáj eltömődött	Távolítsa el az eltömődést okozó tárgyakat a szívószájából.
	A forgórész elromlott	Támogatás ügyében látogassa meg a weboldalunk (www.bestwaycorp.com) ügyféltámogatás részét.
	A hulladékrekesz megtelt	Tisztítsa meg úgy a hulladékrekeszt, mint a szűrőfedelelet.
A robot mozgása leállt a medence közepén, de a forgófej még mindig forog	A robot megállt egy akadály vagy a medencebevonat nagy gyűrődései mellett	Ellenőrizze, hogy bármi akadályozza-e a tisztítóberendezés mozgását. Távolítsa el az akadályt.
	A robotot megállítja a medencepadló fő leeresztőszelepeinek a szívóhatása	Kapcsolja ki a szűrőrendszert a kézikönyvben részletezett módon.
A forgófej ismétlődésszerűen forog	Levegő szorult a robotba	A forgófej ismétlődésszerűen foroghat több percig, amint a robot lesüllyed a medence aljára. Ez a jelenség abbamarad, amint a robotba szorult levegő fokozatosan távozik, és a robot mozgása szabályossá válik.
A robot mozgása nem fedi le a teljes medencét	A hulladékrekesz megtelt	Tisztítsa meg a hulladékrekeszt
	Az üzemidő rövidebb a vártnál	Tisztítsa meg a szűrőrekeszt, és töltse a robotot 6 órán keresztül
	A mozgási irányt befolyásolja a szűrőrendszer által generált vízáramlás	Kapcsolja ki a szűrőrendszert (a szűrő útmutatójának megfelelően) legalább 15 perccel a robot üzembe helyezése előtt.
	A kerék beakadt	Ellenőrizze a kereket beszorult hulladékok tekintetében, és távolítsa el azokat.
	A rögzítőcsap helyzete nincs megfelelően beállítva.	Az utasítások követésével állítsa be a rögzítőcsap helyzetét.
A medencepadlón lévő alga miatt a felület csúszós, így a robot köröket ír le		Az alga eltávolításához súrolja át a medencepadlót és a robot kerekeit
A robot a medencefal mentén halad	A rögzítőcsap helyzete nincs megfelelően beállítva / A robot kezdeti irányba állítása helytelen	Az utasítások követésével állítsa be a rögzítőcsapot. Bizonyosodjon meg arról, hogy a robot elülső/hátulsó része a medencefal felé néz már a behelyezéskor.
A robot lassan vagy egyáltalán nem mozog	A hulladékrekesz megtelt, vagy a szűrőfedél eltömődött	Tisztítsa meg a hulladékrekeszt. Az apró részecskék eltávolításához öblítse át vízzel. Ha szükségesnek ítéli meg a kefével való tisztítást, a szűrő gyengéd tisztításához használjon puha kefét. <b>Megjegyzés:</b> a következő művelet előtt bizonyosodjon meg arról, hogy a szűrőfedél a helyén található
	A szívószáj eltömődött	Távolítsa el az eltömődést okozó tárgyakat a szívószájából
	A forgórész beakadt	Áramtalanítsa a robotot, és nézze meg a forgófej alatti furatot, hogy a forgórész mozgását nem egy nagyobb törmelékdarab akadályozza-e. Támogatás ügyében látogassa meg a weboldalunk (www.bestwaycorp.com) ügyféltámogatás részét. <b>FIGYELMEZTETÉS!</b> Bizonyosodjon meg arról, hogy a robot ki van kapcsolva, mielőtt javításba kezdene.

A forgófej nem fordul el, vagy a szokásosnál lényegesen lassabban fordul el	Az oldalsó fül nem lép működésbe	Ellenőrizze az oldalsó fület a mozgását hátráltató bármilyen hulladék tekintetében, és távolítsa el a hulladékot.
	A forgófej alsó része beakadt	Válassza le a forgófejet és a simítógyűrűt a kézikönyv „Az akkumulátorcsomag eltávolítása” részében leírt módon, majd: - Távolítsa el a beragadt hulladékot - Bizonyosodjon meg a simítógyűrű és az alsó lemez megfelelően beszerelt állapotáról (lásd az alábbi ábrákat) - Vizsgálja meg a simítógyűrűt esetleges sérülések, illetve kopás tekintetében. Szükség szerint cserélje egy újjal
		
Törmelék távozik a robotból	A szívószáj zárófüle (a tisztítóberendezés alján) megsérült	A szívószáj zárófüle ajtóként működik, amelyik meggátolja a törmelék távozását a hulladékkezeszből. Támogatás ügyében látogassa meg a weboldalunk ( <a href="http://www.bestwaycorp.com">www.bestwaycorp.com</a> ) ügyféltámogatás részét.
	Hulladék szorult be a szívószájnál, és ez megakadályozza a zárófül működését	Távolítsa el az eltömődést okozó hulladékot a szívószájából.
Hulladék távozik kifelé a szűrőfedélnél	A szűrőfedél hálója megsérült	Cserélje egy új szűrőfedéllel. Támogatás ügyében látogassa meg a weboldalunk ( <a href="http://www.bestwaycorp.com">www.bestwaycorp.com</a> ) ügyféltámogatás részét.
A kerek úszó elsüllyed	Az úszó meghibásodott, és víz kerül bele	Cserélje egy új úszóval. Támogatás ügyében látogassa meg a weboldalunk ( <a href="http://www.bestwaycorp.com">www.bestwaycorp.com</a> ) ügyféltámogatás részét.
A robot üzemideje lényegesen rövidebb, mint a hirdetésben ígért üzemidő	Az akkumulátor nincs teljesen feltöltve	Töltse a robotot legalább 6 órán keresztül.
A robot nem tölthető / nem tölthető újra	Az akkumulátor meghibásodott	Támogatás ügyében látogassa meg a weboldalunk ( <a href="http://www.bestwaycorp.com">www.bestwaycorp.com</a> ) ügyféltámogatás részét. <b>FIGYELMEZTETÉS!</b> NE kísérelje meg az akkumulátor saját kezű cseréjét. Ellenkező esetben súlyos vagy halálos sérülések történhetnek, a jótállás pedig elveszhet.
	A töltőfoglat nem illeszkedik teljesen a külső adapterhez és a robozhoz	Bizonyosodjon meg arról, hogy a töltőfoglat megfelelően és teljesen csatlakozik a külső adapterhez és a robozhoz. Tájékozódjon a használati útmutatóból.
	A külső adapter meghibásodott	Támogatás ügyében látogassa meg a weboldalunk ( <a href="http://www.bestwaycorp.com">www.bestwaycorp.com</a> ) ügyféltámogatás részét. <b>FIGYELMEZTETÉS!</b> Rossz külső adapter használata esetén a robot, illetve annak akkumulátora meghibásodhat, ami a garancia elvesztését eredményezi.




## ÄGARMANUAL

Besök Bestway YouTube kanal 

### VIKTIGA SÄKERHETSANVISNINGAR

LÄS NOGGRANT IGENOM FÖLJANDE SÄKERHETSVARNINGAR OCH INSTRUKTIONER INNAN DU ANVÄNDER ANORDNINGEN OCH SPARA DEM FÖR FRAMTIDA BEHOV

- Detta är inte en LEKSAK. Barn bör inte ha tillgång till denna poolrobot och dess tillbehör.
- Tillåt aldrig barn att använda denna produkt.
- Den här poolroboten är ej avsedd att användas av någon med fysiska, sensoriska eller mentala funktionshinder, eller bristande erfarenhet och kunskap om personen i fråga inte har fått instruktioner gällande anordningen. Personen ska också vara under uppsyn av den som är ansvarig för hens trygghet.
- Se till att poolroboten är helt nedsänkt i vattnet innan du börjar använda den. Den minimala vattennivån som krävs för att driva poolroboten måste vara över poolrobotens vridhuvud. Att köra poolroboten när den inte är korrekt nedsänkt i vattnet kan skada enheten. Detta leder till att garantin upphör att gälla.
- Maximalt arbetsdjup i vatten är 3 meter (10 ft).
- Vattentemperatur för drift: 5 °C (41 °F) - 35 °C (95 °F).
- Använd endast den avtagbara strömförsörjningsenheten som medföljer poolroboten (extern adapter) vid laddning av batteriet.
-  Avtagbar strömförsörjningsenhet (extern adapter).
- Använd endast den avtagbara strömförsörjningsenheten vid laddning av batteri (extern adapter: DSS18-0842000-B / DSS18-0842000-C) och uppladdningsbasen som medföljer poolroboten för batteriladdning.
- **VARNING** - Produkten kan användas av barn som är 8 år eller äldre och personer med försämrad fysisk, sensorisk eller mental förmåga eller brist på erfarenhet eller kunskap om de hålls under uppsikt eller instruerats i hur produkten används på ett säkert sätt så att de förstår riskerna det innebär. Barn ska inte leka med apparaten. Rengöring och underhåll ska inte göras av barn utan tillsyn. (För EU-marknaden)
- **VARNING** - Produkten kan användas av barn som är 8 år

- och äldre och personer med försämrad fysisk, sensorisk eller mental förmåga eller brist på erfarenhet eller kunskap om de hålls under uppsikt eller instruerats i hur produkten används på ett säkert sätt så att de förstår riskerna det innebär. Barn bör hållas under uppsikt så att de inte leker med apparaten. (För annan marknad än EU)
- Anslut den externa adaptern till en strömkälla via en jordfelsbrytare (JFB) eller (GFCI). Om du är osäker, kontakta en kvalificerad, professionell elektriker.
- Använd inte poolroboten om någon skada har upptäckts.
- Byt ut skadade delar så fort som möjligt. Använd endast delar godkända av leverantören eller tillverkaren.
- Stäng av poolroboten, koppla ur den externa adaptern från strömkällan. Koppla bort den externa adaptern från uppladdningsbasen innan du tar loss roboten från uppladdningsbasen.
- Koppla bort pumpen från strömförsörjningen innan du utför något underhåll, såsom rengöring av filter.
- Det installerade batteriet är ett uppladdningsbart litium-jonbatteri. Försök aldrig att byta batteriet i denna produkt.
- Poolroboten ska endast laddas med extern adapter och uppladdningsbas som levereras med produkten.
- Hantera INTE poolroboten, extern adapter och uppladdningsbas med våta armar och ben och utan skor.
- Du bör inte använda denna poolrobot när människor/husdjur befinner sig i vattnet.
- Använd INTE poolroboten utan helt filter på plats. Detta kan leda till att garantin upphör att gälla.
- Risk vid insugningen: Denna poolrobot genererar sug. Låt inte hår, kropp och kläder komma i kontakt med sughålet när poolroboten är i drift.
- Låt aldrig kroppsdelar, kläder och andra objekt komma i närheten av poolrobotens öppningar och rörliga delar.
- Använd INTE poolroboten för att plocka upp några giftiga ämnen, lättantändliga eller brännbara vätskor såsom bensin. Låt inte heller poolroboten komma i närheten av explosiv eller lättantändlig rök.
- Försök inte under några omständigheter ta isär poolroboten för att själv byta ut impeller, motor och batteri.
- För aldrig in något föremål för att röra impellern.
- Poolroboten ska inte användas av barn.
- Batteriet måste avlägsnas från poolroboten innan den kasseras.
- Poolroboten innehåller batterier som endast ska bytas av kunniga personer.
- Poolroboten måste kopplas från strömförsörjningen när batteriet avlägsnas.
- För information angående avyttring av batterier se avsnittet "Avyttring av batteri" i denna bruksanvisning.
- Batteriet måste avyttras på ett säkert sätt och i enlighet med lokala förordningar eller föreskrifter.
- Poolroboten innehåller ett underhållsfritt-, uppladdningsbart litium-jonbatteri som måste kasseras

på rätt sätt. Återvinning krävs; ta kontakt med din lokala myndighet för information.

- Extern adapter och uppladdningsbas:
  - Använd aldrig den externa adaptern och uppladdningsbasen för någonting annat än att ladda poolrobotens batteri (batteriet som medföljer förpackningen).
  - Den externa adaptern och uppladdningsbasen ska inte användas utomhus eller exponeras för regn, fukt, vätska eller värme.
  - Transformatorn (eller extern adapter) ska placeras utanför zon 1.
  - Håll den externa adaptern och uppladdningsbasen utom räckhåll för barn.
  - Använd aldrig den externa adaptern och uppladdningsbasen om någon skada har upptäckts.
  - RÖR INTE den externa adaptern och uppladdningsbasen med blöta händer.
  - Låt den externa adaptern vara fränkopplad från strömkällan när den inte används.
  - Försök aldrig att öppna den externa adaptern.
  - Om elkabeln är skadad måste den bytas ut av tillverkaren, dess serviceombud eller en lika kvalificerad person för att förhindra faror av alla slag.
- . Säkerställ att poolroboten är helt torr innan laddning.

#### AVYTTRING AV BATTERI:

Återvinning krävs; ta kontakt med din lokala myndighet för information.

- Batteriet måste avlägsnas från pooldammsugaren innan det kasseras.
- Pooldammsugaren måste kopplas ifrån strömförsörjningen (elektrisk enhet) när batteriet avlägsnas.
- Batteriet måste kasseras säkert och korrekt.

#### VAR FÖRSIKTIG!

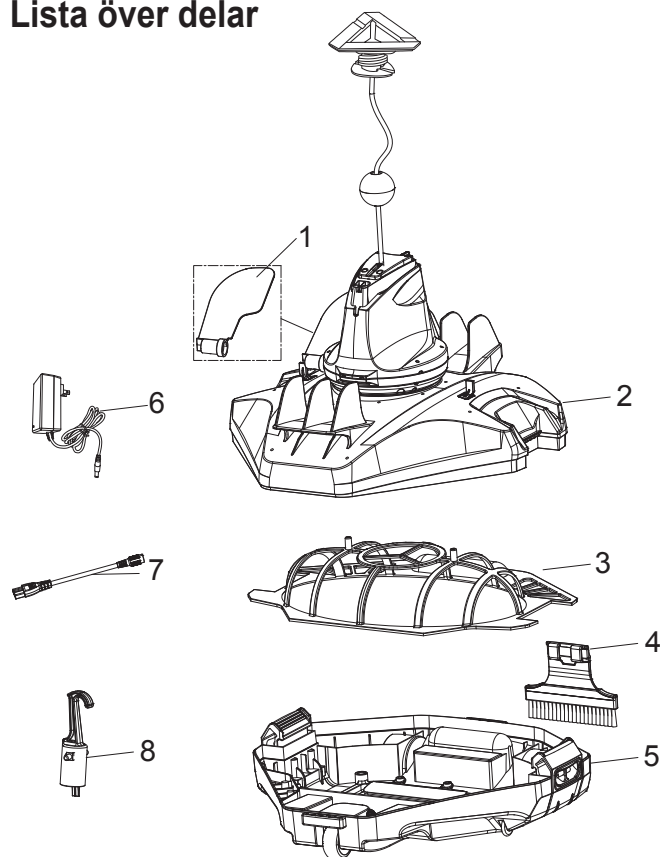
- Den här poolroboten är konstruerad för användning under vatten endast och inte som en dammsugare för andra användningsområden. Den får INTE användas för att göra rent något annat än din pool.
- Använd endast originaltillbehör som levererats med produkten.
- Använd INTE poolroboten direkt efter en chockklorering av poolen. Det rekommenderas att först låta poolcirkulationen vara på i minst 24-48 timmar.
- Om du tänker använda poolroboten i en saltvattenpool, se till att allt salt är upplöst innan du sätter poolroboten i vattnet.
- Vi rekommenderar att inte använda denna poolrobot tillsammans med andra automatiska dammsugare/rengörare.
- Undvik att plocka upp hårda, vassa föremål med denna produkt. Det kan skada poolroboten och filtret.
- För att undvika att skada den externa adaptern och uppladdningsbasen ska poolroboten inte bäras i den externa adapterns kabel. Undvik också att rycka i kabeln för att koppla bort den från strömkällan och uppladdningsbasen.

- Ladda poolroboten inomhus på ett rent, torrt och väl ventilerat ställe, långt från solljus.
- LÅT INTE poolroboten ladda mer än 10 timmar.
- Om poolroboten inte används under en längre tid, koppla bort den från uppladdningsbasen och använd en fuktig trasa för att rengöra och torka poolroboten och dess tillbehör. Var noga med att ladda poolroboten till en batterikapacitet på cirka 30 % till 50 % innan den ställs undan för förvaring. Poolroboten ska förvaras på ett väl ventilerat ställe långt från solljus, värme, antändningskällor, poolkemikalier och barn. Ladda upp poolroboten var tredje månad.
- Alla åtgärder som rör demontering av vridhuvudet (dvs. avyttring av batteri) får endast utföras av en auktoriserad tekniker.

**Ovanstående varningar och försiktighetsåtgärder är inte menade att omfatta alla eventuella risker och/eller allvarliga skador.** Ägare för pooler och spabad bör alltid utöva extra försiktighet och använda sunt förnuft när de använder produkten.

## SPARA DESSA INSTRUKTIONER

### Lista över delar



Del nr.	Artikelkod	ANTAL
1	P05700	1
2	P05626	1
3	P05628	1
4	P05632	1
5	P05627	1
6	P05696	1
7	P03880	1
8	P03879	1

Poolroboten har ett utloppsmunstycke på vridhuvudets undersida. Först sugs vatten in genom sugmunstycket på poolrobotens undersida, genom filtret och flödar sedan ut genom utloppsmunstycket. Vattenflödet från utloppsmunstycket driver poolroboten framåt. När poolroboten stoppar vid hinder som poolväggar, svänger sidoklaffen och vridhuvudet i 180° och gör det möjligt för poolroboten att fortsätta i motsatt riktning. I en riktning rör sig poolroboten i ett generellt rakt mönster, i den andra riktningen rör sig poolroboten i ett bågmönster. Poolroboten dammsuger poolbotten när den rör sig och samlar skräpet i dess behållare.

## Montering och Drift

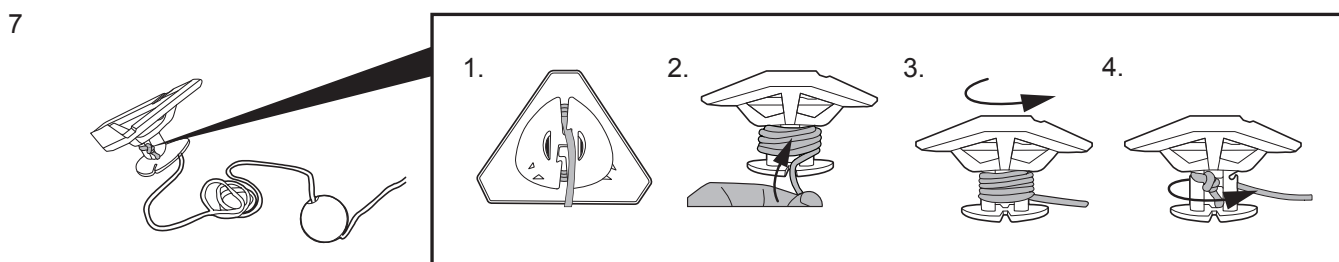
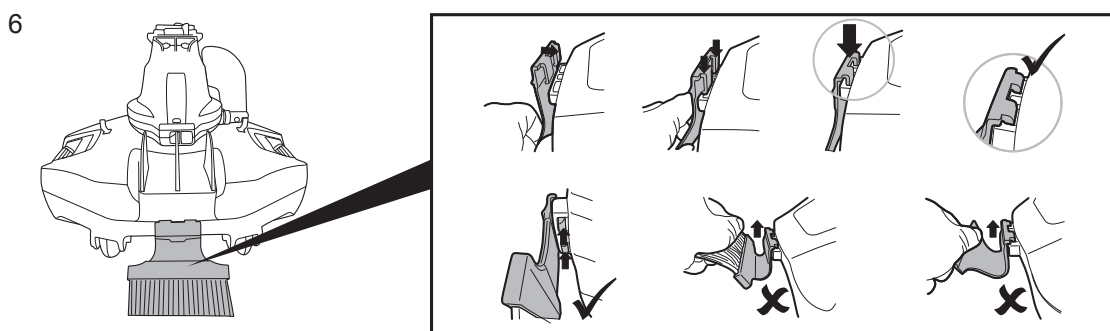
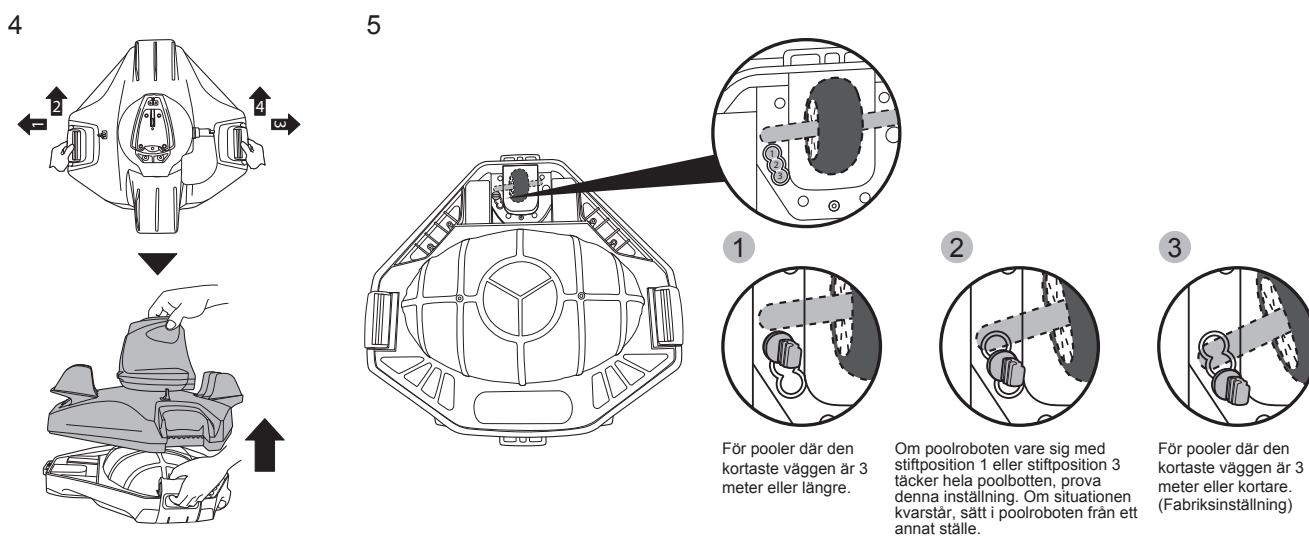
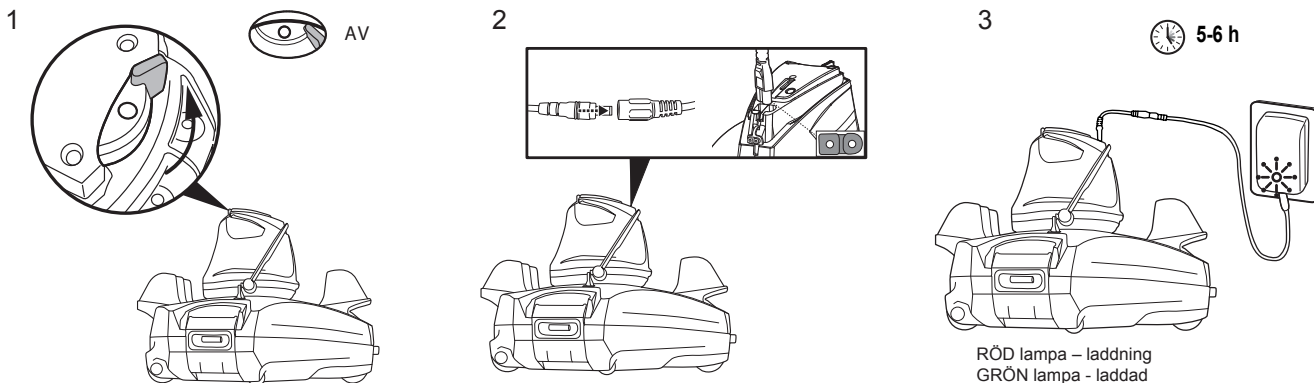
### VARNING vid laddning

- Använd endast originaladapter och medföljande laddkabel.
- Se till att roboten och laddningsporten är rena och torra innan installation.
- Kontrollera att roboten är avstängd genom att skjuta brytaren till OFF-läge före laddning.
- Ladda pooldammsugaren helt i 5-6 timmar innan den används första gången.
- Strömindikatorlampa: Ingen lampa - Ström av / ingen ström

Lampa - Ström på

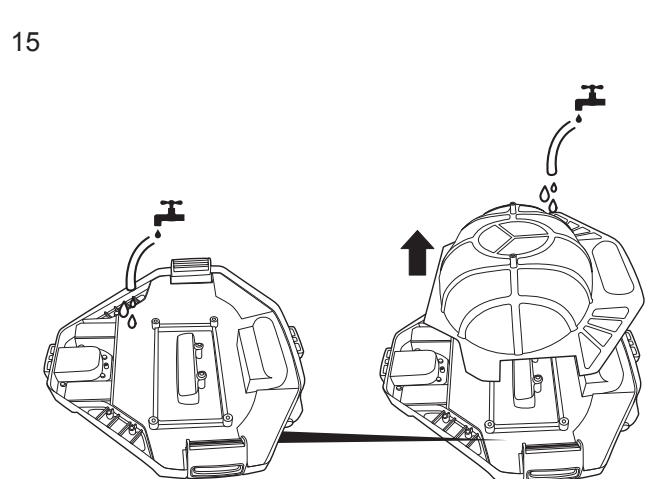
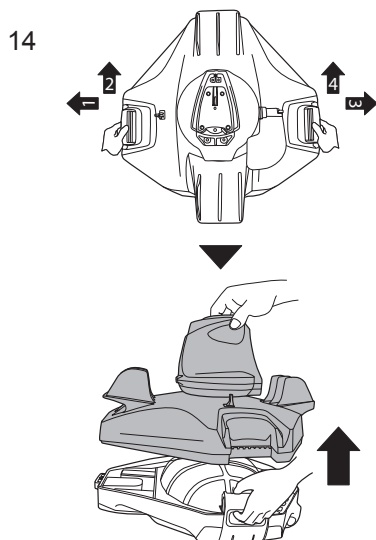
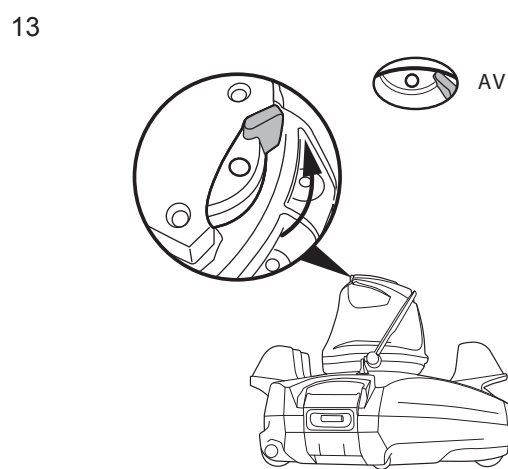
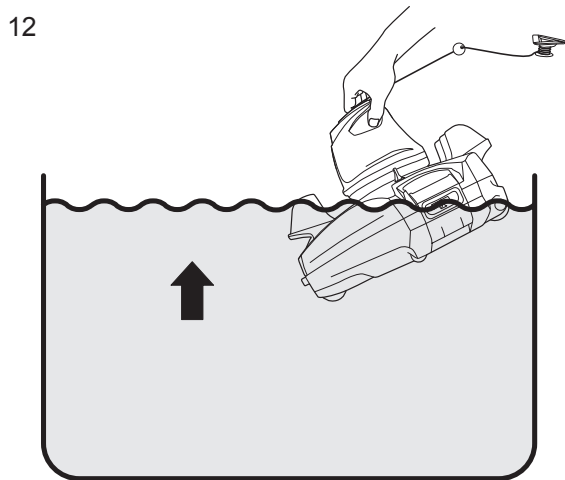
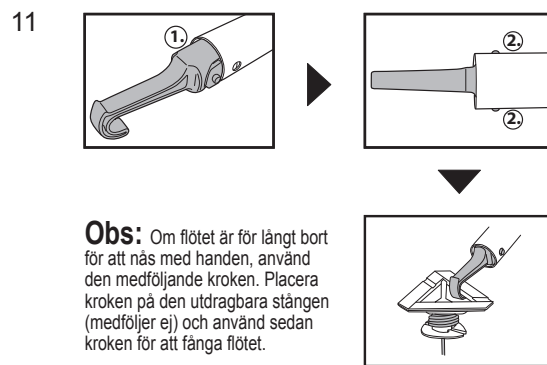
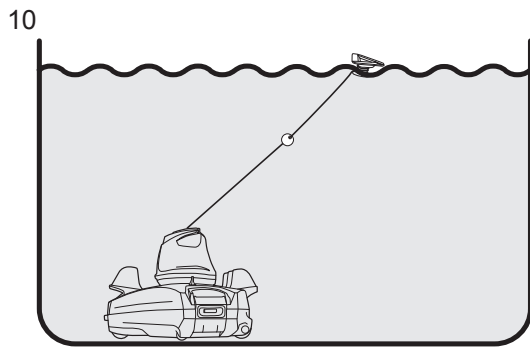
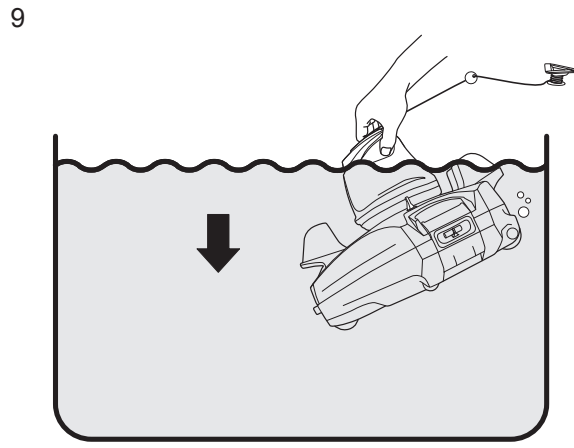
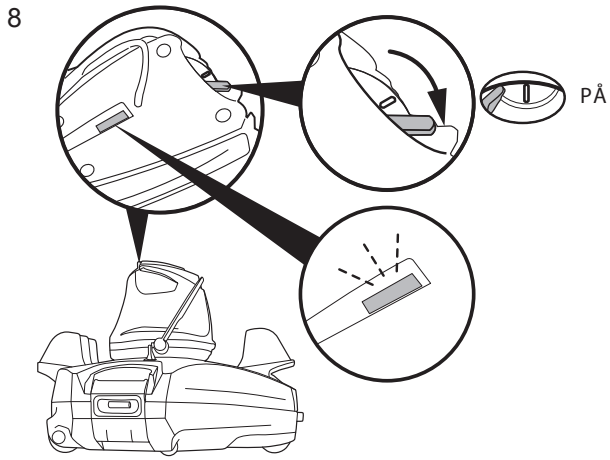
Blinkande lampa - Batteriet laddar ur inom 10 minuter.

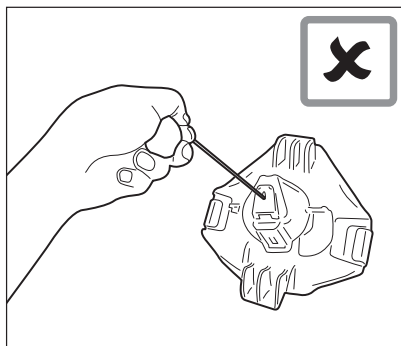
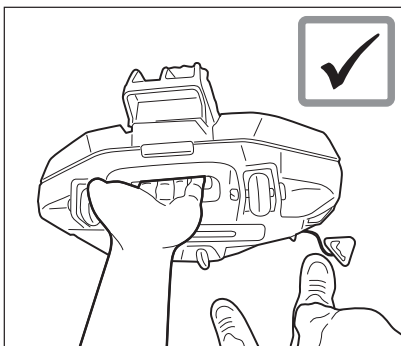
**Obs:** När roboten påbörjar sin laddning, kommer indikeringslampan på den externa adaptern bli röd. När roboten nästan är helt laddad, kommer indikeringslampan bli grön.



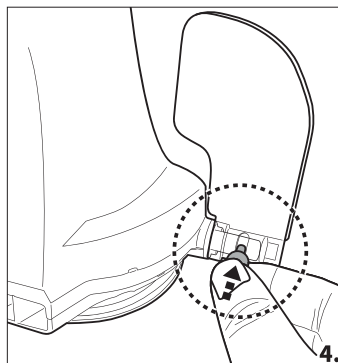
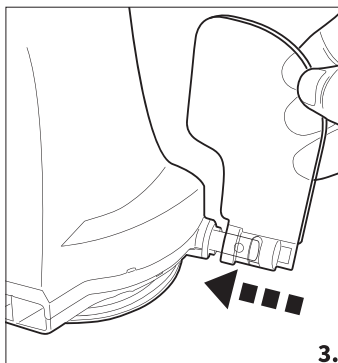
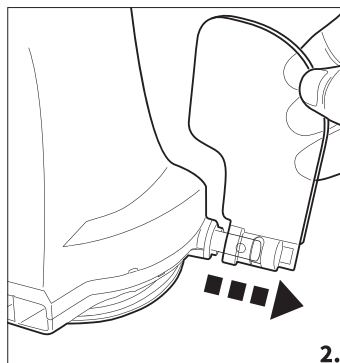
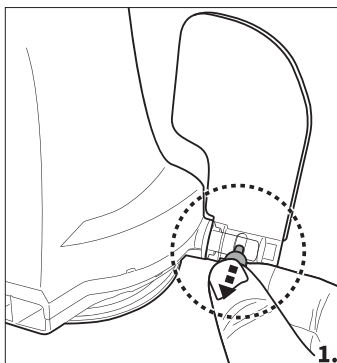
**Obs:** Bänd upp skyddet och lossa repet från flötet ända till djupet i poolvattnet plus ca 0,5 m (19,7 tum).







### Ersätt klaff



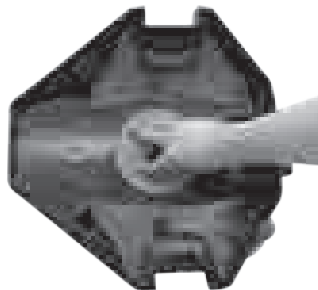
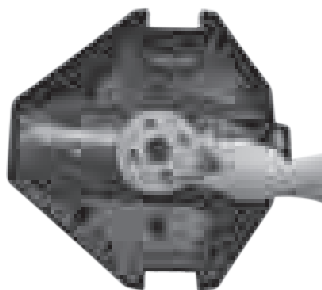
### Underhåll och Förvaring

1. Batteriet laddas ur av sig självt under förvaringen. Se till att pooldammsugaren är fullt laddad innan förvaring.
  2. Du måste ladda batteriet minst en gång var tredje månad när det inte används.
- Koppla ur den externa adaptern ur uttaget och dra sedan ur laddkabeln från den externa adaptern och roboten.
  - Lossa tillbehör från roboten. Skölj av roboten och dess tillbehör med rent vatten om det är nödvändigt. ANVÄND INTE rengöringsmedel.
  - Var noga med att tömma roboten på vatten innan den läggs undan för förvaring.
  - Använd en fuktig duk för att göra ren och torka roboten och dess tillbehör.
  - Förvaras på ett väl ventilerat ställe långt borta från solljus, värme, antändbara källor, poolkemikalier och barn. Rumstemperatur för förvaring ska ligga mellan 10°C - 25°C (50°F - 77°F).
- OBS:** Högre temperaturer under förvaring kan göra att batteriets livslängd förkortas.

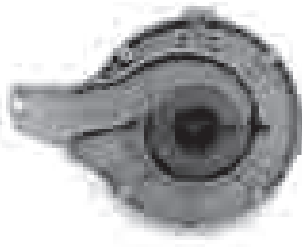
### Hur batteriet ska avlägsnas

Rekommenderade redskap (medföljer ej): Skruvmejsel.

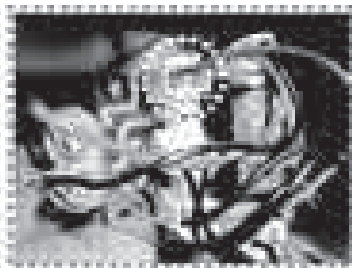
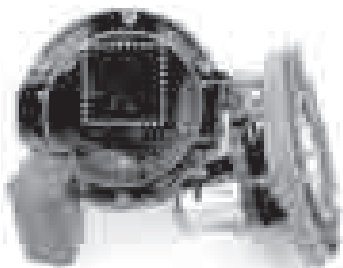
1. Lossa på topphöljat (förmonterad med vridbart huvud) Vänd höljat uppåt och lossa på det vridbara huvud genom att vrida bottenlåsplattan moturs. Lossa på det vridbara huvudets ring.



2. Använd skruvmejseln för att skruva loss de fyra skruvarna på undersidan av huvudet för att lossa bottenplattan först. Använd skruvmejseln för att skruva loss alla skruvar på basen enligt bilden. Ta bort impellern och bänd sedan upp basen och ta bort den för att exponera huvudet inuti.



3. Remove the battery pack to expose the PCBA. To detach the battery connection wire, press the clip on the connector and then pull it out. **NOTE:** Wrap the connector immediately with insulating tape in order to avoid short circuit caused by contact of both wire terminals.

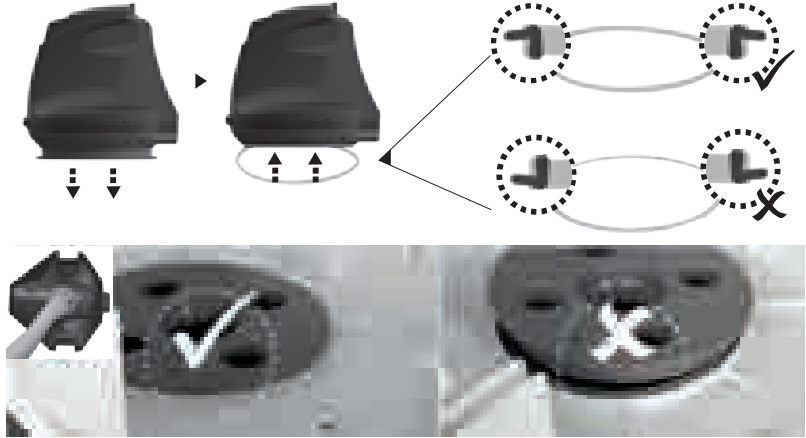


### AVFALLSHANTERING

Elektroniska produkter ska inte kastas tillsammans med hushållsavfall. Lämna in till en återvinningscentral. Kontrollera med din lokala myndighet eller återförsäljare angående återvinning.

### FELSÖKNING

Problem	Möjlig orsak	Lösning
Roboten samlar inte upp skräp.	Batteriet har tagit slut	Ladda roboten igen.
	Impellern har fastnat.	Stäng av poolroboten och titta i hålet under vridhuvudet för att se om impellern har fastnat på grund av större skräpbitar. För assistans, besök hjälpavdelningen på vår webbplats, <a href="http://www.bestwaycorp.com">www.bestwaycorp.com</a> . <b>WARNING!</b> Se till att poolroboten är avstängd innan enheten underhålls.
	Sugmunstycket är igensatt	Avlägsna igentäppande objekt från sugmunstycket.
	Impellern är trasig	För assistans, besök hjälpavdelningen på vår webbplats, <a href="http://www.bestwaycorp.com">www.bestwaycorp.com</a> .
	Skräpbehållaren är full	Rengör både skräpbehållaren och filterhöljet.
Poolroboten slutar röra sig mitt i poolen men vridhuvudet roterar fortfarande	Poolroboten stoppar av hinder eller av stora veck i poolduken	Kontrollera om det finns någonting som hindrar rengöraren. Ta bort föremålet.
	Poolroboten blir stoppad av huvudavloppet på poolbotten	Stäng av filtreringssystemet enligt anvisningarna i bruksanvisningen.
Vridhuvudet roterar upprepade gånger	Luft har samlats inuti poolroboten	Vridhuvudet kan rotera upprepade gånger i några minuter när poolroboten sjunker till poolbotten. Detta fenomen kommer att sluta när luften som samlats inuti poolroboten gradvis släpps ut. Poolroboten kommer då att börja röra sig regelbundet.
Poolroboten täcker inte hela poolen	Skräpbehållaren är full	Rengör skräpbehållaren
	Driftstiden är kortare än väntat	Rengör filterbehållaren och ladda poolroboten i 6 timmar
	Flyttningsriktningen avbryts av vattencirkulationen genererad av filtreringssystemet	Stäng av filtreringssystemet (enligt anvisningarna i bruksanvisning över filtreringssystemet) minst 15 minuter innan poolroboten används.
	Hjulen har fastnat	Kontrollera och ta bort skräpet från hjulet.
	Låsstiftets position är inte korrekt inställt.	Följ instruktionerna för att justera låsstiftets position.
	Alger gör poolgolvet glatt vilket resulterar i att poolroboten går i cirklar	Skrubba poolbotten och poolrobotens hjul för att ta bort algerna
Poolroboten rör sig långsamt med poolväggen	Låsstiftets position är inte korrekt inställt/poolrobotens riktning är fel vid start	Följ instruktionerna för att justera låsstiftets inställning. Säkerställ att poolrobotens framsida/baksida är riktad mot poolväggen vid start.
Poolroboten rör sig långsamt eller inte alls	Skräpbehållaren är full eller filterhöljet igensatt	Rengör skräpbehållaren. Spola filtret med vatten för att avlägsna små partiklar. Om det anses nödvändigt att rengöra med borste, använd en mjuk borste och rengör filtret försiktigt. <b>Obs:</b> säkerställ att filterhöljet sitter på plats innan nästa användning
	Sugmunstycket är igensatt	Avlägsna igentäppande objekt från sugmunstycket
	Impellern har fastnat	Stäng av poolroboten och titta i hålet under vridhuvudet för att se om impellern har fastnat på grund av större skräpbitar. För assistans, besök hjälpavdelningen på vår webbplats, <a href="http://www.bestwaycorp.com">www.bestwaycorp.com</a> . <b>WARNING!</b> Se till att poolroboten är avstängd innan enheten underhålls.

	Sidoklaffen kommer inte upp	Kontrollera och ta bort eventuell skräp som hindrar klaffens rörelse.
	Vridhuvudets undersida har fastnat	Lossa vridhuvudet och friktionsringen enligt instruktionerna i avsnittet "Hur batteriet ska avlägsnas" i bruksanvisningen, och: - Ta bort skräp som fastnat - Säkerställ att friktionsringen på bottenplattan är korrekt installerad (se diagrammen nedan) - Kontrollera friktionsringen för eventuella skador och slitage. Ersätt med en ny vid behov
Vridhuvudet roterar inte eller roterar märkbart långsamt		
Skräp tar sig ut från poolroboten	Sugmunstyckets klaff (på rengörarens undersida) är skadad	Sugmunstyckets klaff fungerar som en dörr för att förhindra att skräpet tar sig ut från skräpbehållaren. För assistans, besök hjälpavdelningen på vår webbplats, <a href="http://www.bestwaycorp.com">www.bestwaycorp.com</a> .
	Skräp har täppt till sugmunstycket och förhindrar att klaffen stängs	Avlägsna skräpet från sugmunstycket.
Skräp tar sig utanför filterhöljet	Filterhöljets nät är skadat/överslagat	Ersätt med ett nytt filterhölje. För assistans, besök hjälpavdelningen på vår webbplats, <a href="http://www.bestwaycorp.com">www.bestwaycorp.com</a> .
Runt flöte sjunker	Flötet är sönder och vatten kommer in	Ersätt med ett nytt flöte. För assistans, besök hjälpavdelningen på vår webbplats, <a href="http://www.bestwaycorp.com">www.bestwaycorp.com</a> .
Robotdrift varar kortare än angivet	Batteriet är inte helt laddat	Ladda poolroboten minst 6 timmar.
Poolroboten kan inte laddas/återuppladdas	Batteriet är skadat	För assistans, besök hjälpavdelningen på vår webbplats, <a href="http://www.bestwaycorp.com">www.bestwaycorp.com</a> . <b>WARNING! ERSÄTT INTE</b> batteriet själv. Det kan resultera i allvariga eller livshotande skador och garantin blir även ogiltigförklarad.
	Uppladdningsbasen är fullständigt ansluten med extern adapter och poolrobot	Se till att uppladdningsbasen är korrekt och fullständigt ansluten till den externa adaptern och poolroboten. Se anvisningarna i bruksanvisningen.
	Den externa adaptern fungerar inte	För assistans, besök hjälpavdelningen på vår webbplats, <a href="http://www.bestwaycorp.com">www.bestwaycorp.com</a> . <b>WARNING!</b> Genom användning av fel extern adapter kan skada uppkomma på poolroboten/batteriet och därmed kommer garantin ogiltigförklarad.

For support please visit us at:  
**[bestwaycorp.com/support](http://bestwaycorp.com/support)**

©2020 Bestway Inflatables & Material Corp.

All rights reserved/Tous droits réservés/Todos los derechos reservados/Alle Rechte vorbehalten/Tutti i diritti riservati

®™ Trademarks used in some countries under license to/

Marques ®™ utilisées dans certains pays sous la licence de/

Marcas comerciales ®™ utilizadas en algunos países bajo la licencia de/

®™ Die Warenzeichen werden in einigen Ländern verwendet unter Lizenz der/

®™ Marchi utilizzati in alcuni paesi concessi in licenza a

**Bestway Inflatables & Material Corp., No.3065 Cao An Road, Shanghai, 201812, China.**

Manufactured, distributed and represented in the European Union by/

Fabriqué, distribué et représenté dans l'Union Européenne par/Fabricado, distribuido y representado en la Unión Europea por/

Hergestellt, vertrieben und in der Europäischen Union vertreten von/Prodotto, distribuito e rappresentato nell'Unione Europea da

**Bestway (Europe) S.r.l., Via Resistenza, 5, 20098 San Giuliano Milanese (Milano), Italy**

Distributed in North America by/Distribué en Amérique du Nord par/Distribuido en Norteamérica por

**Bestway (USA) Inc., 3411 E. Harbour Drive, Phoenix, Arizona 85034, United States of America**

Tel: +86 21 69135588 (For U.S. and Canada)

Distributed in Latin America by/Distribué en Amérique latine par/Distribuido en Latinoamérica por/Distribuido na América Latina por

**Bestway Central & South America Ltda, Salar Ascotan 1282, Parque Enea, Pudahuel, Santiago, Chile**

Distributed in Australia & New Zealand by **Bestway Australia Pty Ltd, Unit 2/98-104 Carnarvon St Silverwater, NSW 2128, Australia**

Tel: Australia: (+61) 29 0371 388; New Zealand: 0800 142 101

Exported by/Exporté par/Exportado por/Exportiert von/Esportato da

**Bestway (Hong Kong) International Ltd./Bestway Enterprise Company Limited**

Suite 713, 7/Floor, East Wing, Tsim Sha Tsui Centre, 66 Mody Road, Kowloon, Hong Kong

**[www.bestwaycorp.com](http://www.bestwaycorp.com)**

**Bestway**